

**MS436124CEMFGN, MW4363046CEMFGN(A), MW4363056CEMFGN(A), MW4363074CEMFGN & MW4363084CEMFGN**

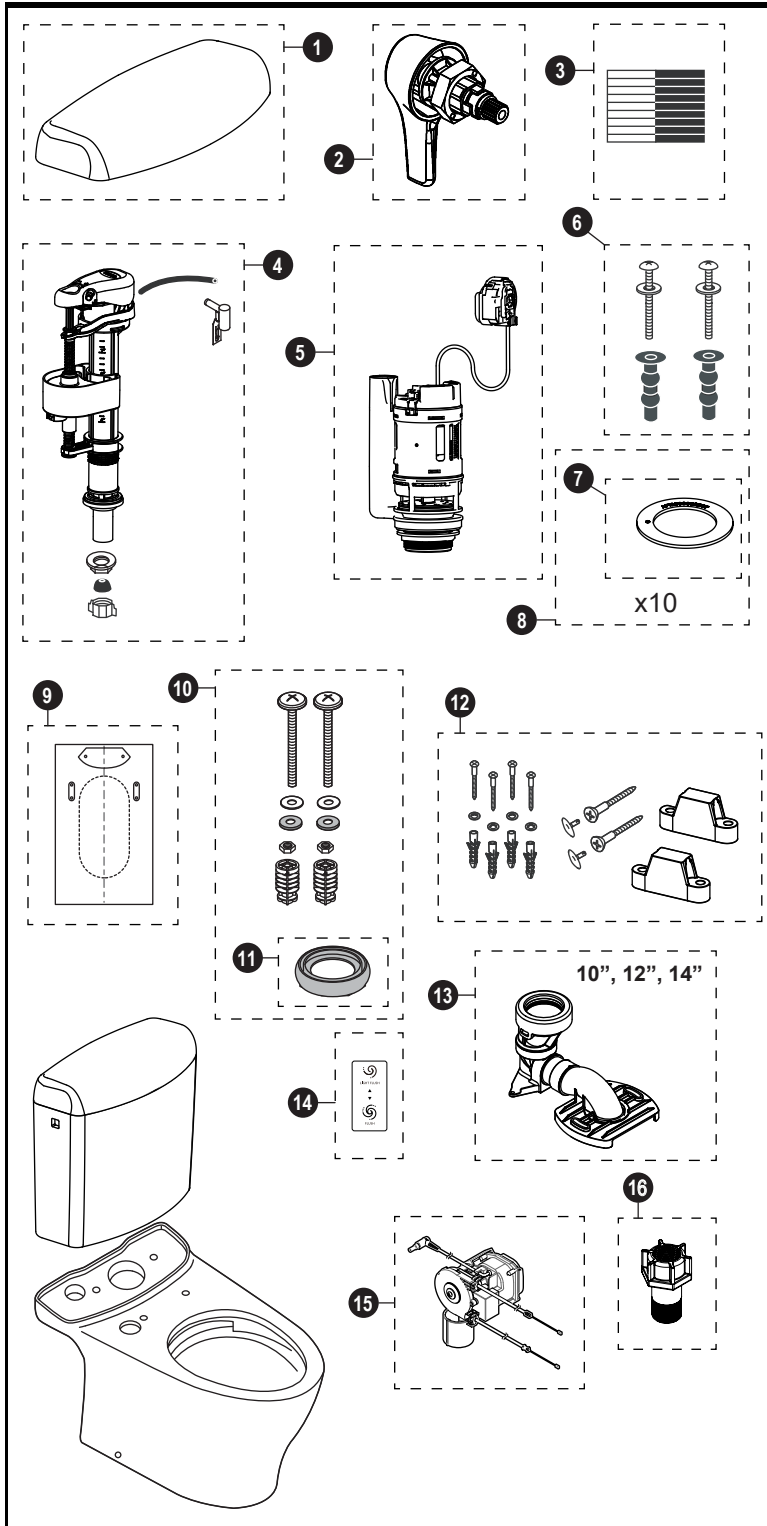
MS436124CEMFGN  
CT446CEFGNT40  
ST436EMNA  
SS124

MW4363046CEMFGN(A)  
CT446CEFGNT40  
ST436EMNA  
SW3046AT40

MW4363056CEMFGN(A)  
CT446CEFGNT40  
ST436EMNA  
SW3056AT40

MW4363074CEMFGN  
CT446CEFGNT40  
ST436EMNA  
SW3074T40  
MW4363084CEMFGN  
CT446CEFGNT40  
ST436EMNA  
SW3084T40

**Aquia IV® Cube**  
**1.28 & 0.9 Gpf Toilet, Elongated, Universal Height**  
**DYNAMAX TORNADO FLUSH®, Unifit Rough-in,**  
**(CEFIONTECT® & Auto Flush compatible)**



Item	Part	Description
1	TCU436CRE#01	Tank Lid - Cotton
2	THU806#CP-A	Left Hand Trip Lever - Chrome Plated
	THU816#CP-A	Right Hand Trip Lever - Chrome Plated
3	THU107	Velcro Tape
4	TSU803.13-A	Fill Valve
5	THU837-A	Flush Valve Assembly, 1.28 / 0.9 GPF
	THU838-A	Flush Valve Assembly, 1.28 / 0.9 GPF, RH Trip Lvr
6	THU651N	Seat Top Mounting Hardware
7	9BU112E-A	Seal Gasket for Flush Valve (1 piece)
8	THU744	Seal Gasket for Flush Valve (10 pieces)
9	0GU181-1-A	12" Unifit Rough-in Template
	0GU182-1-A	10" & 14" Unifit Rough-in Template
10	THU741-A	Tank to Bowl Mounting Hardware
11	9BU109E-A	Tank to Bowl Gasket
12	THU742#01-A	Toilet Mounting Hardware
13	TSU48.10	Unifit Rough-in 10"
	TSU48.12	Unifit Rough-in 12"
	TSU48.14	Unifit Rough-in 14"
14	0EU148-A	Dual Flush Sticker (Top of Lid)
15	THU765	Autoflush Unit for Dual Flush
16	9AU321-A	Fill Valve extension adapter

**Note:**

**Product Number Explanations**

Two-Piece Toilet	Tank	Bowl
(MS) Toilet & Seat Combo (MW) Toilet & Washlet® Combo (N) New Water Spot	(ST) Tank (436) Model (E) 1.28 Gpf / 0.9 Gpf (M) DUAL-MAX® (R) Right Hand Trip Lever (A) Auto Flush Compatible (N) New Water Spot	(CT) Bowl (446) Model (C) DYNAMAX TORNADO FLUSH® (F) Universal Height (G) CEFIONTECT® (T40) WASHLET®+ (N) New Water Spot

Actual Product may vary slightly from illustration.