

**CST974CEFGAT40, MS974224CEF(G), MW9743074CEFG, MW9743084CEFG, MW9744724CEFG(A),
MW9744734CEFG(A)**

MS974224CEF(G)
CST974CEF(G)
SS224

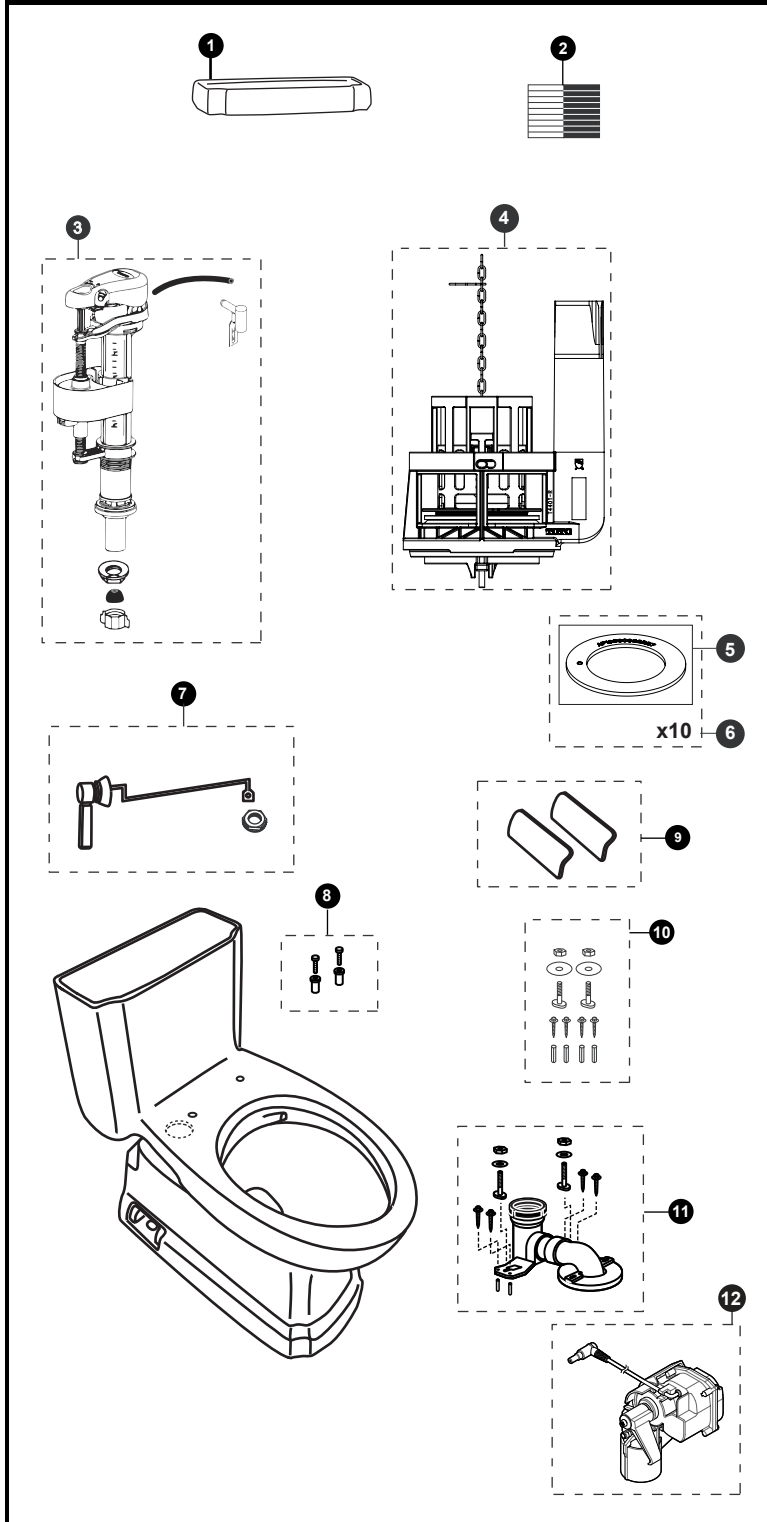
MW9743074CEFG
CST974CEFGAT40
SW3074T40

MW9743084CEFG
CST974CEFGAT40
SW3084T40

MW9744724CEFG(A)
CST974CEFGAT40
SW7424AT40

MW9744734CEFG(A)
CST974CEFGAT40
SW4734AT40

**Guinevere WASHLET®+
1.28 Gpf Toilet, Elongated,
TORNADO FLUSH®, UniFit Rough-In,
Universal Height, (including CEFIONTECT® & Auto Flush)**



| Item | Part | Description |
|------|--------------|--|
| 1 | TCU974CRE#01 | Tank Lid w/ Velcro Tape - Cotton |
| | TCU974CRE#03 | Tank Lid w/ Velcro Tape - Bone |
| | TCU974CRE#11 | Tank Lid w/ Velcro Tape - Colonial White |
| | TCU974CRE#12 | Tank Lid w/ Velcro Tape - Sedona Beige |
| | TCU974CRE#51 | Tank Lid w/ Velcro Tape - Ebony |
| 2 | THU107 | Velcro Tape |
| 3 | TSU81.30-A | Fill Valve |
| 4 | THU861-A | Flush Valve |
| 5 | THU407 | Seal Gasket (1 piece) |
| 6 | THU370 | Seal Gasket (10 piece) |
| 7 | THU458#CP | Trip Lever - Chrome Plated |
| | THU458#PN | Trip Lever - Polished Nickel |
| | THU458#BN | Trip Lever - Brushed Nickel |
| | THU458#01 | Trip Lever - Cotton |
| 8 | THU651N | Top Mount Seat Hardware |
| 9 | TCU974CV#01 | Side Plate w/ Velcro Tape - Cotton |
| | TCU974CV#03 | Side Plate w/ Velcro Tape - Bone |
| | TCU974CV#11 | Side Plate w/ Velcro Tape - Colonial White |
| | TCU974CV#12 | Side Plate w/ Velcro Tape - Sedona Beige |
| | TCU974CV#51 | Side Plate w/ Velcro Tape - Ebony |
| 10 | THU020N | Rough-in Mounting Hardware |
| 11 | TSU03W.12R | 12" Modular Rough-In (Standard) |
| | TSU03W.10R | 10" Modular Rough-In |
| | TSU03W.14R | 14" Modular Rough-In |
| 12 | THU857 | Auto Flush unit for single flush |

Note:

Product Number Explanations

One-Piece Toilet

| | |
|-----------------------------------|---------------------------|
| (CST) Gravity Type Toilet | (4724) Washlet Model |
| (MS) Toilet and Seat Combination | (4734) Washlet Model |
| (MW) Toilet & Washlet Combination | (A) Auto Flush compatible |
| (T40) WASHLET®+ | (C) Tornado Flush™ |
| (974) Toilet Model | (E) 1.28 Gpf / 4.8 Lpf |
| (224) Seat Model | (F) Universal Height |
| (3074) Washlet Model | (G) CEFIONTECT® |
| (3084) Washlet Model | |

Actual Product may vary slightly from illustration.