

## UX PEARL BIDET TOILET SEAT

### FEATURES

- Rear Wash
- Front Feminine Wash
- Wireless Remote Control w/ Wall Mount
- Nozzle Oscillation
- Warm Air Dryer w/ Adjustable Temp
- Heated Seat w/ Adjustable Temp
- 2 Programmable User Presets
- Photocatalyst Deodorizer
- Pure Breeze Bowl Sterilization
- Backlit Side Control Knob
- Sittable Lid
- Seat Sensor
- Pulse Spray
- Adjustable Nozzle Position
- Adjustable Water Temp
- Adjustable Spray Pressure
- LED Nightlight
- Power Saving Mode
- Stainless Steel Wash Nozzle
- Self-Cleaning Nozzle
- 1 Touch Programmable Auto Wash & Dry
- 1 Touch Easy Wash (Full Pressure Rear Wash w/Oscillation)

### PRODUCT DESCRIPTION

The Alpha UX Pearl is a next generation luxury bidet toilet seat from Alpha Bidet. It effortlessly blends the latest in hygiene technology with an ultra slim design. It is powered by an energy efficient, tankless water heating system. This instant heater provide endless, on demand warm water with consistent temperatures. At just 4.5" tall in the rear, the UX Pearl is slimmer than the vast majority of bidet seats on the market. It is designed to be both easy to use and extremely customizable for each individual user. The Alpha UX Pearl has gone through rigorous independent laboratory testing and received quality certifications for both commercial and residential applications.

### WARRANTY

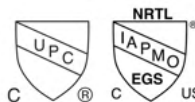
**Residential:** 3 year full manufacturer's warranty that covers 100% of parts and labor costs from the date of purchase.

**Commercial:** 1 year full manufacturer's warranty that covers 100% of parts and labor costs from the date of purchase.



### CODES/STANDARDS

- Meets and exceeds: ASME A112.4.2-2015/CSA B45.16-15 (R2020), UL 1431, 3rd Edition, CSA C22.2 No. 68-18, CSA C22.2 No. 64-19
- Certifications: IAPMO (cUPC)
- Code Compliance: Uniform Plumbing Code (UPC), National Plumbing Code of Canada



## UX PEARL BIDET TOILET SEAT

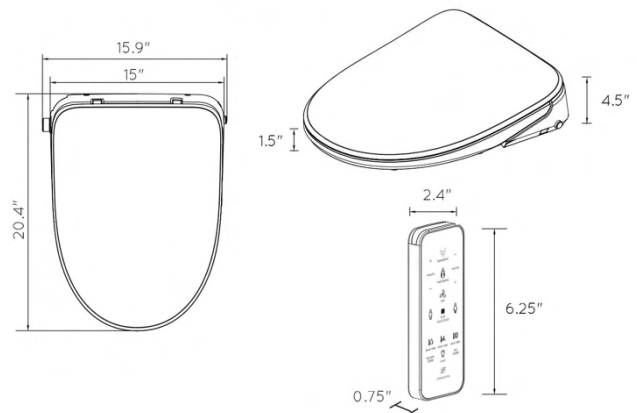
### SPECIFICATIONS

Power Rating	AC 120 V 60 Hz
Power Consumption	1288W
Max Power Consumption	1444W
Power Cord Length	3.94 ft (1.2 m)
Spray Volume	Rear Cleansing: 0.08 - 0.11 gal/min Rear Soft Cleansing: 0.08 - 0.11 gal/min Front Cleansing: 0.08 - 0.11 gal/min Wide Front Cleansing: 0.08 - 0.11 gal/min
Spray Features	Adjustable Surface Temp: 86 - 104 °F (30 - 40 °C) Safety Device: Temperature Fuse
Warm Air Dryer Features	Adjustable Air Temp: 95 - 140 °F (35 - 60 °C) Airflow Volume: 10.24 ft <sup>3</sup> /min (0.29 m <sup>3</sup> /min) Safety Device: Temperature Fuse
Heated Seat Features	Adjustable Surface Temp: 82 - 97 °F (28 - 36 °C) Safety Device: Temperature Fuse
Water Supply Pressure	Minimum: 7.25 PSI (Dynamic) Maximum: 108.75 PSI (Static)
Ambient Temp.	32 - 104 °F (0 - 40 °C)
Warranty	One Year Limited Warranty
Shipping Weight	16 lbs
Shipping Dimensions	23-1/2"L x 18-1/2"W x 6-1/2"H

### INSTALLATION NOTES

- The Alpha UX Pearl fits all elongated 2 piece toilets and most 1 piece toilets, excluding those with French curve design.
- Requires a 15A GFCI outlet. Does not need to be a dedicated circuit.

### DIMENSIONS



### TOILET REQUIREMENTS

