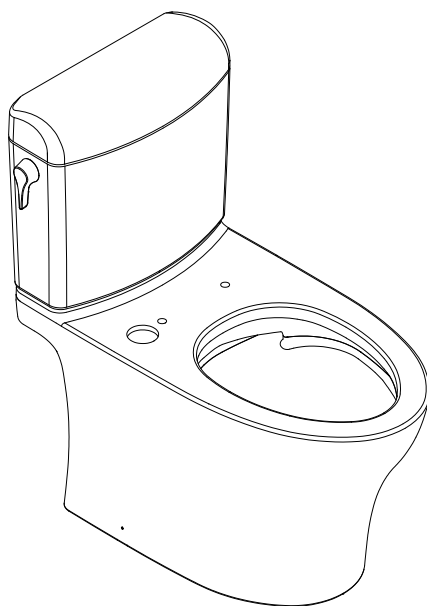


Dual-flush Toilet

Inodoro de doble descarga

Toilettes à double chasse d'eau



CST436
CST448

- * Actual parts may appear different from drawing according to the model.
- * El producto real puede variar en apariencia dependiendo del modelo.
- * Le produit réel peut varier en apparence en fonction du modèle.

Warranty Registration and Inquiry

For product warranty registration, TOTO U.S.A. Inc. recommends online warranty registration. Please visit our web site <http://www.totousa.com>. If you have questions regarding warranty policy or coverage, please contact TOTO U.S.A. Inc., Customer Service Department, 1155 Southern Road, Morrow, GA 30260 (888) 295-8134 or (678) 466-1300 when calling from outside of U.S.A.

TABLE OF CONTENTS

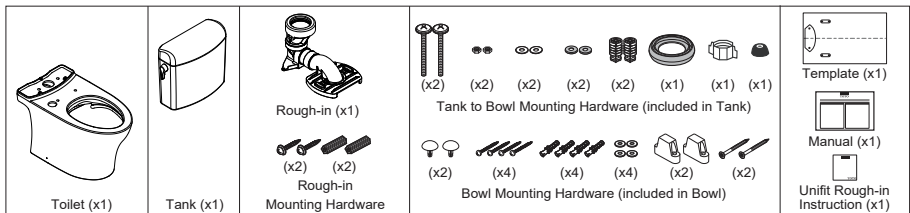
Thanks for Choosing TOTO®!	2
Included Parts	2
Common Tools Needed	2
Before Installation	3
Installation Procedure	4
Maintenance Instruction	7
Care and Cleaning	8
Replacing the Fill Valve	8
Adjusting the Water Level	8
Servicing Fill Valve	9
Servicing Flush Tower	10
CEFIONTECT® Cleaning Instructions	10
Warranty	11

THANKS FOR CHOOSING TOTO!

The mission of TOTO is to provide the world with healthy, hygienic and more comfortable lifestyles. We design every product with the balance of form and function as a guiding principle. Congratulations on your choice.

INCLUDED PARTS

Check to make sure you have the following parts included in your package*:



COMMON TOOLS NEEDED

- | | |
|--|---|
| <ul style="list-style-type: none"> ■ 10" adjustable wrench ■ Carpenters' level ■ Tape measure ■ Hand pliers ■ Flat head screwdriver ■ Phillips screwdriver ■ Pencil | <ul style="list-style-type: none"> ■ Putty knife ■ Drill ■ Drill bits (mounting block) <p>For wood floor installation:
- 11/16" drill bit</p> <p>For concrete/tile installation:
- 5/16" drill bit</p> |
|--|---|

MATERIALS REQUIRED:

(Not Included)

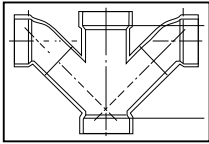
- Flexible supply hose
- Angle stop valve (1/2" compression to 7/8" Ballcock)
- Wax ring
- Toilet Seat

BEFORE INSTALLATION

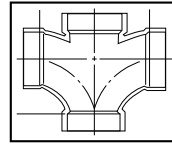
- Read these instructions thoroughly before beginning work.
- Please leave instructions for customers. These instructions contain maintenance and warranty information.
- If necessary, remove the existing toilet and if new construction, purge the supply line.

NOTICE

Due to the powerful performance of our Tornado, G-Max, E-Max and Power Gravity flushing systems, they are not specified for back-to-back installations. The only means of installing these toilets in a back-to-back situation is when the toilet drain connections incorporate a WYE fitting. Please contact your builder or contractor prior to this installation.



Double Combination WYE / 1/8 Bend
YES

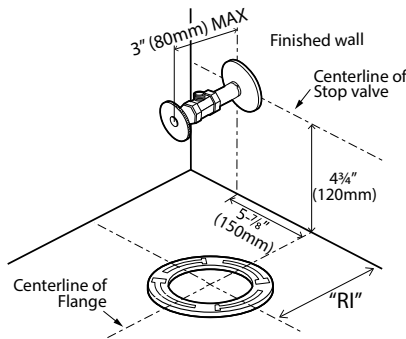


Double Sanitary Tee / Sanitary Cross
NO

Water supply shut-off valve installation recommendations

Follow these recommendations to ensure an optimal and trouble-free installation with a neat and professional appearance.

Location (From floor and left of center of floor flange)	4-3/4" x 4-3/4" (120mm x 120mm)
Valve type	Angle stop type valve with supply connection facing upward, inward, or downward NOTE: Straight stop type valve, or valve with supply connection on front of angle stop, is not recommended
Maximum length	Angle stop must not protrude more than 3" (80mm) from wall



ENGLISH

INSTALLATION PROCEDURE

ENGLISH

1. Open the Unifit Rough-In packaging. Follow the Installation instruction to complete the installation (ill. 1).
2. Place the template into position and follow its instructions to prepare for installing the toilet bowl.

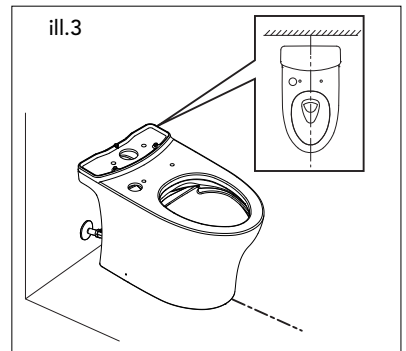
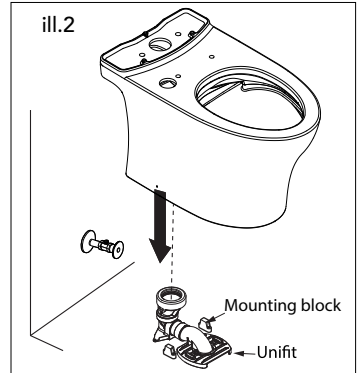
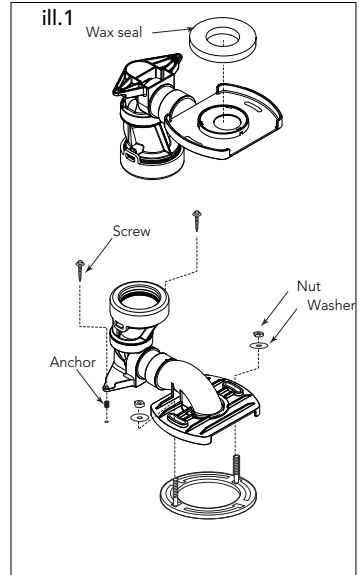
NOTICE Do not move the Unifit Rough-In on the Floor Flange after wax seal is set. If this notice is disregarded, discard the wax ring and replace with new wax ring.

3. Place the toilet bowl over the Unifit Rough-In and the two mounting blocks, by aligning the bowl outlet with the Unifit Rough-In opening (ill. 2).

NOTICE Insert the toilet all the way into position. If this notice is disregarded, leakage may result.

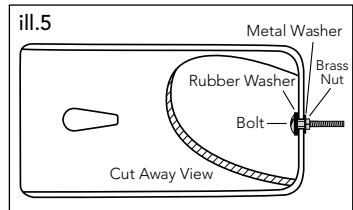
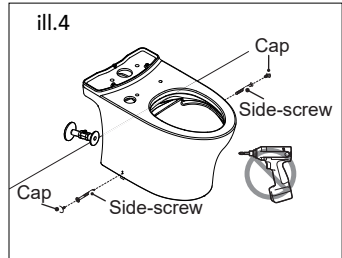
NOTICE Check for rocking. If needed, use shims to prevent the toilet from rocking.

4. Align the toilet perpendicular to the back wall and parallel to side walls; it should not sit crooked or diagonal (ill. 3).



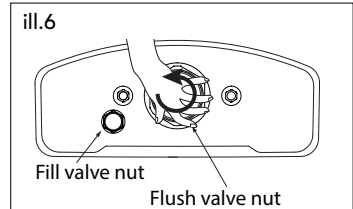
INSTALLATION PROCEDURE

5. Install the side screws to the mounting blocks. Cover the screw head with the provided screw caps (ill. 4).
6. Install the tank-to-bowl mounting hardware to the tank (ill. 5). Lay the tank down on its back. Place a rubber washer onto a bolt. Reach inside the tank and position the bolt through one of the holes in the bottom of the tank. On the outside of the tank, place a metal washer and nut onto the bolt. Hold the bolt centered in the hole and tighten the nut finger tight. Turn the nut an additional 1/2 turn with a wrench. Repeat this process for the remaining hole in the tank.



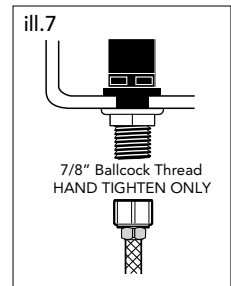
CAUTION Do NOT overtighten hardware, as it may break the china and cause personal injury or property damage.

7. Place the tank upside down onto some padding. Inspect the smaller fill valve nut and larger flush valve nut for a secure connection (ill. 6). Try to tighten the nuts with your hands. If loose, tighten the nut hand tight and an additional 1/4 turn for the smaller fill valve nut and an additional 1/2 turn for the larger flush tower nut.



NOTICE Make sure that the fill valve does not turn and hit the tank while tightening.

8. Connect the water supply hose to the fill valve threads as seen at the bottom of toilet tank (ill. 7). Tighten this connection finger tight.



NOTICE The water supply hose must be connected to the fill valve BEFORE the tank-to-bowl installation. TOTO recommends using a longer flexible supply hose.

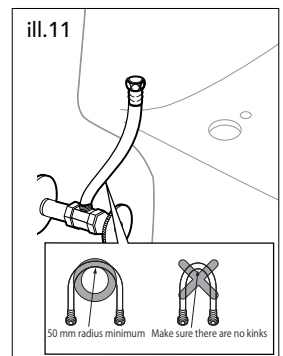
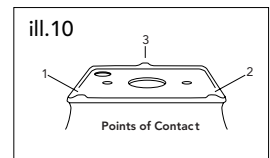
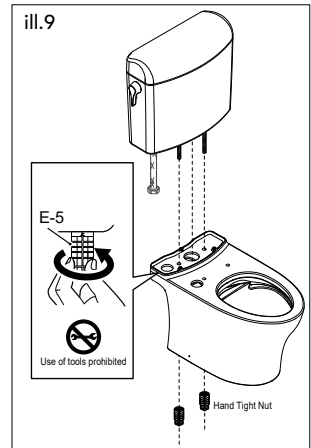
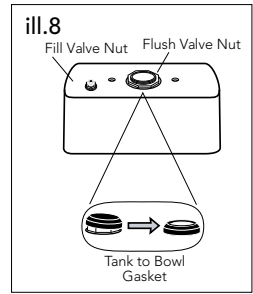
INSTALLATION PROCEDURE

- Place the tank-to-bowl gasket onto the flush tower nut (ill. 8). While pressing down, spread the gasket over the nut until the gasket touches the bottom of the tank. A slight gap between the tank bottom and the gasket is allowable.
- Pick up the tank and carefully guide the water supply hose into the bowl's fill valve hole, align the tank-to-bowl gasket over the inlet of the bowl, and align the tank bolts over the bolt holes of the bowl. (ill.9)
- Using provided hand-tight nuts, hand tighten the nuts evenly until tank sets snugly on each of the 3 contact points on the bowl (ill. 10). Do not overtighten. Overtightening may break the china and cause personal injury and/or property damage.
- Flush the water supply line for a few seconds to remove any debris that may enter the new fill valve. (For new home constructions and/or additions, flush the water supply line for more than a minute to help remove any residual PVC adhesives, solder flux, and/ or pipe sealants that were used for the new plumbing.)
- Install the flexible water supply hose to the angle stop (ill. 11). Make sure that the hose is free of kinks.
- Carefully place the lid on top of the tank.

NOTE: The water supply pressure should be 20 to 80 psi static.

- Flush toilet a few times to check for issues and leaks. Make sure **NO WATER LEAK** on bowl and tank.

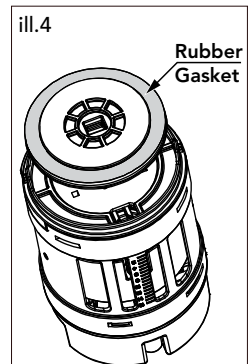
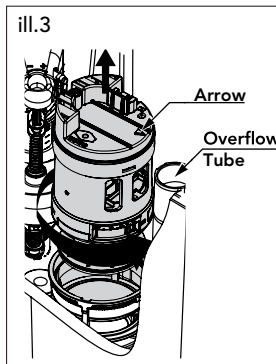
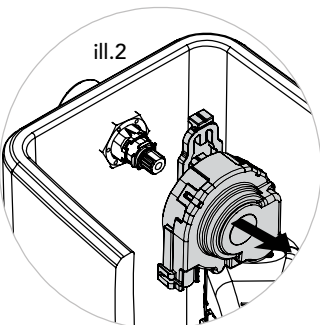
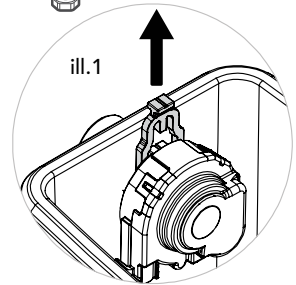
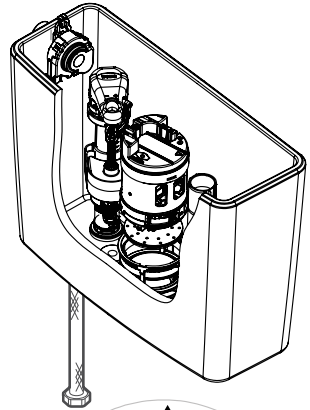
CAUTION: Avoid using a wrench to tighten the connection as you may damage the plastic threads and/or cause the fill valve to rotate inside the tank.



MAINTENANCE INSTRUCTIONS

Replacing the Flush Tower

1. Turn off water supply and flush the toilet.
2. Remove the tank lid and place it upside down on a clean surface. Remove the remaining water from tank with a sponge.
3. Pull the clip on top of trip lever gear box as shown. (ill. 1)
4. Pull gear box away. (ill. 2)
5. Rotate flush tower until arrow aligns with overflow tube and then pull up to remove. (ill. 3)
6. Remove the grey rubber seal gasket and rinse under running water to clean. (ill. 4)
7. Place the gasket back on the flush tower.
8. Align and place the flush tower into housing and rotate to lock into place.
9. Replace the trip lever gear box and push down on lever to lock it in place.
10. Carefully install the tank lid back on the tank.
11. Flush the toilet several times making sure the trip lever operates normally.
12. Check the water level in the tank and inspect for signs of any leakage.



CARE AND CLEANING

Use a detergent or non-abrasive toilet cleaner and a soft bristled plastic brush to clean your toilet. To remove hard water stains, use vinegar or lime dissolving cleaner and a non-scratch scour pad made for porcelain. Allow a little contact time to allow the cleaner to dissolve the buildup.



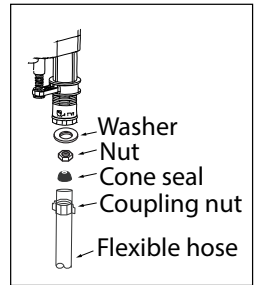
NOTICE

DO NOT USE IN-TANK BOWL CLEANERS.

The use of high concentration of chlorine or chlorine-related products can seriously damage fittings in the tank. This damage can cause leakage and property damage. TOTO shall not be responsible or liable for any tank fitting failure or damage caused by the use of in-tank bowl cleaners.

REPLACING THE FILL VALVE

1. Shut off the water supply. Flush the toilet and remove any remaining water from the tank. Reverse the tank installation instructions to remove it from the bowl. Remove the refill tube from the overflow tube and fill valve. Note the orientation of the fill valve. Remove the old fill valve.
2. Install new fill valve by sliding the threaded portion of the shaft through the hole in the bottom of tank.
3. Thread mounting nut onto exposed shaft under the tank and tighten nut. Check fill valve orientation.



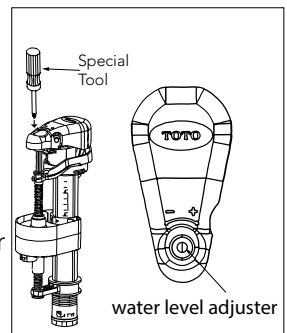
⚠CAUTION Do not over-tighten.

4. Connect the water supply (Ill. 1). Pipe dope is not recommended. Attach the refill tube to the fill valve and clip the other end to the overflow pipe.

ADJUSTING THE WATER LEVEL

Refer to the water level line stamp inside the tank.

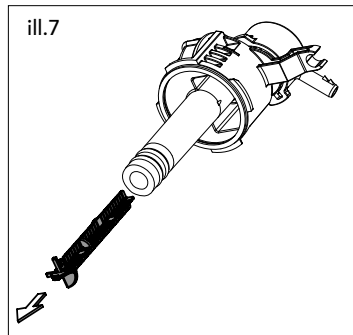
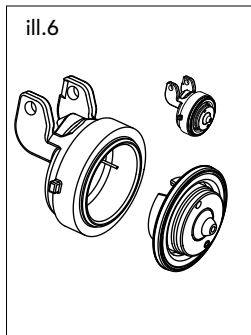
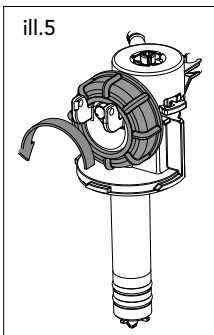
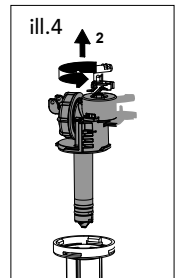
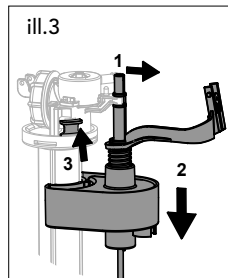
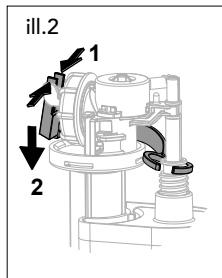
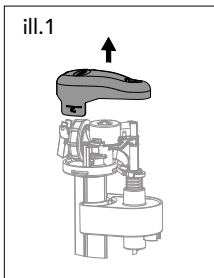
1. The water level adjustment is located in the top end of the fill valve. Use a flathead screwdriver to make adjustments:
 - To raise the water level: turn the screwdriver clockwise, or towards the '+' indicator.
 - To lower the water level: turn the screwdriver counter-clockwise, or towards the '-' indicator.
2. Flush after each adjustment to check the water level. When satisfied with the water level, flush once more to verify.



SERVICING THE FILL VALVE

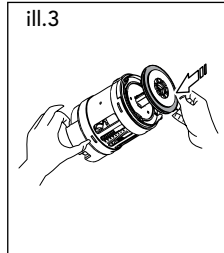
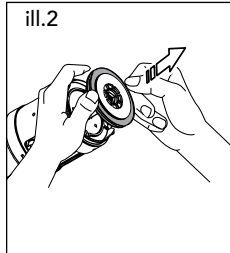
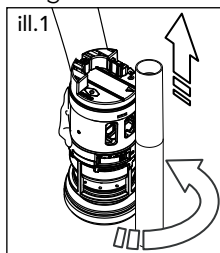
NOTE: Due to water conditions in your area, the strainer may require periodic cleaning. An indication that the strainer requires service can be seen in a delayed fill cycle, intermittent fill cycle, or inadequate amount of water flow from the refill tube.

1. Snap off the top cover by pulling from under the tab (ill. 1).
2. Pinch the tabs of the lever arm to allow its removal (ill. 2).
3. Snap off the adjustable rod from the bracket allowing the unit to slide to the bottom and remove the retainer tab by pulling as the arrow indicates (ill. 3).
4. Grab hold of the valve unit, twist 1/4 turn counterclockwise and pull the unit out (ill. 4).
5. Unscrew nut of the diaphragm housing (ill. 5).
6. Remove the diaphragm from its housing by carefully pulling the edge of the diaphragm (ill. 6). Note the position of the diaphragm while removing.
7. Remove the strainer from the tube with needle nose pliers (ill. 7). Use twisting motion while pulling to help with removal.
8. Rinse all parts under running water to clear any debris, residues or films. Reinstall all parts in reverse order. Turn the water ON and check for leaks and operation.



SERVICING THE FLUSH TOWER

1. Turn off water supply and flush the toilet.
2. Remove the tank lid and place it upside down on a clean surface.
3. Note the orientation of the flush tower for reassembly.
4. Rotate the upper half of the flush tower so the arrow points towards the overflow tube and pull it up to remove it (ill. 1)
5. Remove the rubber seal gasket and rinse under running water to clean (see Ill. 2). Place the gasket back on the flush tower (Ill. 3).
6. Align arrow with the overflow tube and install the flush tower back on the base.
7. Rotate the flush tower to the same orientation (step 3).
8. Carefully, install the tank lid back on the tank.
9. Flush the toilet several times to verify proper operation. Check for leakage.

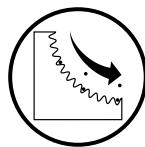


CEFIONTECT® CLEANING INSTRUCTIONS



WHAT IS CEFIONTECT®?

CEFIONTECT® is TOTO's super-smooth permanent glaze that prevents debris from sticking to surfaces. Products with the letter "G" in the number have the CEFIONTECT® glaze. This glaze, along with regular cleaning, will help keep your TOTO product in pristine condition.



No CEFIONTECT®



With CEFIONTECT®



NOTE:

For best results to keep your TOTO product with CEFIONTECT® clean:

- Lavatory: Use a mild dish detergent with a clean, soft cloth.
- Toilet: Use a gel based cleaner with a soft bristled-plastic brush.
- **Don't use** cleaners, polishing powders or detergents that have gritty or coarse particles.
- **Don't use** bleach, chemical thinners or products that have acid or alkaline detergents listed as ingredients.
- **Don't use** metal scrub brushes or steel wool.

Following these instructions will ensure that your TOTO product with the CEFIONTECT® glaze will always stay intact, keeping your product like new for years to come!

WARRANTY

1. TOTO warrants its vitreous china products ("Product") to be free from defects in materials and workmanship during normal use when properly installed and serviced, for a period of one (1) year from date of purchase. This limited warranty is extended only to the ORIGINAL PURCHASER of the Product and is not transferable to any third party, including but not limited to any subsequent purchaser or owner of the Product. This warranty applies only to TOTO Product purchased and installed in North, Central and South America.
2. TOTO's obligations under this warranty are limited to repair, replacement or other appropriate adjustment, at TOTO's option, of the Product or parts found to be defective in normal use, provided that such Product was properly installed, used and serviced in accordance with instructions. TOTO reserves the right to make such inspections as may be necessary in order to determine the cause of the defect. TOTO will not charge for labor or parts in connection with warranty repairs or replacements. TOTO is not responsible for the cost of removal, return and/or reinstallation of the Product.
3. This warranty does not apply to the following items:
 - a. Damage or loss sustained in a natural calamity such as fire, earthquake, flood, thunder, electrical storm, etc.
 - b. Damage or loss resulting from any accident, unreasonable use, misuse, abuse, negligence, or improper care, cleaning, or maintenance of the Product.
 - c. Damage or loss resulting from sediments or foreign matter contained in a water system.
 - d. Damage or loss resulting from improper installation or from installation of the Product in a harsh and/or hazardous environment, or improper removal, repair or modification of the Product. (NOTE: Product model codes allow a maximum of 80 PSI. Check local codes or standards for requirements).
 - e. Damage or loss resulting from electrical surges or lightning strikes or other acts which are not the fault of TOTO or which the Product is not specified to tolerate.
 - f. Damage or loss resulting from normal and customary wear and tear, such as gloss reduction, scratching or fading over time due to use, cleaning practices or water or atmospheric conditions.
 - g. Tank flushing mechanisms of plastic or rubber moving parts.
 - h. Toilet seats of plastic, wood or metal.
4. In order for this limited warranty to be valid, proof of purchase is required. TOTO encourages warranty registration upon purchase to create a record of Product ownership at <http://www.totousa.com>. Product registration is completely voluntary and failure to register will not diminish your limited warranty rights.
5. THIS WARRANTY GIVES YOU SPECIFIC LEGAL RIGHTS. YOU MAY HAVE OTHER RIGHTS WHICH VARY FROM STATE TO STATE, PROVINCE TO PROVINCE OR COUNTRY TO COUNTRY.
6. To obtain warranty repair service under this warranty, you must take the Product or deliver it prepaid to a TOTO service facility together with proof of purchase (original sales receipt) and a letter stating the problem, or contact a TOTO distributor or products service contractor, or write directly to TOTO U.S.A., INC., 1155 Southern Road, Morrow, GA 30260 (678) 466-1300 or (888) 295-8134, if outside the U.S.A. If, because of the size of the Product or nature of the defect, the Product cannot be returned to TOTO, receipt by TOTO of written notice of the defect together with proof of purchase (original sales receipt) shall constitute delivery. In such case, TOTO may choose to repair the Product at the purchaser's location or pay to transport the Product to a service facility.

WARNING! TOTO shall not be responsible or liable for any failure of, or damage to, this Product caused by either chloramines in the treatment of public water supply or cleaners containing chlorine (calcium hypochlorite). NOTE: The use of a high concentrate chlorine or chlorine related products can seriously damage the fittings. This damage can cause leakage and serious property damage. For more information, please call TOTO at (888) 295-8134

THIS WRITTEN WARRANTY IS THE ONLY WARRANTY MADE BY TOTO. REPAIR, REPLACEMENT OR OTHER APPROPRIATE ADJUSTMENT AS PROVIDED UNDER THIS WARRANTY SHALL BE THE EXCLUSIVE REMEDY AVAILABLE TO THE ORIGINAL PURCHASER. TOTO SHALL NOT BE RESPONSIBLE FOR LOSS OF THE PRODUCT OR FOR OTHER INCIDENTAL, SPECIAL OR CONSEQUENTIAL DAMAGES OR EXPENSES INCURRED BY THE ORIGINAL PURCHASER, OR FOR LABOR OR OTHER COSTS DUE TO INSTALLATION OR REMOVAL, OR COSTS OF REPAIRS BY OTHERS, OR FOR ANY OTHER EXPENSE NOT SPECIFICALLY STATED ABOVE. IN NO EVENT WILL TOTO'S RESPONSIBILITY EXCEED THE PURCHASE PRICE OF THE PRODUCT. EXCEPT TO THE EXTENT PROHIBITED BY APPLICABLE LAW, ANY IMPLIED WARRANTIES, INCLUDING THAT OF MERCHANTABILITY OR FITNESS FOR USE OR FOR A PARTICULAR PURPOSE, ARE EXPRESSLY DISCLAIMED. SOME STATES DO NOT ALLOW LIMITATIONS ON HOW LONG AN IMPLIED WARRANTY LASTS, OR THE EXCLUSION OR LIMITATION OF INCIDENTAL OR CONSEQUENTIAL DAMAGES, SO THE ABOVE LIMITATION AND EXCLUSION MAY NOT APPLY TO YOU.

ÍNDICE

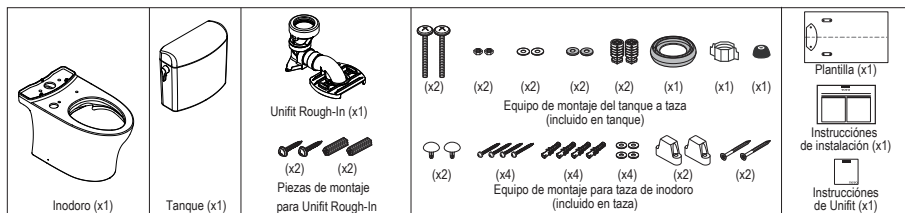
¡Gracias por elegir TOTO®!	12
Partes incluidas	12
Herramientas comunes necesarias	12
Antes de la instalación	13
Procedimiento de instalación	14
Instrucciones de Mantenimiento	17
Cuidado y Limpieza	18
Sustitución de la Válvula de Llenado	18
Ajuste del Nivel de Agua	18
Mantenimiento de la Válvula de Llenado	19
Mantenimiento de la Torre de Descarga	20
Instrucciones de Limpieza CEFIONTECT®	20
Garantía	21

¡GRACIAS POR ELEGIR TOTO!

La misión de TOTO es proporcionar al mundo estilos de vida mas saludables, higiénicos y más cómodos. Diseñamos cada producto con el equilibrio de forma y función. Felicitaciones por su elección.

PARTES INCLUIDAS

Asegúrese de tener todas estas partes del paquete:



HERRAMIENTAS COMUNES NECESARIAS

- | | |
|--|---|
| <ul style="list-style-type: none"> ■ Llave ajustable de 10" ■ Nivel de carpintero ■ Cinta métrica ■ Pinzas ■ Destornillador plano ■ Destornillador Phillips ■ Lapiz | <ul style="list-style-type: none"> ■ Espátula ■ Taladro ■ Brocas de taladro (bloque de montaje) <p>Para instalación en piso de madera:
- Brocas de 11/16"</p> <p>Para instalación en concreto/azulejo:
- Brocas de 5/16"</p> |
|--|---|

MATERIALES NECESARIOS:

(No incluidos)

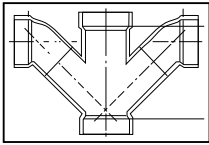
- Manguera flexible de suministro de agua
- Llave de paso ángulo (1/2" compresion a grifo de 7/8")
- Anillo de cera
- Asiento de Inodoro

ANTES DE LA INSTALACIÓN

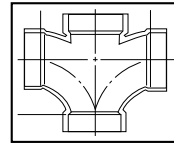
- Lea detenidamente estas instrucciones antes de comenzar el trabajo.
- Deje instrucciones para los clientes. Estas instrucciones contienen información de mantenimiento y de la garantía.
- Si es necesario, retire el inodoro existente y, si se hará una nueva construcción, purgue la línea de suministro.

AVISO

Debido al potente rendimiento de nuestros sistemas de descarga Tornado, G-Max, E-Max y Power Gravity, no están especificados para instalaciones adyacentes. El único medio de instalar estos inodoros en una situación adyacente es cuando las conexiones de drenaje del inodoro incorporan una conexión en Y. Póngase en contacto con su fabricante o contratista antes de realizar esta instalación.



Combinación doble de conexión en Y/codo de 1/8°
SÍ



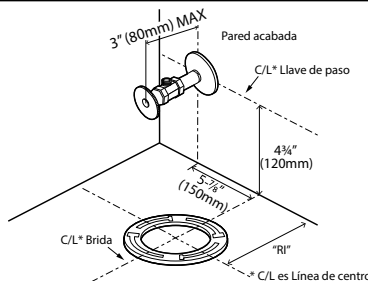
Combinación doble de conexión en Y/codo de 1/8°
NO

ESPAÑOL

Recomendaciones de instalación de la válvula de cierre de suministro de agua

Siga estas recomendaciones para garantizar una instalación óptima y sin problemas con un aspecto limpio y profesional.

"Ubicación (Desde el suelo y la izquierda del centro de la brida de piso)"	4-3/4" x 4-3/4" (120mm x 120mm)
Tipo de válvula	"Válvula de llave angular con conexión de suministro hacia arriba, hacia dentro o hacia abajo NOTA: No se recomiendan válvulas de parada recta o válvulas con conexión de suministro en la parte delantera de la llave angular"
Longitud máxima	La llave angular no debe sobresalir a más de 3" (80mm) de la pared



PROCEDIMIENTO DE MONTAJE

1. Abra el embalaje del montaje de instalación de Unifit. Siga las instrucciones para completar la instalación (il. 1).
2. Coloque la plantilla en su posición y siga las instrucciones para prepararse para instalar la taza del inodoro.

AVISO No mueva el montaje Unifit en la brida de piso después de fijar el sello de cera. Si se ignora este aviso, deseche el anillo de cera y sustitúyalo por uno nuevo.

3. Coloque la taza del inodoro sobre el montaje Unifit y los dos bloques de montaje alineando la salida de la taza con la apertura del montaje Unifit (il. 2).

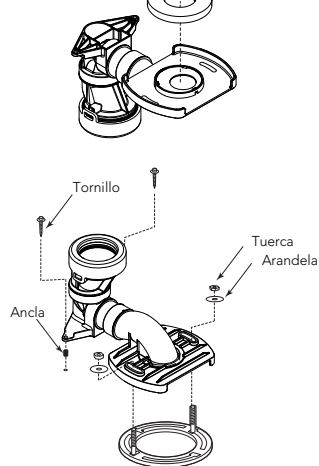
AVISO Introduzca el inodoro completamente en su posición. Si se ignora este aviso, puede producirse una fuga.

AVISO Compruebe si se balancea. Si es necesario, use calzas para evitar que el inodoro se balancee.

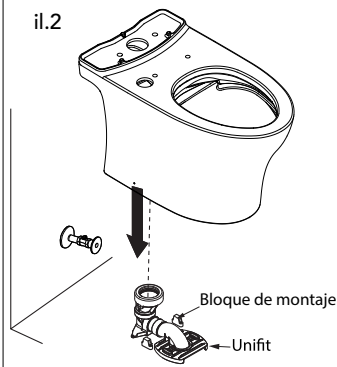
4. Alinee el inodoro perpendicular a la pared trasera y paralelo a las paredes laterales; no debe estar en posición opuesta o diagonal (il. 3).

il.1

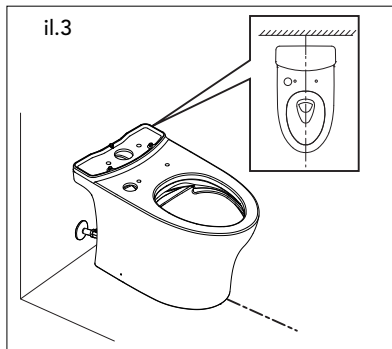
Sello de cera



il.2



il.3



PROCEDIMIENTO DE MONTAJE

5. Instale los tornillos laterales en los bloques de montaje. Cubra la cabeza del tornillo con los tapones de rosca suministrados (il. 4).
6. Instale los componentes para montaje del depósito a la taza del inodoro en el depósito (il. 5). Coloque el depósito apoyado en su parte posterior. Coloque una arandela de goma sobre un perno. Acceda al interior del depósito y coloque el perno a través de uno de los orificios de la parte inferior del depósito. En el exterior del depósito, coloque una arandela metálica y una tuerca sobre el perno. Sujete el perno centrado en el orificio y apriete la tuerca con las manos. Gire la tuerca una 1/2 vuelta adicional con una llave. Repita este proceso para el orificio restante del depósito.

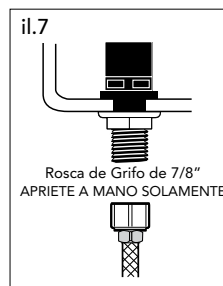
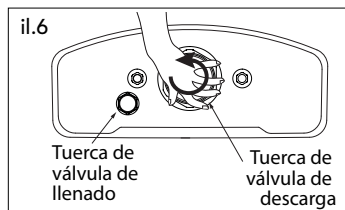
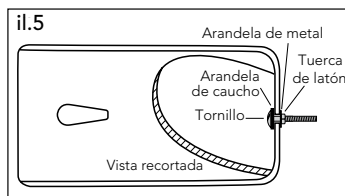
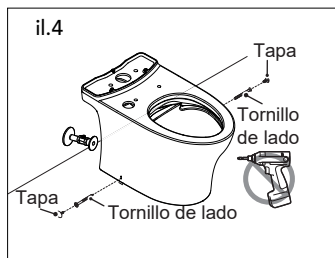
ATENCIÓN NO apriete demasiado los componentes de montaje, ya que podría romperse la porcelana y causar lesiones personales o daños a la propiedad.

7. Coloque el depósito boca abajo sobre un material acolchado. Inspeccione la tuerca de la válvula de llenado más pequeña y la tuerca de la válvula de descarga más grande para obtener una conexión segura (il. 6). Intente apretar las tuercas con las manos. Si está suelta, apriete la tuerca con la mano y aplique un giro adicional de 1/4 para la tuerca de la válvula de llenado más pequeña y un giro adicional de 1/2 para la tuerca de la torre de descarga más grande.

AVISO Asegúrese de que la válvula de llenado no gira y golpea el depósito mientras aprieta.

8. Conecte la manguera de suministro de agua a las roscas de la válvula de llenado tal como se observa en la parte inferior del depósito del inodoro (il. 7). Apriete esta conexión con las manos.

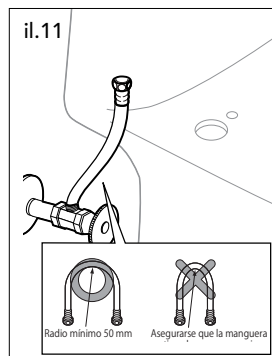
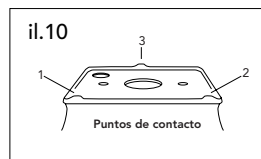
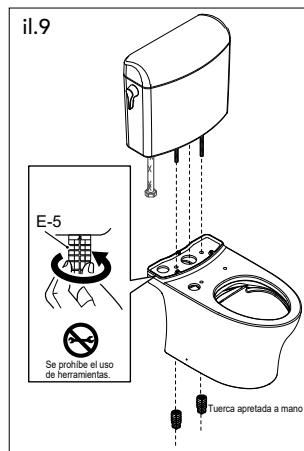
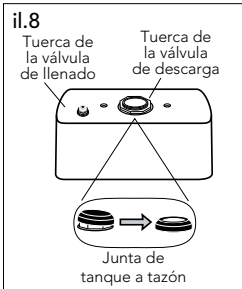
AVISO La manguera de suministro de agua debe estar conectada a la válvula de llenado ANTES de la instalación del depósito a la taza. TOTO recomienda utilizar una manguera de suministro flexible más larga.



PROCEDIMIENTO DE MONTAJE

9. Coloque la junta del depósito a la taza en la tuerca de la torre de descarga (il. 8). Mientras presiona hacia abajo, extienda la junta sobre la tuerca hasta que la junta toque la parte inferior del depósito. Se permite que exista un pequeño espacio entre la parte inferior del depósito y la junta.
10. Recoja el depósito e introduzca con cuidado la manguera de suministro de agua en el orificio de la válvula de llenado de la taza. Alinee la junta del depósito a la taza sobre el orificio de entrada de la taza y alinee los pernos del depósito sobre los orificios de los pernos de la taza (il. 9).
11. Utilizando las tuercas suministradas, apriete las tuercas con las manos uniformemente hasta que el depósito se ajuste bien en cada uno de los 3 puntos de contacto en la taza (il. 10). No ajuste en exceso. El exceso de ajuste puede romper la porcelana y causar lesiones personales o daños a la propiedad.
12. Purgue la línea de suministro de agua durante unos segundos para eliminar los residuos que puedan entrar en la nueva válvula de llenado. (Para nuevas construcciones y/o adiciones en casa, purgue la línea de suministro de agua durante más de un minuto para ayudar a eliminar cualquier adhesivo de PVC residual, fundente de soldadura y/o selladores de tubos utilizados para la nueva plomería).
13. Instale la manguera flexible de suministro de agua en la llave angular (il. 11). Asegúrese de que la manguera esté libre de torceduras.
14. Coloque con cuidado la tapa encima del depósito.
NOTA: La presión de suministro de agua debe ser de 20 a 80 psi estáticos.
15. Lave el inodoro varias veces para comprobar si hay problemas y fugas. Asegúrese de que **NO HAYA FUGAS DE AGUA** en la taza y el depósito.

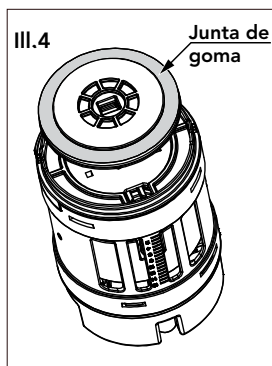
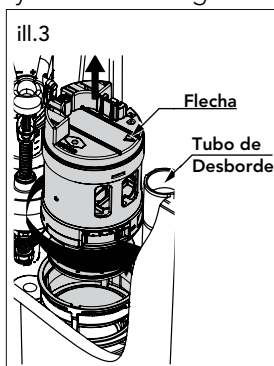
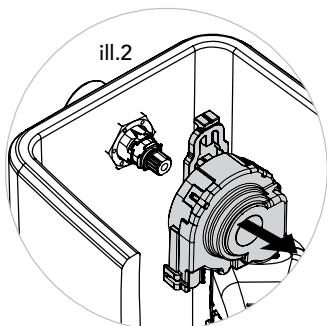
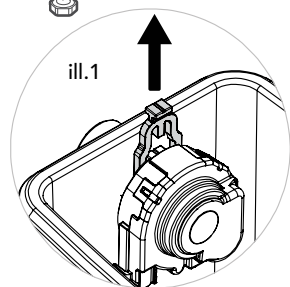
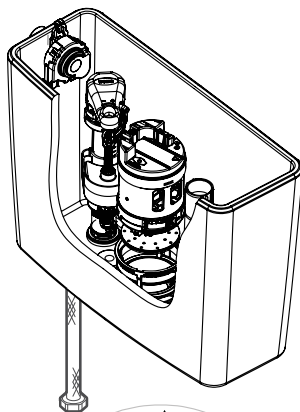
ATENCIÓN: Evite utilizar una llave para apretar la conexión, ya que podría dañar las roscas de plástico y/o provocar que la válvula de llenado gire dentro del depósito.



INSTRUCCIONES DE MANTENIMIENTO

SUSTITUCIÓN DE LA TORRE DE DESCARGA

1. Cierre el suministro de agua y descargue el inodoro.
2. Retire la tapa del depósito y colóquela boca abajo sobre una superficie limpia. Retire el agua restante del depósito con una esponja.
3. Tire del clip sobre la caja de engranajes de la palanca de descarga como se muestra (Il. 1).
4. Tire de la caja de engranajes (Il. 2).
5. Gire la torre de descarga hasta que la flecha quede alineada con el tubo de desborde y luego tire hacia arriba para retirarla (Il. 3).
6. Retire la junta de goma gris del sello y enjuague bajo agua corriente para limpiarla (Il. 4).
7. Vuelva a colocar la junta en la torre de descarga.
8. Alinee y coloque la torre de descarga en la carcasa y gírela para fijarla en su sitio.
9. Sustituya la caja de engranajes de la palanca de descarga y empuje la palanca para fijarla en su sitio.
10. Instale con cuidado la tapa del depósito en el depósito.
11. Descargue el inodoro varias veces asegurándose de que la palanca de descarga funciona normalmente.
12. Compruebe el nivel de agua del depósito e inspeccione para ver si hay señales de fugas.



CUIDADO Y LIMPIEZA

Utilice un detergente o un limpiador de inodoro no abrasivo y un cepillo de plástico de cerdas suaves para limpiar el inodoro. Para eliminar manchas de agua dura, utilice un limpiador de disolución de vinagre o lima y una almohadilla abrasiva que no deje arañazos hecha para porcelana. Deje que pase un poco de tiempo de contacto para permitir que el limpiador disuelva la acumulación.



AVISO

NO UTILICE LIMPIADORES DE TAZAS QUE VAN DENTRO DEL DEPÓSITO.

El uso de productos clorados o con alta concentración de cloro puede dañar gravemente los accesorios en el depósito. Estos daños pueden causar fugas y daños a la propiedad. TOTO no será responsable de ningún fallo o daño de la conexión del depósito causado por el uso de limpiadores de tazas que van dentro del depósito.

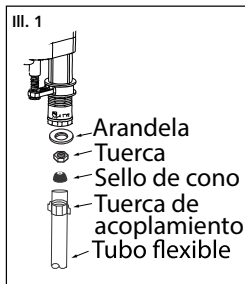
ESPAÑOL

SUSTITUCIÓN DE LA VÁLVULA DE LLENADO

1. Cierre el suministro de agua. Descargue el inodoro y elimine el agua restante del depósito. Siga al revés las instrucciones de instalación del depósito para retirarlo de la taza. Retire el tubo de repuesto del tubo de desborde y de la válvula de llenado. Tome nota de la orientación de la válvula de llenado. Retire la válvula de llenado vieja.

2. Instale la nueva válvula de llenado deslizando la parte roscada del eje a través del orificio en la parte inferior del depósito.

3. Enrosque la tuerca de montaje sobre el eje expuesto bajo el depósito y apriete la tuerca. Compruebe la orientación de la válvula de llenado.



⚠ ATENCIÓN No ajuste en exceso.

4. Conecte el suministro de agua (Il. 1). No se recomienda la grasa de roscas para tubos. Conecte el tubo de llenado a la válvula de llenado y fije el otro extremo a la tubería de desborde.

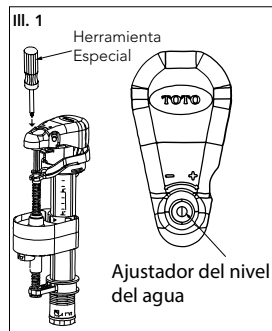
AJUSTE DEL NIVEL DE AGUA

Consulte el sello de la línea del nivel de agua dentro del depósito.

1. El ajuste del nivel de agua se encuentra en el extremo superior de la válvula de llenado. Utilice un destornillador de cabeza plana para realizar ajustes:

- Para elevar el nivel de agua: gire el destornillador en sentido horario o hacia el indicador "+".
- Para bajar el nivel de agua: gire el destornillador en sentido contrario al de las agujas del reloj o hacia el indicador "-".

2. Descargue el inodoro después de cada ajuste para comprobar el nivel de agua. Cuando esté satisfecho con el nivel de agua, descargue una vez más para verificar.

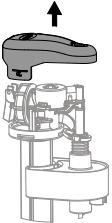


MANTENIMIENTO DE LA VÁLVULA DE LLENADO

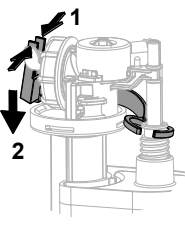
NOTA: Debido a las condiciones del agua en su zona, el filtro puede requerir una limpieza periódica. Una indicación de que el filtro requiere el servicio puede verse en un ciclo de llenado retardado, un ciclo de llenado intermitente o una cantidad inadecuada del flujo de agua desde el tubo de repuesto.

1. Cierre la cubierta superior tirando de debajo de la lengüeta (Il. 1).
2. Apriete las lengüetas del brazo de la palanca para permitir su retirada (Il. 2).
3. Cierre la varilla ajustable del soporte para que la unidad se deslice hacia la parte inferior y retire la lengüeta de retención tirando de ella como lo indica la flecha (Il. 3).
4. Agarre la unidad de la válvula, gire un 1/4 de vuelta en sentido contrario a las agujas del reloj y extraiga la unidad (Il. 4).
5. Desenrosque la tuerca de la carcasa del diafragma (Il. 5).
6. Retire el diafragma de su carcasa tirando con cuidado del borde del diafragma (Il. 6). Tome nota de la posición del diafragma mientras lo retira.
7. Retire el filtro del tubo con alicates de punta de aguja (Il. 7). Utilice un movimiento gíatorio mientras tira para facilitar la extracción.
8. Enjuague todas las piezas bajo agua corriente para eliminar restos, residuos o películas. Vuelva a instalar todas las piezas en orden inverso. Haga correr el agua y compruebe si hay fugas y funcionamiento.

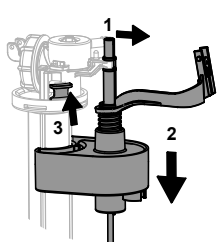
ill.1



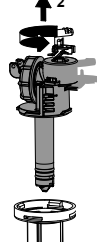
ill.2



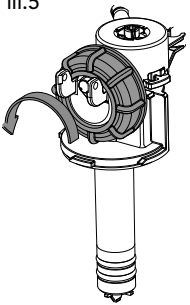
ill.3



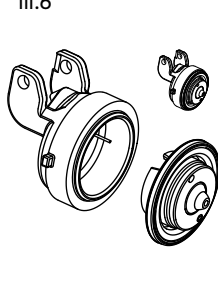
ill.4



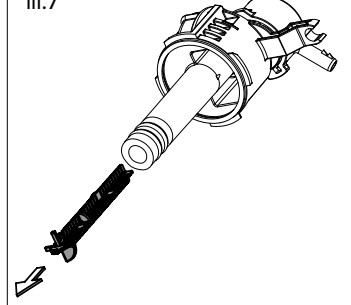
ill.5



ill.6

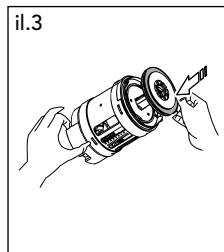
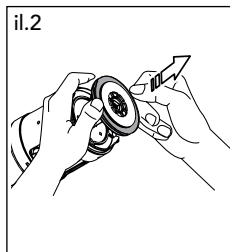
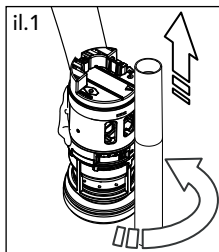


ill.7



MANTENIMIENTO DE LA TORRE DE DESCARGA

1. Cierre el suministro de agua y descargue el inodoro.
2. Retire la tapa del depósito y colóquela boca abajo sobre una superficie limpia.
3. Tome nota de la orientación de la torre de descarga para volver a ensamblarla.
4. Gire la mitad superior de la torre de descarga para que la flecha apunte hacia el tubo de desbordamiento y tire de ella hacia arriba para extraerla (Il. 1)
5. Retire la junta de goma del sello y enjuague bajo agua corriente para limpiarla (Il. 2). Vuelva a colocar la junta en la torre de descarga (Il. 3).
6. Alinee la flecha con el tubo de desbordamiento e instale la torre de descarga en la base.
7. Gire la torre de descarga a la misma orientación (paso 3).
8. Instale con cuidado la tapa del depósito en el depósito.
9. Descargue el inodoro varias veces para verificar que funciona correctamente. Verifique si hay fugas.

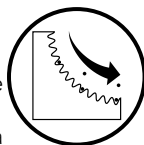


INSTRUCCIONES DE LIMPIEZA PARA CEFIONTECT®



¿QUÉ ES CEFIONTECT®?

CEFIONTECT® es el esmalte permanente súper suave de TOTO que evita que los desechos se peguen a las superficies. Los productos con la letra "G" en el número tienen el esmalte CEFIONTECT®. Este esmalte, junto con una limpieza regular, ayudará a mantener su producto TOTO en perfectas condiciones.

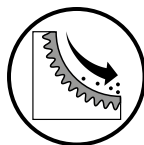


Sin CEFIONTECT®

NOTA:

Para la limpieza regular de su producto TOTO con CEFIONTECT®:

- Lavabo: Use detergente para platos y un paño suave.
- Inodoro: Use limpiador a base de gel y un cepillo plástico de cerdas suaves.
- **No use** limpiadores, polvos pulidores o detergentes que tengan partículas arenosas o gruesas.
- **No use** lejía, diluyentes químicos o productos que incluyan detergentes ácidos o alcalinos en sus ingredientes.
- **No use** cepillos metálicos para fregar ni lana de acero.



Con CEFIONTECT®



Si sigue estas instrucciones de limpieza, se asegurará de que el esmalte CEFIONTECT® de su producto TOTO permanezca intacto, manteniéndolo hermoso durante muchos años.

GARANTÍA

1. TOTO® garantiza que su vitreo china producto no presenta defectos en sus materiales ni de fabricación durante su uso normal cuando es instalado y mantenido adecuadamente, por un periodo de uno (1) año(s) a partir de la fecha de compra. Esta garantía limitada es válida solamente para el COMPRADOR ORIGINAL del Producto y no es transferible a una tercera persona, incluyendo, pero sin limitarse a, cualquier comprador o propietario subsecuente del Producto. Esta garantía aplica solamente al Producto TOTO comprado e instalado en América del Norte, Central, Latina y del Sur.
2. Las obligaciones de TOTO bajo esta garantía se limitan a la reparación, cambio o cualquier otro ajuste, a petición de TOTO, del Producto o partes que resulten defectuosas en su uso normal, siempre que dicho Producto haya sido instalado, utilizado y mantenido de acuerdo con las instrucciones. TOTO se reserve el derecho de hacer tantas inspecciones como sean necesarias para determinar la causa del defecto. TOTO no cobrará por la mano de obra o partes relacionadas con las reparaciones o cambios garantizados. TOTO no es responsable por el costo de la remoción, devolución y/o reinstalación del Producto.
3. Esta garantía no aplica en los siguientes casos:
 - a) Daño o pérdida ocurrida en un desastre natural, tal como: incendio, sismo, inundación, relámpago, tormenta eléctrica, etc.
 - b) Daño o pérdida resultado de cualquier accidente, uso inaceptable, mal uso, abuso, negligencia o cuidado, limpieza o mantenimiento inadecuado del Producto.
 - c) Daño o pérdida causada por los sedimentos o material extraña contenida en un sistema de agua.
 - d) Daño o pérdida causada por una mala instalación o por la instalación del Producto en un ambiente duro y/o peligroso, o una remoción, reparación o modificación inadecuada del Producto. (NOTA: Los códigos de modelo del producto permiten un máximo de 80 PSI. Revise los códigos locales o las normas de requisitos.)
 - e) Daño o pérdida causada por sobrecargas eléctricas o rayos u otros actos que no sea responsabilidad de TOTO o que el Producto no esté especificado para tolerar.
 - f) Daño o pérdida causada por el uso normal y personalizado, tal como reducción del brillo, rayado o pérdida de color en el tiempo debido al uso, prácticas de limpieza o condiciones del agua o atmosféricas.
 - g) Mecanismos de lavado de tanques de piezas móviles de plástico o caucho.
 - h) Asientos de inodoro de plástico, madera o metal.
4. Para que esta garantía limitada sea válida, prueba de compra es necesaria. TOTO anima el registro de la garantía sobre compra para cree un archivo de la propiedad del producto en <http://www.totousa.com>. El registro del producto es totalmente voluntario y la falta a registrar no disminuirá sus derechos de garantía limitada.
5. ESTA GARANTÍA LE DA DERECHOS LEGALES ESPECÍFICOS. USTED PODRÍATENER OTROS DERECHOS QUE PUEDEN VARIAR DEPENDIENDO DEL ESTADO O PROVINCIA EN EL QUE SE ENCUENTRE.
6. Para obtener el servicio de reparación de esta garantía, debe llevar el Producto o enviarlo prepagado a un módulo de servicios TOTO junto con la prueba de compra (recibo de compra original) y una carta en la que plantee el problema, o póngase en contacto con un distribuidor TOTO o el contratista de servicio de los productos, o escriba directamente a TOTO U.S.A., INC., 1155 Southern Road, Morrow, GA 30260 (678) 466-1300 o 888) 295-8134, si fuera de los E.E.U.U. Si, debido al tamaño del producto o naturaleza del defecto, el Producto no puede ser devuelto a TOTO, la recepción en TOTO del aviso escrito del defecto junto con la prueba de compra (recibo de compra original) constituirá el envío. En tal caso, TOTO podrá escoger entre reparar el Producto en el domicilio del comprador o pagar el transporte del Producto a un módulo de servicio.

AVISO TOTO no será responsable de fallas o daños ocasionados en este producto de plomería o componente del producto causados por cloraminas en el tratamiento del suministro de agua público o en los limpiadores en el recipiente del tanque que contengan cloro (hipoclorito de calcio). Nota: el uso de cloro en alta concentración o productos derivados del cloro puede dañar seriamente los accesorios. Este daño puede ocasionar fugas y daños graves en la propiedad. Para obtener más información, llámenos al (888) 295-8134.

ESTA GARANTÍA ESCRITA ES LA ÚNICA GARANTÍA HECHA POR TOTO. LA REPARACIÓN, CAMBIO U OTRO AJUSTE ADECUADO, TAL COMO APARECE EN ESTA GARANTÍA, SERÁ EL ÚNICO REMEDIO DISPONIBLE PARA EL COMPRADOR ORIGINAL. TOTO NO SERÁ RESPONSABLE POR LA PÉRDIDA DEL PRODUCTO O POR CUALQUIER OTRO DAÑO ACCIDENTAL, ESPECIAL O CONSECUENTE O POR DAÑOS INCURRIDOS POR EL COMPRADOR ORIGINAL, O POR LA MANO DE OBRA U OTROS COSTOS RELACIONADOS CON LA INSTALACIÓN O REMOCIÓN, O COSTOS DE REPARACIONES HECHAS POR OTROS, O POR CUALQUIER OTRO GASTO NO INDICADO DE MANERA ESPECÍFICA EN LOS PÁRRAFOS ANTERIORES. EN NINGÚN CASO LA RESPONSABILIDAD DE TOTO EXCEDERÁ EL PRECIO DE COMPRA DEL PRODUCTO. EXCEPTO EN LA MEDIDA EN QUE QUEDE PROHIBIDO POR LA LEYAPLICABLE, TODA GARANTÍA IMPLÍCITA, INCLUYENDO AQUELLAS DE COMERCIABILIDAD O IDONEIDAD DE USO PARA EL USO O PARA UN PROPÓSITO PARTICULAR, ESTÁ EXPRESAMENTE PROHIBIDA. ALGUNOS ESTADOS NO PERMITEN LAS LIMITACIONES ACERCA DE LA DURACIÓN DE UNA GARANTÍATÁCITA, O LA EXCLUSIÓN O LIMITACIÓN DE DAÑOS INCIDENTALES O CONSECUENTES, POR LO QUE LA LIMITACIÓN E INCLUSIÓN ANTERIORES PUEDEN NO APLICAR A USTED.

TABLE DES MATIÈRES

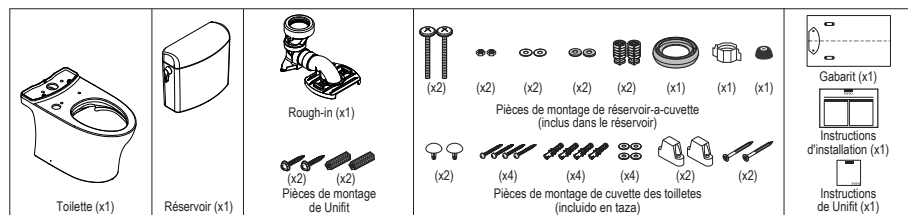
Merci d'avoir choisi TOTO!.....	22
Pièces incluses	22
Outils nécessaires	22
Avant l'installation.....	23
Procédure d'installation	24
Instruction de maintenance	27
Entretien et nettoyage	28
Remplacement de la valve de remplissage	28
Réglage du niveau d'eau	28
Instructions d'entretien de valve de remplissage	29
Instructions d'entretien de valve de chasse	30
Instructions de Nettoyage CEFIONTECT ®.....	30
Garantie	31

MERCI D'AVOIR CHOISI TOTO!

La mission de TOTO est d'offrir au monde entier un style de vie sain, hygiénique et plus confortable. Comme principe de base, nous concevons chaque produit avec un équilibre entre la forme et la fonction. Félicitations pour votre choix.

PIÈCES INCLUSES

Assurez-vous que vous avez toutes ces pièces dans l'paquet* :



OUTILS NÉCESSAIRES

- 10" clé ajustable
- Niveau de charpentier
- Mètre à ruban
- Pincés manuelles
- Tournevis plat
- Tournevis Phillips
- Crayon
- Couteau à mastiquer
- Perceuse
- Mèche (bloc de montage)
 - Pour l'installation de plancher en bois :
 - 11/16" mèche
 - Pour l'installation de béton / carreaux :
 - 5/16" mèche

MATERIAUX REQUIS :

(Non Inclus)

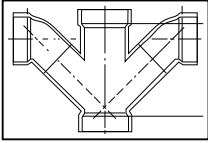
- Tuyau flexible d'alimentation
- Valve d'arrêt d'angle (1/2 " compression à 7/8" robinet)
- Anneau de Cire
- Siège de Toilette

AVANT L'INSTALLATION

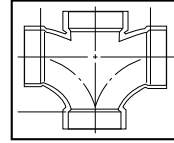
- Lisez attentivement ces instructions avant de commencer le travail.
- Veuillez laisser les instructions aux clients. Ces instructions contiennent des renseignements sur l'entretien et la garantie.
- Au besoin, retirez les toilettes existantes et s'il s'agit d'une nouvelle construction, percez la conduite d'alimentation.

AVIS

En raison de la puissante performance de nos systèmes de chasse d'eau Tornado, G-Max, E-Max et Power Gravity, ils ne sont pas indiqués pour les installations dos à dos. Le seul moyen d'installer ces toilettes en situation dos à dos est lorsque les raccords de drain des toilettes comprennent un raccord en Y. Veuillez communiquer avec votre constructeur ou votre entrepreneur avant de procéder à cette installation.



Combinaison double Y/ 1/8 Courbe
OUI

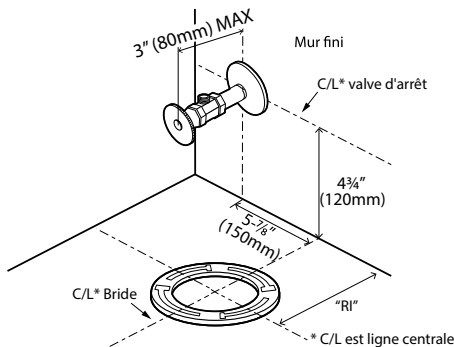


Té sanitaire double / En croix
NON

Recommandations d'installation de robinet d'arrêt d'alimentation en eau

Suivez ces recommandations pour assurer une installation optimale et sans problème avec une apparence soignée et professionnelle.

"Emplacement (à partir du plancher et à gauche du centre de la bride du plancher)"	4-3/4" x 4-3/4" (120mm x 120mm)
Type de vanne	"Robinet d'arrêt d'équerre avec raccord d'alimentation vers le haut, vers l'intérieur ou vers le bas REMARQUE: Le robinet d'arrêt droit, ou robinet avec raccord d'alimentation sur l'avant de l'arrêt d'équerre, n'est pas recommandée"
Longueur maximale	L'arrêt d'équerre ne doit pas dépasser plus de 3 po (80mm) du mur



PROCÉDURE D'INSTALLATION

1. Ouvrez l'emballage de l'adaptateur Unifit Rough-In. Suivez les instructions d'installation pour terminer l'installation (fig. 1).
2. Placez le gabarit et suivez ses instructions préalables à l'installation de la cuvette.

AVIS Ne déplacez pas l'adaptateur Unifit Rough-In sur la bride de plancher une fois le joint de cire fixé. Si cet avis a été ignoré, jetez l'anneau en cire et remplacez-le par un nouvel anneau en cire.

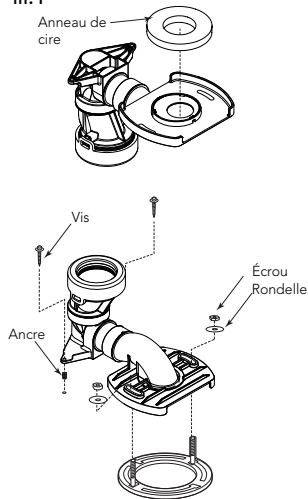
3. Placez la cuvette de toilette sur l'adaptateur Unifit Rough-In et les deux blocs de montage en alignant la sortie de la cuvette avec l'ouverture de l'adaptateur Unifit Rough-In. (ill. 2)

AVIS Insérez la toilette jusqu'au bout de sa position. Si vous ignorez cet avis, il pourrait y avoir une fuite par la suite.

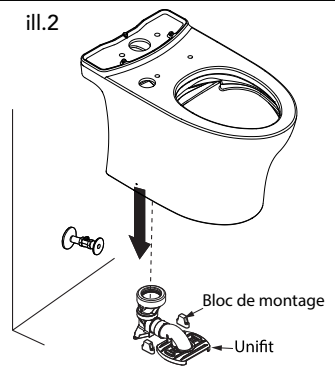
AVIS Vérifiez le basculement. Si nécessaire, utilisez des cales pour empêcher les toilettes de basculer.

4. Alignez la toilette perpendiculairement au mur arrière et parallèlement aux murs latéraux; elle ne doit pas être désalignée ou inclinée. (ill. 3)

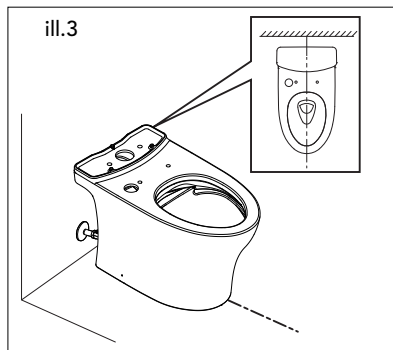
ill.1



ill.2

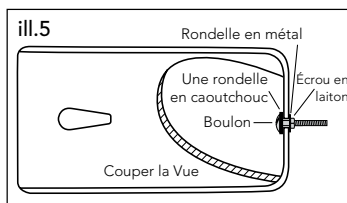
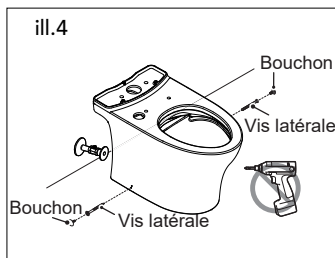


ill.3



PROCÉDURE D'INSTALLATION

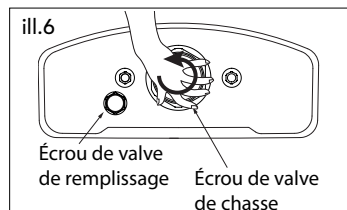
- Installez les vis latérales sur les blocs de montage. Couvrez les têtes de vis avec les capuchons fournis. (ill. 4)
- Installez sur le réservoir les pièces de fixation destinées à relier ce dernier à la cuvette. (ill. 5) Déposez le dos du réservoir contre le sol. Placez une rondelle en caoutchouc sur un boulon. En passant par l'intérieur du réservoir, placez le boulon dans l'un des trous du fond du réservoir. Depuis l'extérieur du réservoir, placez une rondelle métallique et un écrou sur le trou et serrez l'écrou à la main. Tournez l'écrou de 1/2 de tour supplémentaire à l'aide d'une clé. Répétez ce processus pour le trou restant dans le réservoir.



⚠ AVERTISSEMENT

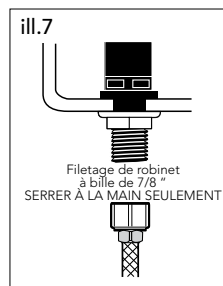
Ne serrez PAS à excès les pièces de fixation, car elle peuvent briser la porcelaine et causer des blessures corporelles ou des dommages matériels.

- Placez le réservoir à l'envers sur du rembourrage. Inspectez le plus petit écrou de soupape de remplissage et l'écrou de robinet de fond de cuve le plus gros pour assurer une connexion sûre. (ill. 6) Tentez de serrer les écrous à la main. S'ils sont lâches, serrez l'écrou à main, puis serrez d'un quart de tour supplémentaire l'écrou de la soupape de remplissage le plus petit et d'un demi de tour supplémentaire l'écrou de la corps de chasse le plus gros.



AVIS

Assurez-vous que la soupape de remplissage ne tourne pas et qu'elle ne touche pas le réservoir lorsqu'elle est serrée.



- Branchez le tuyau d'alimentation en eau aux filets de la soupape de remplissage, comme vu au bas du réservoir de toilette. (ill. 7) Serrez ce raccord à la main.

AVIS

Le tuyau d'alimentation en eau doit être raccordé à la soupape de remplissage AVANT l'installation du réservoir sur la cuvette. TOTO recommande d'utiliser un tuyau d'alimentation flexible plus long.

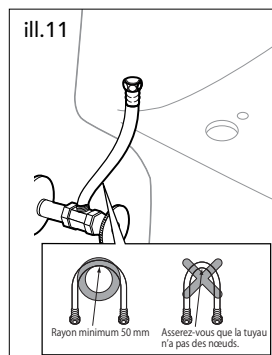
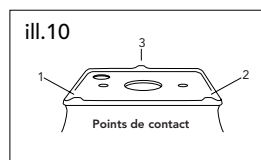
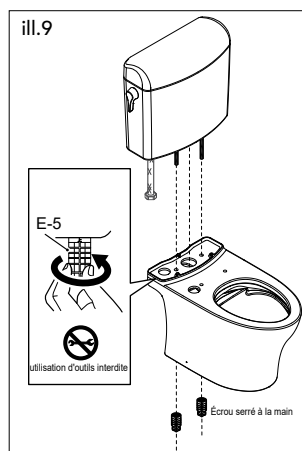
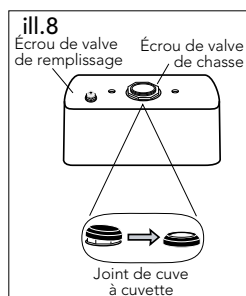
PROCÉDURE D'INSTALLATION

9. Placez le joint d'étanchéité destiné à être placé entre le réservoir et la cuvette sur l'écrou de le corps de chasse. (ill. 8) En le compressant, étendez le joint au-dessus de l'écrou jusqu'à ce que le joint touche le fond du réservoir. Un faible écart entre le fond du réservoir et le joint est permis.
10. Prenez le réservoir et guidez soigneusement le tuyau d'alimentation en eau dans l'orifice de la soupape de remplissage de la cuvette. Alignez le joint d'étanchéité entre le réservoir et la cuvette sur l'orifice d'entrée de la cuvette, puis alignez les boulons du réservoir sur les orifices de boulon de la cuvette. (ill. 9)
11. Serrez à la main les écrous fournis à cet effet, serrez les écrous uniformément jusqu'à ce que le réservoir soit bien fixé sur chacun des 3 points de contact de la cuvette. (ill. 10) Ne serrez pas à excès! Un serrage excessif des pièces de fixation pourrait briser la porcelaine et causer des blessures corporelles ou des dommages matériels.
12. Rincez la conduite d'alimentation en eau pendant quelques secondes pour enlever tout débris qui pourrait pénétrer dans la nouvelle soupape. (Pour les constructions neuves et/ou rénovations domiciliaires, rincez la conduite d'alimentation en eau pendant plus d'une minute afin d'éliminer tous les résidus d'adhésif à PVC, de flux de brasage et/ou de scellant à tuyaux utilisés pour la nouvelle tuyauterie.)
13. Raccordez le tuyau flexible d'alimentation en eau sur le robinet d'arrêt d'équerre. (ill. 11) Assurez-vous que le tuyau est exempt de déformation.
14. Placez soigneusement le couvercle sur le dessus du réservoir.

REMARQUE: La pression statique d'alimentation en eau doit être de 20 à 80 psi.

15. Tirez la chasse des toilettes à quelques reprises pour vérifier s'il n'y a aucun problème ni de fuites. Assurez-vous qu'AUCUNE FUITE D'EAU n'est détectée sur la cuvette et le réservoir.

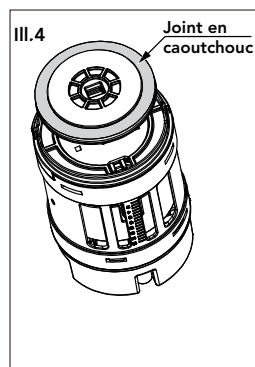
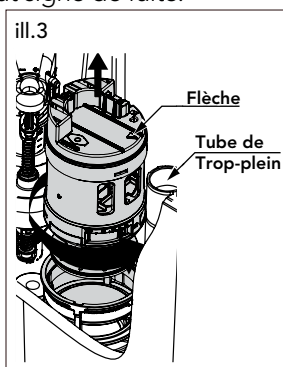
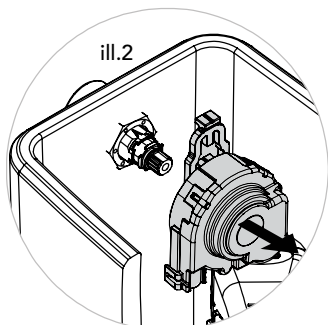
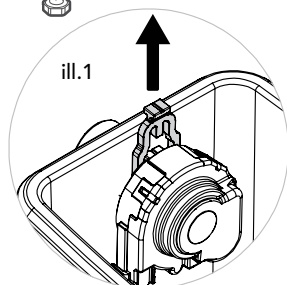
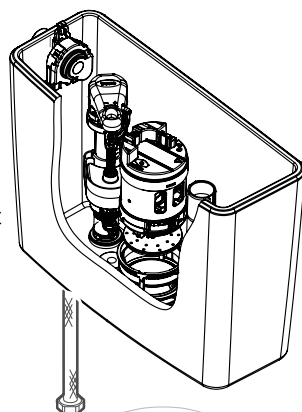
AVERTISSEMENT: Évitez d'utiliser une clé pour serrer la connexion, car vous pourriez endommager les filets de plastique et/ou provoquer la rotation de la valve à l'intérieur du réservoir.



INSTRUCTIONS D'ENTRETIEN

REPLACEMENT D'UNE COLONNE DE CHASSE

1. Coupez l'alimentation en eau et tirez la chasse d'eau.
2. Retirez le couvercle du réservoir et posez-le à l'envers sur une surface propre. Retirez l'eau restante du réservoir avec une éponge.
3. Tirez la languette sur le dessus de la boîte d'engrenages du levier de déclenchement, comme illustré. (ill. 1)
4. Retirez la boîte d'engrenage. (ill. 2)
5. Tournez le corps de chasse jusqu'à ce que la flèche s'aligne avec le tube de trop-plein, puis tirez vers le haut pour la retirer. (ill. 3)
6. Retirez le joint d'étanchéité en caoutchouc gris et rincez-le sous l'eau courante pour le nettoyer. (ill.4)
7. Remplacez le joint d'étanchéité sur le corps de chasse d'eau.
8. Alignez et placez le corps de chasse dans le boîtier et tournez-la pour la verrouiller en place.
9. Remplacez la boîte d'engrenage du levier de déclenchement et appuyez sur le levier pour la verrouiller en place.
10. Reposez avec précaution le couvercle du réservoir sur le réservoir.
11. Tirez la chasse d'eau de la toilette plusieurs fois en vous assurant que le levier de déclenchement fonctionne normalement.
12. Vérifiez le niveau d'eau dans le réservoir et inspectez-le pour repérer tout signe de fuite.



ENTRETIEN ET NETTOYAGE

Utilisez un détergent ou un nettoyant pour toilette non abrasif et une brosse en plastique à soies souples pour nettoyer votre toilette. Pour enlever les taches d'eau dure, utilisez du vinaigre ou un nettoyant à pouvoir dissolvant pour le tartre et un tampon à récurer antiégratignure conçu pour la porcelaine. Laissez en contact pendant une certaine période pour permettre au nettoyant de dissoudre l'accumulation.



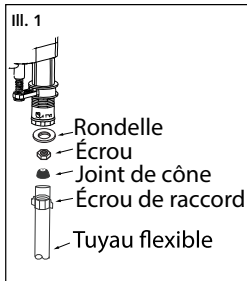
AVIS

NE PAS UTILISER LES NETTOYEURS POUR CUVETTE DE TOILETTE QUI S'INSÈRENT DANS LE RÉSERVOIR.

L'utilisation d'une concentration élevée de chlore ou de produits contenant du chlore risque d'endommager sérieusement les éléments qui se trouvent dans le réservoir. Ces dommages peuvent provoquer des fuites, ainsi que d'autres dégâts matériels. TOTO ne sera pas tenu responsable des défaillances ou des dommages matériels au réservoir causés par l'utilisation des nettoyeurs pour cuvette de toilette placés dans le réservoir.

REPLACEMENT DE LA SOUPE DE REMPLISSAGE

1. Fermez l'arrivée d'eau. Actionnez la chasse d'eau de la toilette pour retirer l'eau du réservoir. Inversez les instructions d'installation du réservoir pour le dissocier de la cuvette. Retirez le tube de remplissage du tube de trop-plein et la soupape de remplissage. Notez l'orientation de la soupape de remplissage. Retirez l'ancienne soupape de remplissage.
2. Installez la nouvelle soupape de remplissage en faisant glisser la partie fileté de l'arbre dans le trou situé au bas du réservoir.
3. Vissez l'écrou de montage sur l'arbre exposé sous le réservoir et serrez l'écrou. Vérifiez l'orientation de la soupape de remplissage.



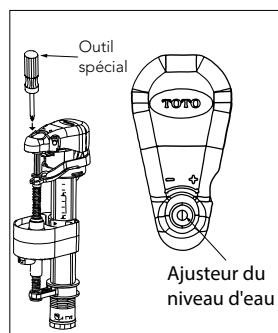
⚠ AVERTISSEMENT Ne serrez pas à l'excès!

4. Connectez l'alimentation en eau. (ill. 1) L'utilisation d'un revêtement de tuyau n'est pas recommandée. Fixez le tube de remplissage à la soupape de remplissage et accrochez l'autre extrémité au tuyau de trop-plein.

RÉGLAGE DU NIVEAU D'EAU

Reportez-vous à l'estampille de la ligne de niveau d'eau située à l'intérieur du réservoir.

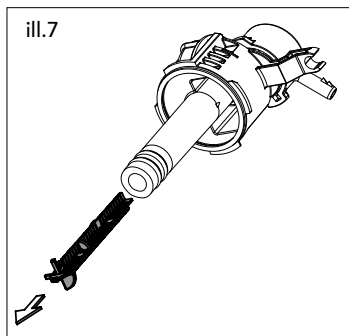
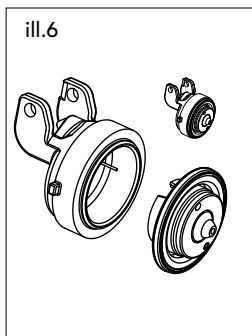
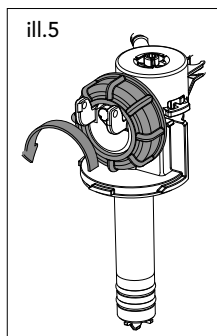
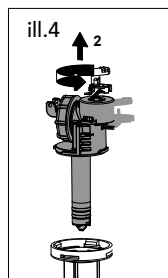
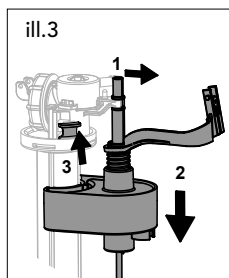
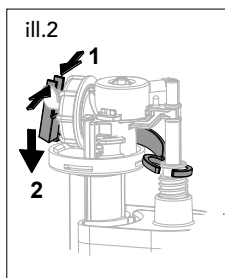
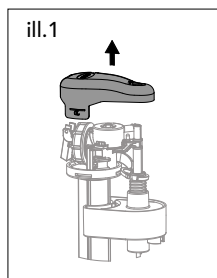
1. Le réglage de niveau d'eau se trouve à l'extrémité supérieure de la soupape de remplissage. Utilisez un tournevis à tête plate pour effectuer des ajustements :
 - Pour élever le niveau d'eau : tournez le tournevis dans le sens horaire ou vers l'indicateur « + ».
 - Pour abaisser le niveau d'eau : tournez le tournevis dans le sens antihoraire ou vers l'indicateur « - ».
2. Tirez la casse d'eau après chaque réglage pour vérifier le niveau d'eau. Lorsque vous êtes satisfait du niveau d'eau, tirez la chasse d'eau de nouveau pour vérifier.



ENTRETIEN DE LA SOUPE DE REMPLISSAGE

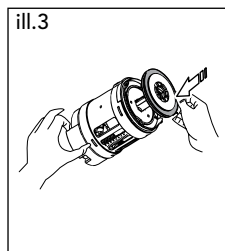
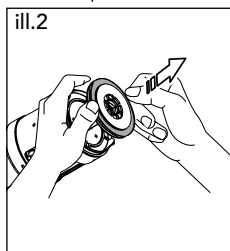
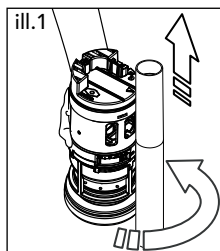
REMARQUE : En raison des conditions de l'eau dans votre région, la crépine peut nécessiter un nettoyage périodique. L'indication que la crépine nécessite un entretien peut se manifester par un cycle de remplissage retardé, un cycle d'injection intermittent ou une quantité insuffisante de débit d'eau provenant du tube de remplissage.

1. Retirez le couvercle supérieur en tirant sous la languette. (ill. 1)
2. Pincez les languettes du bras de levier pour permettre son retrait. (ill. 2)
3. Détachez la tige réglable du support pour permettre à l'ensemble de glisser vers le bas et retirez la tige de retenue en tirant dans le sens indiqué par la flèche. (ill. 3)
4. Tenez le robinet de soupape, tournez de $\frac{1}{4}$ de tour dans le sens contraire des aiguilles d'une montre et retirez l'ensemble. (ill. 4)
5. Dévissez l'écrou du boîtier du diaphragme. (ill. 5)
6. Retirez le diaphragme de son boîtier en tirant délicatement le bord du diaphragme. (ill. 6) Notez la position du diaphragme lors du retrait.
7. Retirez la crépine du tube à l'aide d'une pince à bec effilé. (ill. 7) Exercez un mouvement de torsion tout en tirant pour faciliter le retrait.
8. Rincez toutes les pièces sous l'eau courante pour éliminer tout débris, résidu ou pellicule. Réinstallez toutes les pièces en ordre inverse. Ouvrez l'eau, vérifiez la présence de fuites, puis vérifiez le fonctionnement.



ENTRETIEN DE LE CORPS DE CHASSE

1. Coupez l'alimentation en eau et tirez la chasse d'eau.
2. Retirez le couvercle du réservoir et posez-le à l'envers sur une surface propre.
3. Notez l'orientation de le corps de chasse en prévision du remontage.
4. Faites pivoter la moitié supérieure du corps de chasse de sorte que la flèche pointe vers le tube de trop-plein et tirez-le vers le haut pour le retirer (ill. 1)
5. Retirez le joint d'étanchéité en caoutchouc et rincez-le sous l'eau courante pour le nettoyer. (ill. 2). Replacez le joint d'étanchéité sur le corps de chasse d'eau. (ill. 3).
6. Alignez la flèche avec le tube de trop-plein et réinstallez le corps de chasse.
7. Faites pivoter le corps de chasse dans la même orientation (étape 3).
8. Remettre en place avec précaution le couvercle du réservoir.
9. Tirez la chasse d'eau de la toilette à plusieurs reprises pour vérifier son bon fonctionnement. Vérifiez la présence de fuites.



FRANÇAIS

INSTRUCTIONS DE NETTOYAGE CEFIONTECT®



QU'EST-CE QUE CEFIONTECT®?

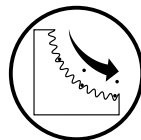
CEFIONTECT® est la glacer permanente ultra-lisse de TOTO qui empêche les débris de coller aux surfaces. Les produits avec la lettre «G» dans le numéro ont la glacer CEFIONTECT®. Cet émail, associé à un nettoyage régulier, aidera à garder votre produit TOTO en parfait état.

REMARQUE:

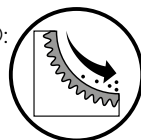
Pour un nettoyage régulier de votre produit TOTO avec CEFIONTECT®:

- Lavabo: utilisez un détergent à vaisselle et un chiffon doux.
- Toilette: utilisez un nettoyant à base de gel et une brosse en plastique à poils doux.
- **N'utilisez** pas de nettoyants, de poudres à polir ou de détergents contenant des particules granuleuses ou grossières.
- **N'utilisez** pas d'eau de Javel, de diluants chimiques ou de produits contenant des détergents acides ou alcalins dans leurs ingrédients.
- **N'utilisez** pas de brosses à récurer métalliques ou de laine d'acier.

Le respect de ces instructions de nettoyage, vous assurerez que le glacer CEFIONTECT® de votre produit TOTO reste intact, le gardant beau pendant de nombreuses années.



Pas de CEFIONTECT®



Avec CEFIONTECT®



GARANTIE

1. TOTO® garantit sa vitreuse china produits contre tout défaut de matériau et de fabrication pendant l'utilisation normale, lorsqu'elle est correctement installée et maintenue pour une période de une (1) ans à dater de l'achat. La présente garantie limitée ne peut être prolongée que pour le seul ACHETEUR D'ORIGINE de l'appareil et n'est pas transférable à un tiers, y compris mais pas limité à tout acheteur ou propriétaire subséquent du produit. Cette garantie n'est applicable qu'aux produits achetés et installés en Amérique du Nord, Centrale, Latine, et du Sud.
2. Les obligations de TOTO selon les termes de cette garantie sont limitées à la réparation, remplacement ou autre ajustement en conséquent, au choix de TOTO, des produits ou des pièces défectueuses en service normal, pourvu qu'un tel produit ait été installé, utilisé et entretenu conformément aux instructions. TOTO se réserve le droit d'effectuer ce genre de vérifications en cas de nécessité afin de déterminer la cause du défaut. TOTO ne facturera pas les interventions ou les pièces relatives à la réparation et au remplacement sous garantie. TOTO n'est pas responsable du coût de désinstallation, de renvoi et/ou de réinstallation de l'appareil.
3. La garantie ne s'applique pas dans les cas suivants:
 - a) Dommages ou perte suite à une cause naturelle telle que incendie, tremblement de terre, inondation, tonnerre, orage etc.
 - b) Dommages ou perte causés par tout accident, utilisation non adaptée, un abus, une négligence ou un mauvais traitement, nettoyage ou entretien de l'appareil.
 - c) Dommages ou perte causés par des sédiments ou tout autre corps étranger contenus dans un réseau d'alimentation en eau.
 - d) Dommages ou perte suite à une mauvaise installation ou à l'installation de l'appareil dans un environnement rude et/ou dangereux ou une mauvaise désinstallation, réparation ou modification du produit. (REMARQUE : Les codes de modèle du produit permet un maximum de 80 PSI. Vérifiez les codes locaux ou des normes pour les besoins).
 - e) Dommages ou perte suite à des surtensions, foudres ou tous autres actes qui ne sont pas la responsabilité de TOTO, ou actes stipulés non supportables par le produit.
 - f) Dommages ou perte résultant d'une usure normale et habituelle, telle que la diminution du lustre, grattage ou décoloration avec le temps, habitude de nettoyage, l'eau, ou des conditions atmosphériques.
 - g) Mécanismes de rinçage de réservoir de pièces mobiles en plastique ou en caoutchouc.
 - h) Sièges de toilette en plastique, bois ou métal.
4. Pour que la garantie limitée soit valable, la preuve d'achat est exigée. TOTO vous encourage à enregistrer votre produit après l'achat pour créer un record de propriété, cela peut être fait au site <http://www.totousa.com>. L'enregistrement du produit est complètement volontaire et à défaut de l'enregistrement ne va pas limiter votre droit au garantie limitée.
5. CETTE GARANTIE DONNE DES DROITS SPÉCIFIQUES. IL EST POSSIBLE QUE L'ACHETEUR AIT D'AUTRES DROITS QUI VARIENT D'UN ÉTAT À UN AUTRE OU D'UNE PROVINCE À L'AUTRE.
6. Pour obtenir une réparation selon les termes de cette garantie, l'acheteur doit livrer à un centre de réparation de TOTO port payé avec preuve d'achat (reçu de caisse original), et une lettre expliquant le problème, ou contacter un distributeur de TOTO ou un entrepreneur de réparation du produit ou écrire directement à TOTO U.S.A., INC., Southern Road, Morrow, Géorgie 30260, (678) 466-1300 ou appelé (888) 295-8134, si en dehors de L'Etat Unis. Si, à cause de la taille du produit ou de la nature du défaut, il n'est pas possible de renvoyer le produit à TOTO, la réception par TOTO d'un avis écrit du défaut avec preuve d'achat (reçu de caisse original) constitue livraison. Dans un tel cas, TOTO peut choisir de réparer le produit chez l'acheteur ou de payer le transport du produit à un centre de réparation.

ATTENTION ! TOTO décline toute responsabilité quant aux panes ou aux dommages causés sur ce produit de plomberie ou composant du produit par la chloramine contenue dans le traitement de l'alimentation en eau publique ou dans les produits d'entretien pour réservoirs de toilettes contenant du chlore (hypochlorite de calcium). Remarque : l'utilisation d'une forte concentration de chlore ou de produits à base de chlore risque d'endommager sérieusement la tuyauterie. Ces dommages peuvent provoquer des fuites et des dégâts des eaux. Pour plus d'informations, contactez-nous au (888) 295-8134.

CETTE GARANTIE ÉCRITE EST LA SEULE GARANTIE FAITE PAR TOTO. LA RÉPARATION, LE REMPLACEMENT OU TOUT AUTRE AJUSTEMENT APPROPRIÉ SELON LES TERMES DE CETTE GARANTIE EST LE SEUL RECOURS DE L'ACHETEUR INITIAL. TOTO N'EST PAS RESPONSABLE DE LA PERTE DU PRODUIT OU DE TOUT AUTRE DOMMAGE INDIRECT, SPÉCIAL OU SECONDAIRE OU DES DÉPENSES ENCOURUES PAR L'ACHETEUR INITIAL NI DE LA MAIN-D'OEUVRE OU AUTRES FRAIS ASSOCIÉS À L'INSTALLATION OU LA MANIPULATION, OU LES FRAIS DE RÉPARATION PAR DES TIERS, NI POUR TOUS AUTRES FRAIS PAS SPÉCIFIQUEMENT MENTIONNÉS. EN AUCUN CAS, LA RESPONSABILITÉ DE TOTO NE PEUT DÉPASSER LE PRIX D'ACHAT DU PRODUIT. SAUF QUAND INTERDITE PAR UNE LOI APPLICABLE, TOUTE GARANTIE SOUS-ENTENDUE, Y COMPRIS CELLE DE VENDABILITÉ OU D'APPLICATION POUR UN USAGE PARTICULIER, EST EXPRESSEMENT REJETÉ. CERTAINES PAYS NE PERMETTENT PAS LA LIMITATION DE LA LONGUEUR D'UNE GARANTIE SOUS-ENTENDUE, OU L'EXCLUSION OU LA LIMITATION DES DOMMAGES INDIRECTS OU SECONDAIRES, IL EST DONC POSSIBLE QUE CETTE LIMITATION ET EXCLUSION NE S'APPLIQUE PAS À VOTRE CAS.

TOTO

TOTO U.S.A., Inc. 1155 Southern Road,
Morrow, Georgia 30260

Tel: 888-295-8134 Fax: 800-699-4889

www.totousa.com

0GU206 - 3

Rev Date: 2/22



Warranty Registration and Inquiry

For product warranty registration, TOTO U.S.A. Inc. recommends online warranty registration. Please visit our web site <http://www.totousa.com>. If you have questions regarding warranty policy or coverage, please contact TOTO U.S.A. Inc., Customer Service Department, 1155 Southern Road, Morrow, GA 30260 (888) 295-8134 or (678) 466-1300 when calling from outside of U.S.A.