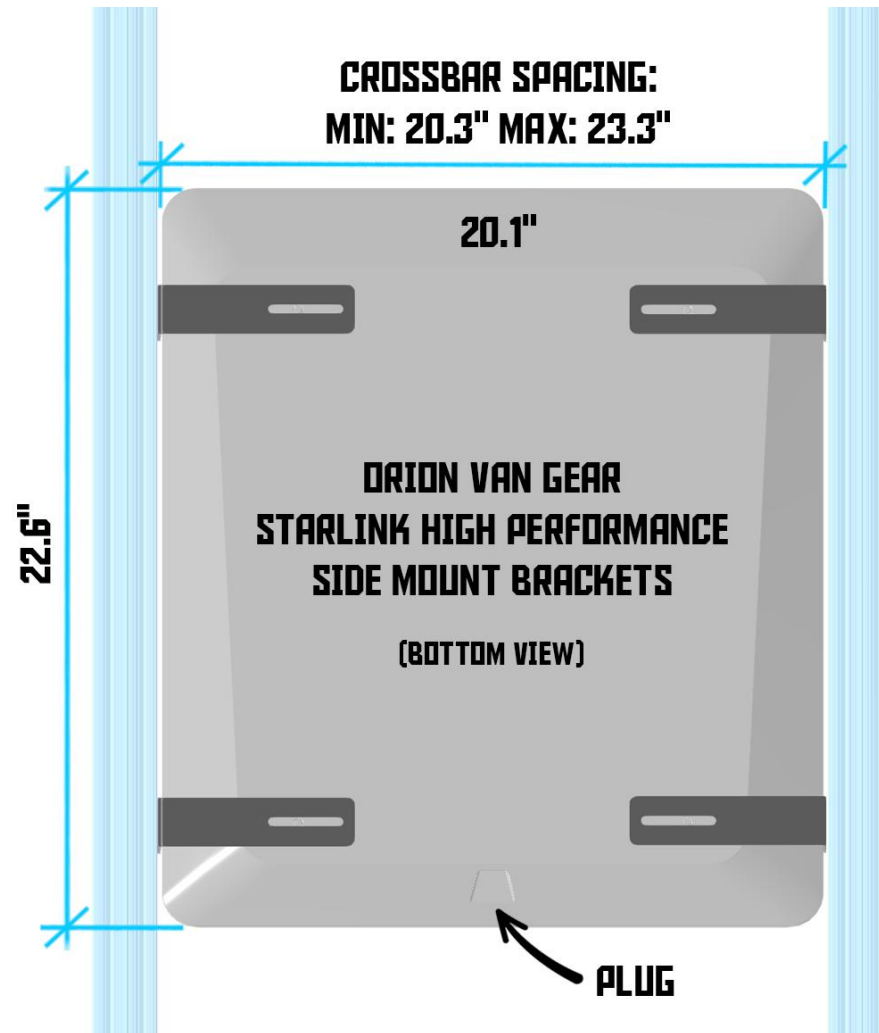


ORION VAN GEAR

Flat High Performance Starlink Mounting Brackets - Side Mount
Designed for 2"x1" or 3x1" 8020 Crossbars.



PLEASE READ BEFORE INSTALLATION

ORION VAN GEAR LLC STRONGLY RECOMMENDS PROFESSIONAL INSTALLATION OF AFTERMARKET ACCESSORIES TO YOUR VEHICLE. IMPROPER INSTALLATION COULD RESULT IN AN AUTOMOBILE ACCIDENT AND COULD CAUSE SERIOUS INJURIES OR DEATH. YOU ARE RESPONSIBLE FOR ASSEMBLING AND SECURING ORION VAN GEAR PRODUCTS TO YOUR VEHICLE, CHECKING THE MOUNTING POINTS AND ATTACHMENTS PRIOR TO USE, AND REGULARLY INSPECTING THE PRODUCTS FOR WEAR AND OR DAMAGE. YOU MUST ENSURE THE PERSON(S) INSTALLING THE PRODUCT READ, UNDERSTAND, AND FOLLOW ALL INSTRUCTIONS AND WARNINGS BEFORE BEGINNING THE INSTALLATION. THE RESPONSIBILITY TO CORRECTLY INSTALL ORION VAN GEAR PRODUCTS IS YOURS AND MUST BE TAKEN SERIOUSLY. ORION VAN GEAR LLC WILL NOT BE HELD LIABLE OR RESPONSIBLE FOR DAMAGES OR PERSONAL INJURIES RESULTING FROM THE USE OF OUR PRODUCTS.



[LINK TO ORIONVANGEAR.COM](https://www.orionvangear.com)

- ALWAYS INSPECT YOUR PRODUCTS UPON ARRIVAL FOR SHIPPING DAMAGE OR MISSING PARTS
- REPORT MISSING OR DAMAGED PIECES TO OUR SUPPORT TEAM BEFORE BEGINNING THE INSTALLATION - SUPPORT@ORIONVANGEAR.COM



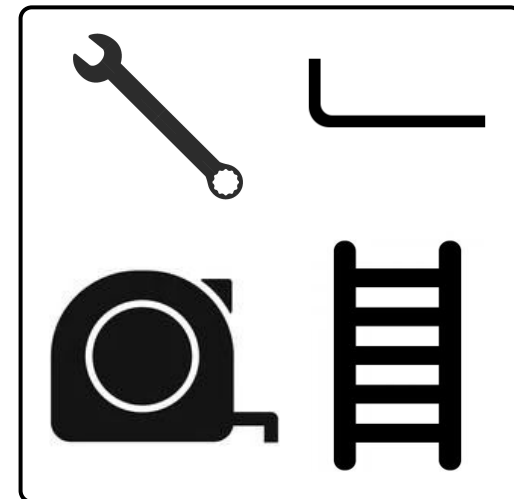
MATERIALS REQUIRED

REQUIRED

- 1x 5/32" Ball End Allen Key 1x Blue Threadlock (Medium Strength)
[RECOMMENDED ON T-NUT HARDWARE]
- 1x Step Ladder

RECOMMENDED

- 1x Extra Person
- Extra Rags (to keep things clean)



**Included hardware shown on next page*

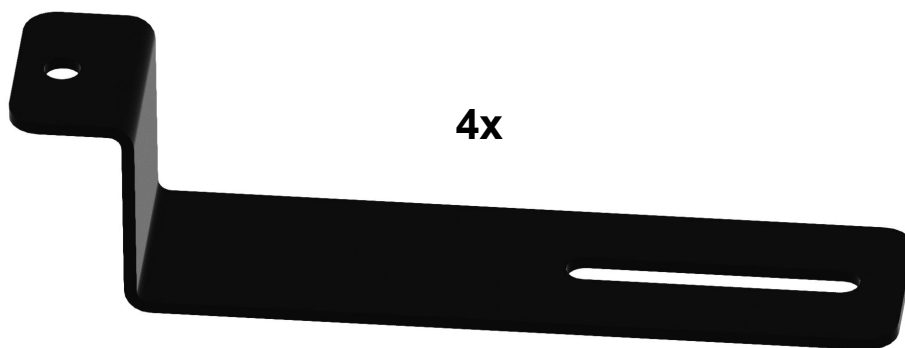


ORION VAN GEAR PRODUCTS
ARE PROUDLY MADE IN THE USA.



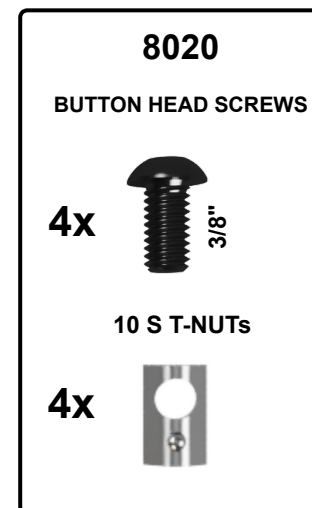
Included Hardware

Starlink Brackets



4x

1/4-20 Hardware



ORION VAN GEAR PRODUCTS
ARE PROUDLY MADE IN THE USA.



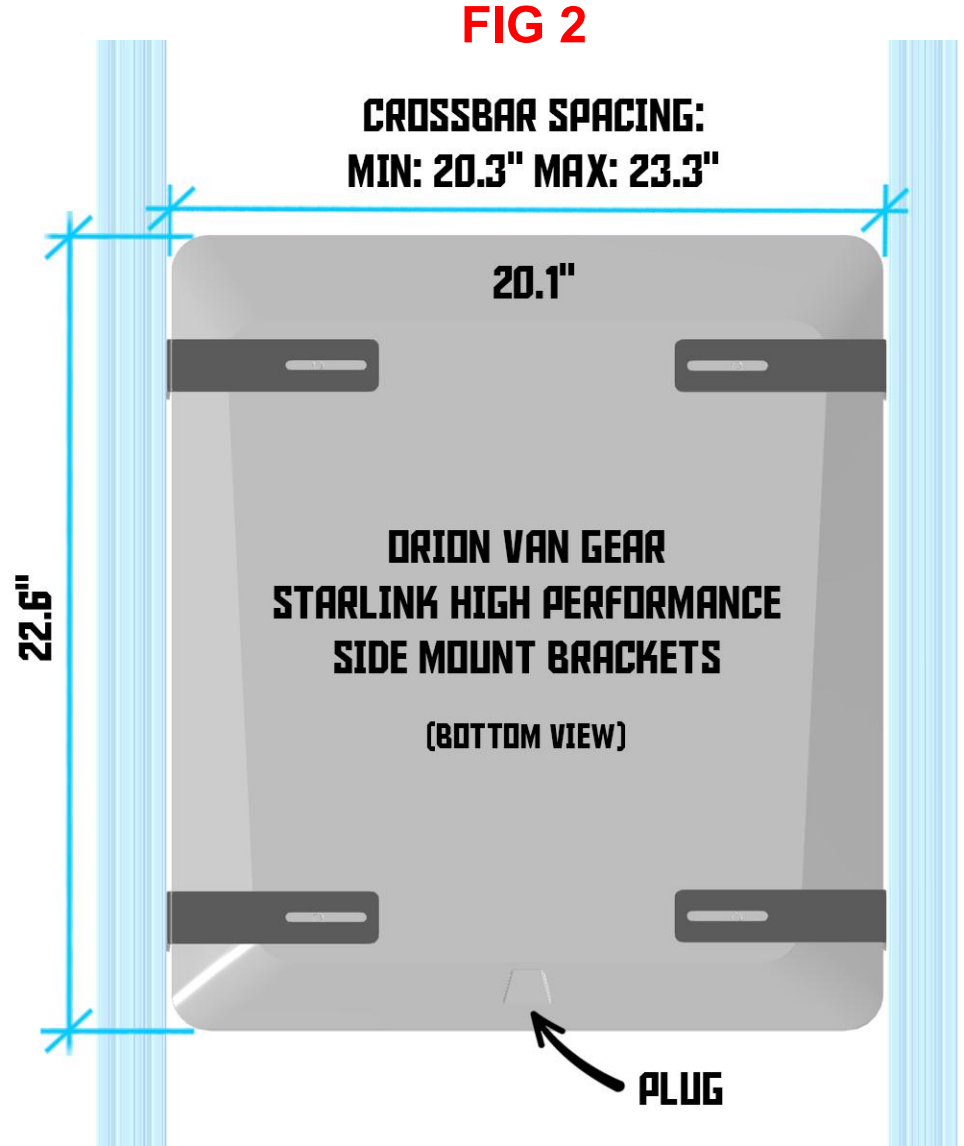
Installation Steps

[Watch a Video Here](#)

1 - Attach the STARLINK HIGH PERFORMANCE BRACKETS to the bottom of your Starlink High Performance unit using that supplied hardware that came with your dish.

2 - Position two crossbars so the Starlink dish fits between the crossbars with the edges of the brackets resting on each crossbar. See **FIG 2** for assistance (this is a bottom perspective). There is 3" of play built into the brackets to allow for different crossbar spacing based on your needs.

Step 3 is on the next page



ORION VAN GEAR PRODUCTS
ARE PROUDLY MADE IN THE USA.

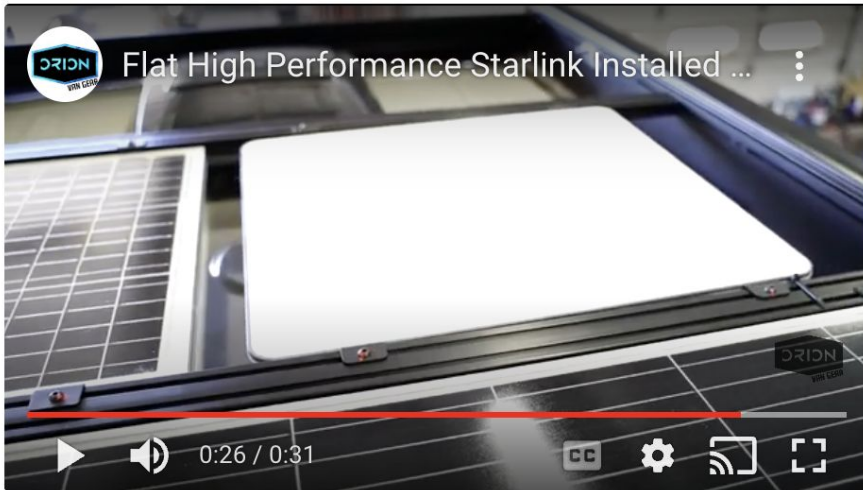


Installation Steps (cont'd)

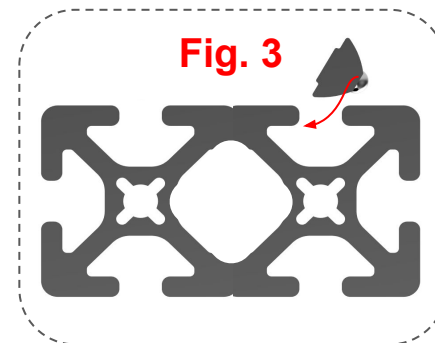
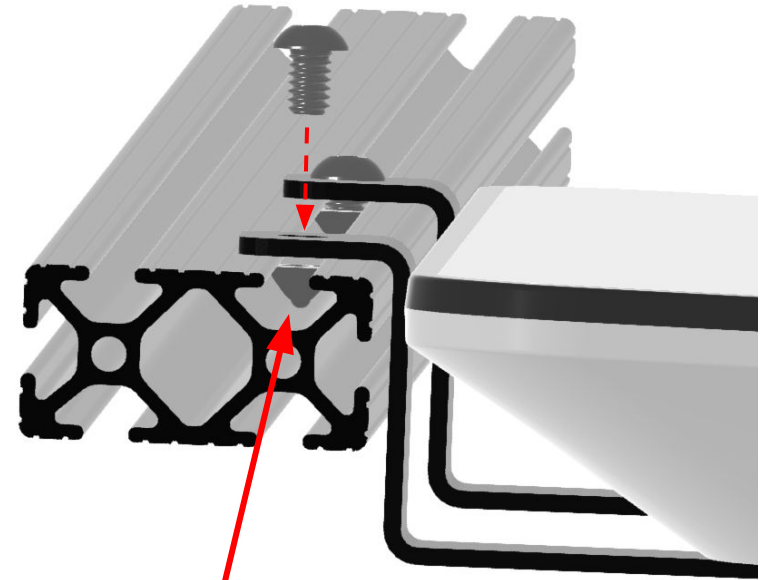
3 - Roll (2) T-NUTS into each crossbar where appropriate to line up with starlink bracket mounting holes (4 total) (**Fig. 3**).

4 - Place Starlink dish with attached Starlink Brackets on the crossbars so it aligns with the T-NUTS placed in Step 3. Orient the plug towards the side of the van that you desire.

5 - Insert (4) 3/8" SCREWS through the Starlink brackets into the T-NUTS and tighten all connections (Apply THREADLOCKER).



3/8" SCREW (4 EA)
10S TNUT (1/4-20) (4 EA)
APPLY THREADLOCKER



ORION VAN GEAR PRODUCTS
ARE PROUDLY MADE IN THE USA.



Review

Please write a review (takes less than a minute!) orionvanguard.com/pages/reviews

Positive reviews from awesome customers like you help others to feel confident about choosing Orion Van Gear too. Not only do reviews improve our products but they let others know that we care just as much about providing quality customer service as we do about making exceptional van products. We will be forever grateful if you take 60 seconds to share your experience with this products along with a few pictures of your solar on your rack. Thank you in advance for helping us out.



ORION VAN GEAR PRODUCTS
ARE PROUDLY MADE IN THE USA.



**FOR ANY QUESTIONS REGARDING INSTALLATION
OR REPLACEMENT PARTS CONTACT US:**



support@orionvangear.com



(971) 267-2552

STOKED WITH YOUR NEW ORION PRODUCTS?

Help us spread the word about by tagging us in your photos and videos (@OrionVanGear) on Instagram, Facebook, and TikTok!
We can't wait to see your adventures and hear your stories!



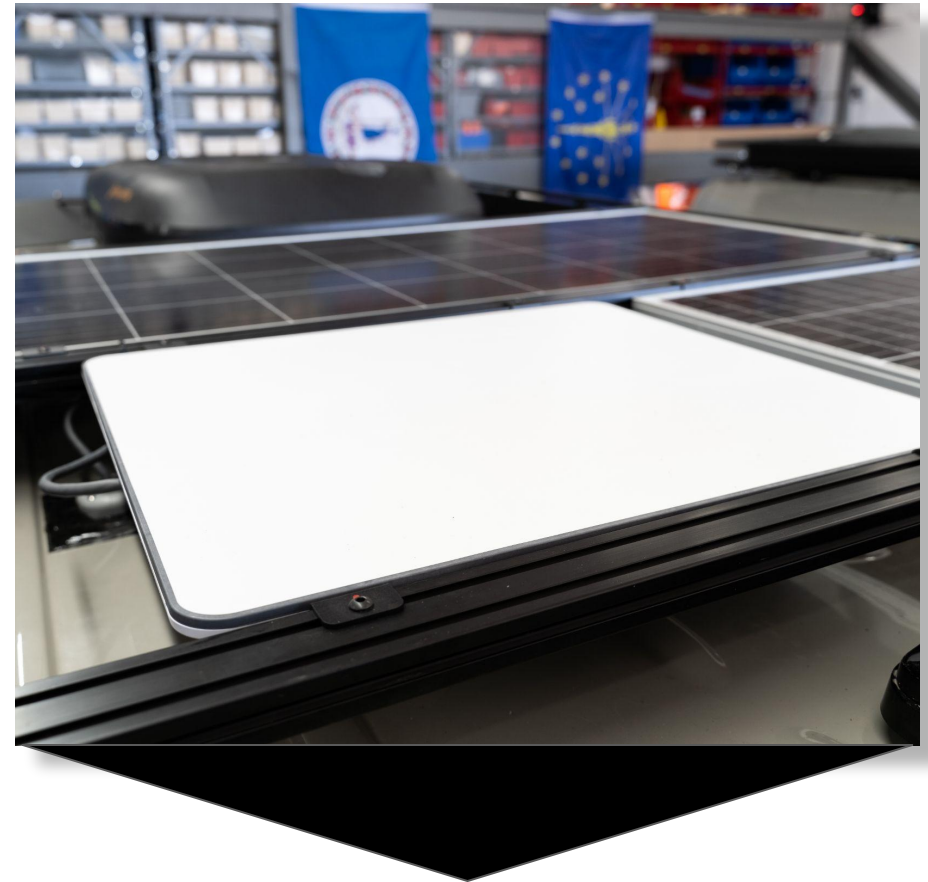
[instagram.com/orionvangear](https://www.instagram.com/orionvangear)



[facebook.com/orionvangear](https://www.facebook.com/orionvangear)



[tiktok.com/@orionvangear](https://www.tiktok.com/@orionvangear)



WIN UNIQUE PRIZES 🏆

Leave an eligible photo/video review on our website after installing our products to automatically enter to win unique prizes. You will receive a unique review link via email 2 weeks after your rack is delivered so keep an eye out! Or use this link: <https://orionvangear.com/pages/reviews>

FOLLOW, SNAP & TAG TO WIN!



Follow us
[@orionvangear](https://www.instagram.com/orionvangear)



Snap it



Tag it
[#OrionVanCrew](https://www.instagram.com/hashtag/orionvancrew)



Win Prizes!



ORION VAN GEAR PRODUCTS
ARE PROUDLY MADE IN THE USA.

