



DBI-SALA

Advanced Confined Space Safety Systems



fall protection experts:

height safety | confined space | industrial rescue





Leaders in Confined Space Entry and Retrieval Fall Protection

Confined spaces can be below or above ground and are found on most job sites. Each year many workers are injured or killed while performing their daily work activities in confined spaces. Confined spaces have limited openings for entry and exit which complicates rescue/retrieval and other emergency response services. These often dangerous work environments are enclosed or partially enclosed and not designed or intended for long-term human occupancy. A restrictive confined space can represent health and safety risks to anyone who enters.

Capital Safety is the only global company that has been dedicated entirely to fall protection and confined space entry/retrieval and rescue. Our ISO 9001-2000 certification drives superior engineering, quality manufacturing and unparalleled customer service. Our design and engineering teams excel at finding the best way to keep workers totally safe and comfortable.

Combining experience and knowledge with state-of-the-art outdoor and indoor testing procedures, we produce the most technologically advanced safety equipment in the world. This equipment exceeds both national and international standards, including OSHA, ANSI, CSA, CE and AS/NZS. We call it "creating a higher standard of safety".

Your partner in safety

The highly trained professionals at Capital Safety educate, train and provide extensive long term support to ensure that all aspects of your fall protection program are successful. Choose DBI-SALA brand products—your first and best choice for the most comprehensive collection of innovative fall protection products for any confined space application.

Providing a safe means for workers to access and work in all types of Confined Space Applications.

Industry Experience 2

ABCD's of Fall Protection 3

Advanced Hoist Systems 4-5

Advanced Davit Arm Systems..... 6-7

Advanced Portable Bases 8-9

Advanced Vehicle Hitch Mount Sleeve..... 10

Advanced Davit Arm Bags & Accessories 11

Advanced Fixed Bases 12-13

Advanced Counterweight Systems 14-15

Advanced Pole Hoist Systems 16

Advanced Tank Pod System 17

Advanced Side Entry Systems 18-19

Advanced Portable Fall Arrest System 20-21

Self Retracting Lifelines 22-23

Advanced Digital Series Winches 24-26

Salalift™ II Winches, Brackets & Accessories .. 27

Training 28



A, B, C, D of Fall Protection

The A, B, C, D of Fall Protection covers the fundamental requirements of every personal fall protection system. Use it as a guide when evaluating your fall protection requirements, however, always consult a fall protection specialist if you're unsure of any aspect of fall protection or fall protection equipment.

A-Anchorage

Anchorage devices provide a secure point of attachment (to an existing structure) for the fall arrest system. Anchorage devices can be permanent or temporary and vary to suit the type of structure available.



B-Body Support

Full body harnesses connect the worker to the fall arrest system. They are specially designed to protect the worker against serious injury in the event of a fall whilst also remaining comfortable to wear.



C-Connectors

Connectors are devices that connect the full body harness to the anchorage system. They can be single products or multiple devices working together.



D-Descent/Rescue

Descent & Rescue systems enable the retrieval of an injured or incapacitated worker. In the event of a rescue, this equipment facilitates rapid recovery of the worker without endangering other workers in the process.

Advanced Hoist Systems



The Advanced Series Hoist Systems are designed for manhole and confined space entry/retrieval applications.

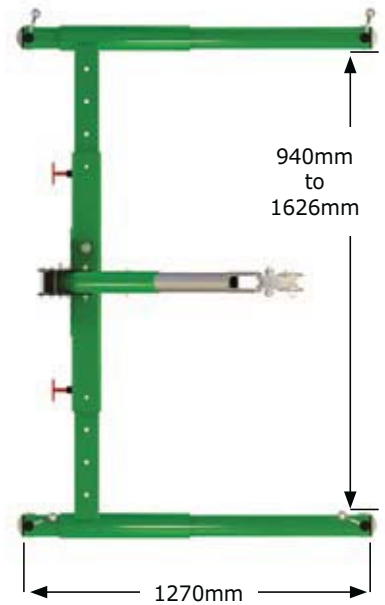
These units are constructed of lightweight materials including high-strength aluminium. The Davit pivots for ease of rescue and has a limited adjustment for overhead clearance restrictions. The lower base adjusts to fit most standard entries. Many other bases are available.

Options include lower masts to match overall height requirements.

Advanced 5 Piece Hoist System

| Model # | Description | Weight |
|---------|---|--------|
| 8518000 | Includes 305mm - 737mm adjustable offset upper mast (8518001), 838mm light-weight lower mast (8518002), and 3 piece lightweight base (8518005). | 45.5kg |

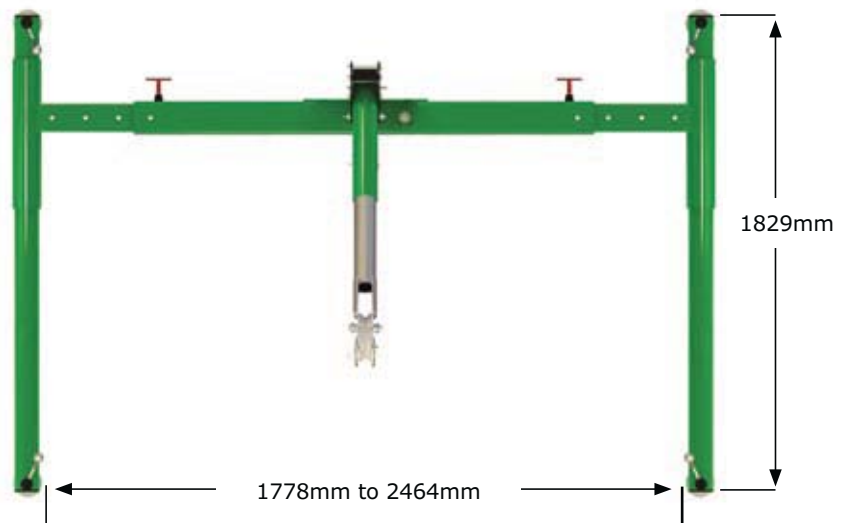
Note: Winch not included.



Advanced 5 Piece Hoist System

| Model # | Description | Weight |
|---------|--|--------|
| 8518040 | Includes 762mm - 1080mm adjustable offset upper mast (8518006), 838mm lightweight lower mast (8518002), and 3 piece lightweight base (8518008). Includes winch mount brackets. | 62.3kg |

Note: Winch not included.





Advanced Davit Arm Systems



1 - FALL ARREST ANCHORAGE

Davits feature a 2268kg anchor point for fall arrest anchorage.

2 - ADJUSTABLE HEIGHT

Eliminates the need for custom length masts and extensions.

3 - WINCH OPTIONS

Davits can be equipped with back mounted winches or SRL's with retrieval capabilities.

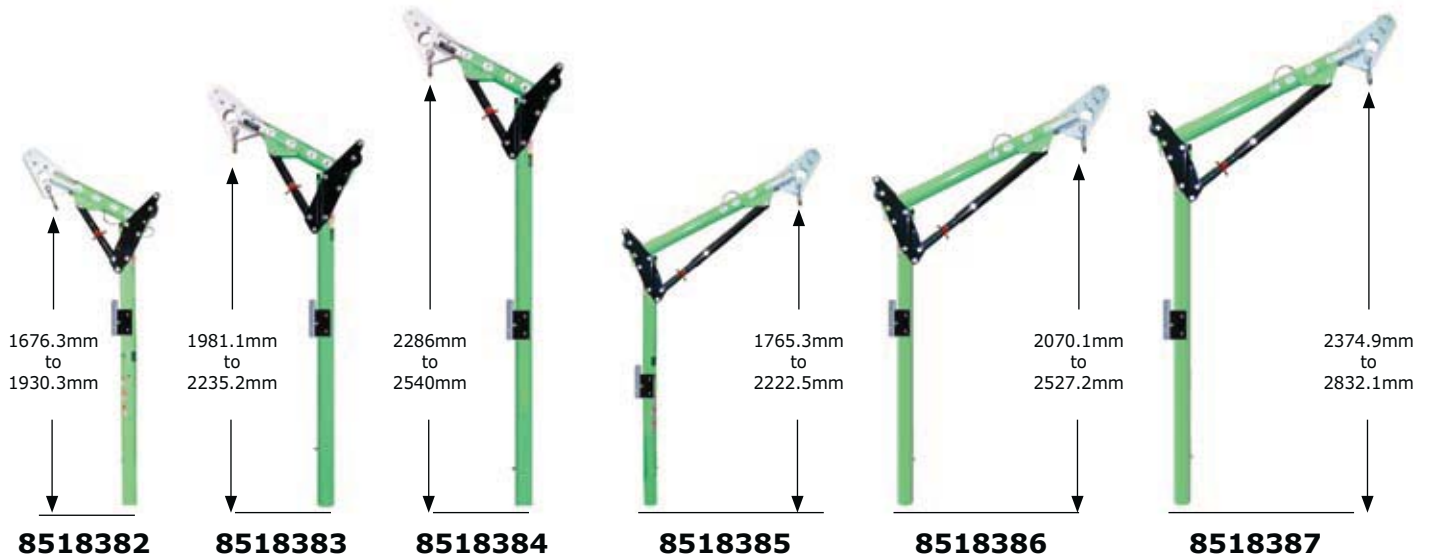
4 - LOWER MAST EXTENSIONS

Allow the user to increase the overall anchorage height of the system.

5 - BASE OPTIONS

Several portable and fixed base options are available for complete versatility.

Variable Offset Davits are designed for use where multiple offset masts are required. The Variable Offset Masts may be equipped with front mounted and/or back mounted winches or SRL's and feature a 2272kg capacity anchor point for fall arrest anchorage. For applications with overhead clearance restrictions, the adjustable height of the Variable Offset Masts can eliminate the need for custom length masts and mast extensions. The addition of the quick-release pin allows for easy collapsibility and transport.



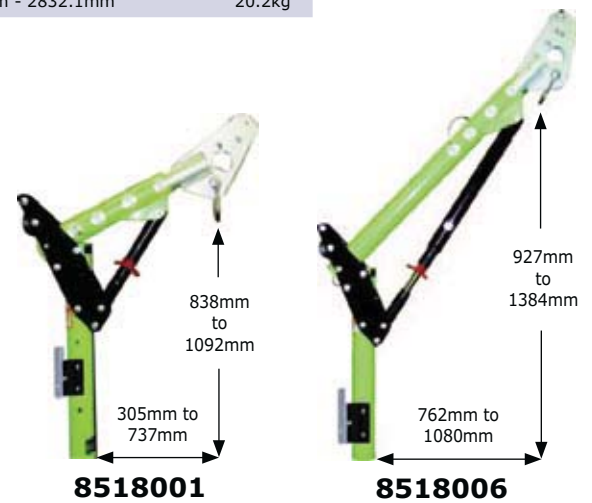
Advanced One Piece Adjustable Offset Davits

| Model # | Description | Weight |
|----------------|--|--------|
| 8518382 | One Piece Adjustable Offset Mast 305mm - 737mm, Anchor Point Height 1676.3mm - 1930.3mm | 15.3kg |
| 8518383 | One Piece Adjustable Offset Mast 305mm - 737mm, Anchor Point Height 1981.1mm - 2235.2mm | 16.6kg |
| 8518384 | One Piece Adjustable Offset Mast 305mm - 737mm, Anchor Point Height 2286mm - 2540mm | 18.0kg |
| 8518385 | One Piece Adjustable Offset Mast 762mm - 1080mm, Anchor Point Height 1765.3mm - 2222.5mm | 17.5kg |
| 8518386 | One Piece Adjustable Offset Mast 762mm - 1080mm, Anchor Point Height 2070.1mm - 2527.2mm | 18.9kg |
| 8518387 | One Piece Adjustable Offset Mast 762mm - 1080mm, Anchor Point Height 2374.9mm - 2832.1mm | 20.2kg |

Advanced Upper Offset Masts

Masts come standard with one set of winch mount brackets to accommodate a DBI-SALA winch or SRL. Additional brackets are available.

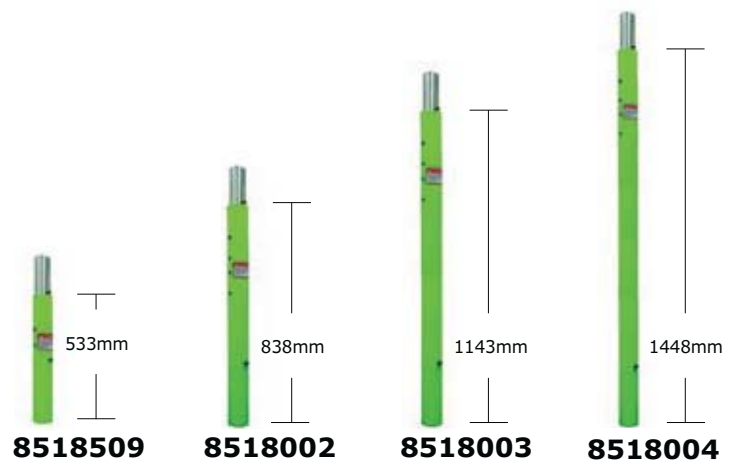
| Model # | Description | Weight |
|------------------|--|---------|
| 8518001 | 305mm to 737mm | 11.25kg |
| 8518006 | 762mm to 1067mm | 13.75kg |
| 8518006AU | Mast Offset Reach 762mm - 1080mm, Anchor Point Height 927mm - 1384mm This model is rated to 15kN | 16.75kg |



Advanced Lower Masts & Extensions

Working length lower mast/extensions for use only with Advanced Series Davit. Combine up to 2 lower mast extensions to increase the anchorage height. *Custom lengths are available. Please call.

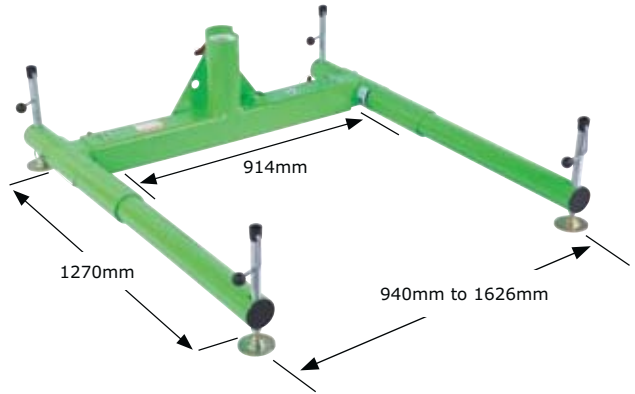
| Model # | Description | Weight |
|----------------|-------------|--------|
| 8518509 | 533mm | 6.8kg |
| 8518002 | 838mm | 8.2kg |
| 8518003 | 1143mm | 9.5kg |
| 8518004 | 1448mm | 10.9kg |





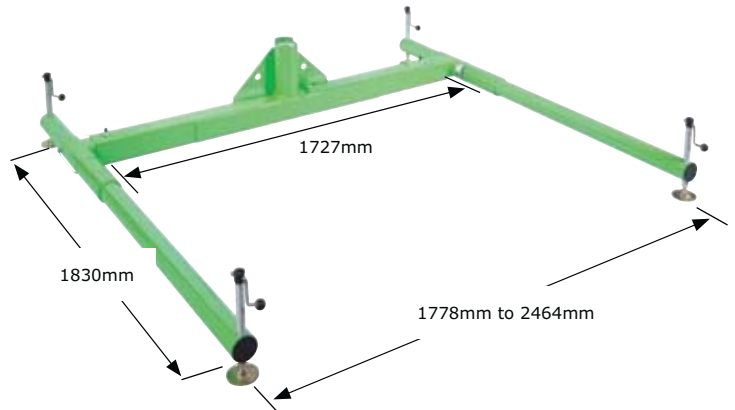
Advanced 3 Piece Expandable Base For Max. 737mm Offset

| Model # | Description | Weight |
|---------|---|--------|
| 8518005 | Advanced 3 Piece Expandable Base For Max 737mm Offset | 27.3kg |



Advanced 3 Piece Expandable Base For Max. 1080mm Offset

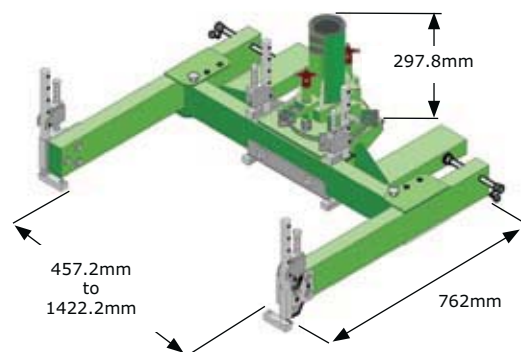
| Model # | Description | Weight |
|-----------|--|--------|
| 8518008 | Advanced 3 Piece Expandable Base For Max 1080mm Offset | 41.8kg |
| 8518008AU | Width 1778mm - 2464mm, Length 2345mm This model is rated to 15kN | 65.3kg |



Advanced Portable and Fixed Bases work with a variety of Advanced Davit Arm and Mast Extensions. Portable bases are ideal for work areas where frequent set-up and tear down is required. Fixed bases mount to existing structures.

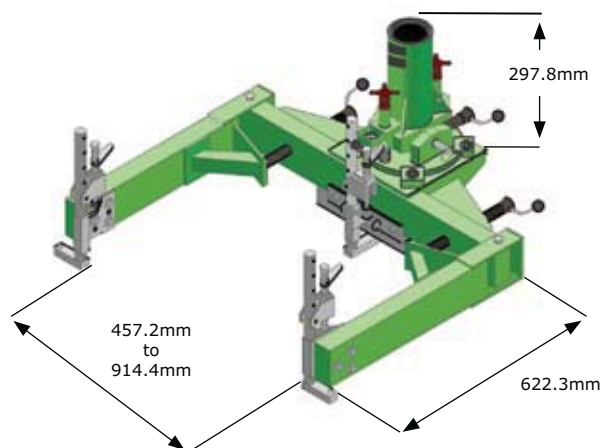
External Tank Collar

| Model # | Description | Weight |
|---------|--|--------|
| 8519377 | Comes with Adjustable Sleeve 37.2kg Assembly (8511232). Used on manways with a flange structure that the unit may be secured onto. This collar can clamp onto 152 mm max thick flange. | 37.2kg |



Internal Tank Collar

| Model # | Description | Weight |
|---------|--|--------|
| 8519378 | Comes with Adjustable Sleeve Assembly (8511232). Used on manways with a structure that the unit may be secured onto. This collar may be used with sleeve assemblies and masts or for vertical entries. | 27.7kg |



Manhole Collar

| Model # | Description | Weight |
|---------|--|---------|
| 8510501 | Designed for applications involving frequent setups over similarly sized access openings. Lightweight, powder-coated aluminium construction for portability. Comes with PVC sleeve liner. Custom sizes and shapes available. Please call for more information. | 16-27kg |
| 8510520 | 495mm Manhole Collar for use on manways 508mm - 558mm in diameter | 16-27kg |
| 8510457 | 546mm Manhole Collar for use on manways 558mm - 609mm in diameter | 16-27kg |
| 8510163 | 597mm Manhole Collar for use on manways 609mm - 660mm in diameter | 16-27kg |
| 8510633 | 647mm Manhole Collar for use on manways 660mm - 711mm in diameter | 16-27kg |
| 8510632 | 698.5mm Manhole Collar for use on manways 711mm - 762mm in diameter | 16-27kg |
| 8510546 | 749mm Manhole Collar for use on manways 762mm - 812mm in diameter | 16-27kg |
| 8512994 | 851mm Manhole Collar for use on manways 863mm - 914mm in diameter | 16-27kg |



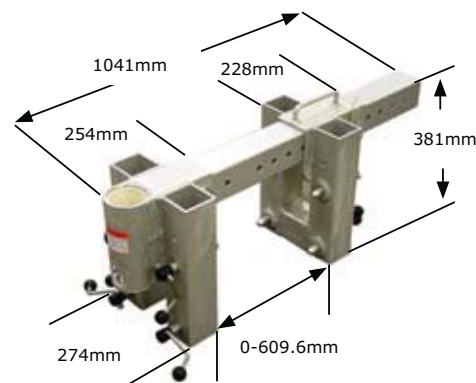
Barrel Mount Sleeve with 89mm Opening

| Model # | Description | Weight |
|---------|---|--------|
| 8510323 | Mild steel construction. Eight independent clamping screws allow temporary installations over edges of shoring cans, walls and other structures. Comes with PVC inner liner. Custom fit openings available. | 16.6kg |



Adjustable Barrel Mount Sleeve

| Model # | Description | Weight |
|---------|--|--------|
| 8512285 | Designed for shoring, wall and parapet applications where frequent set-up over varying wall thicknesses is required. Standard unit accommodates wall thicknesses up to a maximum of 609.6mm, with shorter or longer adjustment tubes available on request. Anodized, welded aluminium with zinc plated steel hardware for lightweight durability. Comes with inner sleeve. Custom sizes are available. | 25.5kg |



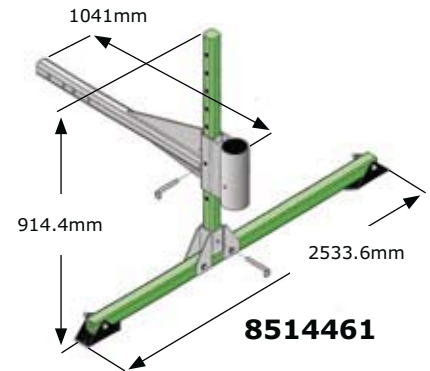
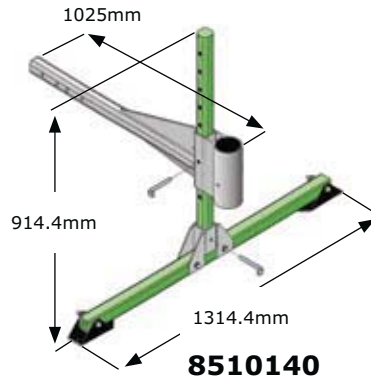
Advanced Vehicle Hitch Mount Sleeve



The Vehicle Hitch Mount Sleeve is designed to install into a 51mm hitch receiver on an attendant vehicle to provide a portable anchor point for confined space entry/retrieval, rescue and fall-arrest systems. Various sockets, extensions and accessories are available to allow use of the sleeve in a multitude of situations.

Advanced Vehicle Hitch Mount Sleeve

| Model # | Description | Weight |
|----------------|---|--------|
| 8510140 | Assembly for a maximum 736.6mm Offset Mast | 25.8kg |
| 8514461 | Assembly for a maximum 1219.2mm Offset Mast | 28.1kg |



Vehicle Hitch Sleeve Extensions

Extensions are available in a variety of lengths. A maximum of one extension can be used with a hitch mount and a bumper attachment.

| Model # | Description | Weight |
|----------------|------------------------|--------|
| 8514503 | 0.61m Sleeve Extension | 7.7kg |
| 8512829 | 1.21m Sleeve Extension | 12.6kg |
| 8511384 | 1.83m Sleeve Extension | 17.6kg |



Bumper Attachment Options

| Model # | Description | Weight |
|----------------|--|--------|
| 8511401 | Universal Joint Assembly. The Universal Joint Assembly installs between the standard model 8510140 Hitch Mount Sleeve or extensions and the attendant's vehicle to compensate for uneven ground conditions at the site. | 4.5kg |
| 8520886 | Universal Hitch Ball Coupler | 7.6kg |

Advanced 5 Piece Equipment Cart

| Model # | Description | Weight |
|---------|---|--------|
| 8518270 | Transport the Advanced 5 Piece System with maximum ease over smooth or rough terrain. Ideal for tight storage situations. | 8.9kg |



Carry Bags

| Model # | Description |
|---------|--|
| 8513330 | With protective plastic liner for Advanced Davit arms (8518383, 8518384, 8518386 and 8518387). |
| 8513564 | For 305mm - 737mm offset mast. Lower mast w/protective plastic liner. |
| 8518513 | Set of 2 for Model 8518000 5 Piece Hoist Systems. |
| 8513565 | For 3 Piece Base (8510732) c/w protective plastic liner. |



8513330



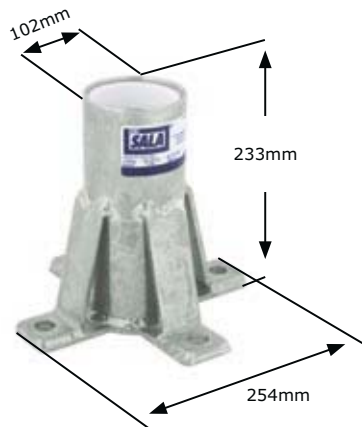
8513565



These essential accessories make transportation and storage of your Advanced Hoist Systems and components simple and easy.



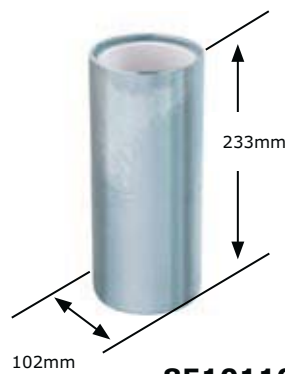
Advanced Portable and Fixed Bases work with a variety of Advanced Davit Arm and Mast Extensions. Portable bases are ideal for work areas where frequent set-up and tear down is required. Fixed bases mount to existing structures.



8518503

Floor Mount Sleeve

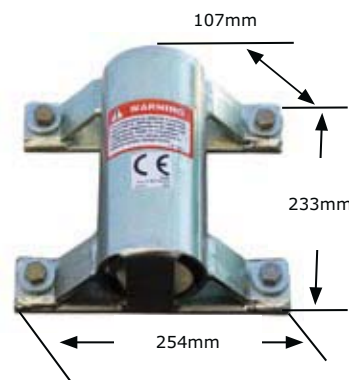
| Model # | Description | Weight |
|----------------|--|--------|
| 8518503 | Galvanised mild steel construction. Mounts to horizontal concrete or steel structure. Comes with PVC sleeve liner. | 5.9kg |
| 8518347 | 304 stainless steel | 5.9kg |



8510110

Core Mount Sleeve

| Model # | Description | Weight |
|----------------|--|--------|
| 8510110 | Stainless steel construction. Designed for slip-in installation into 101.6mm core hole in concrete or in an existing steel structure. Comes with PVC sleeve liner. | 3.6kg |



8518348

Wall Mount Sleeve

| Model # | Description | Weight |
|----------------|---|--------|
| 8518348 | 304 stainless steel construction. Compact design creates minimum intrusion into work space. Mounts to vertical concrete or steel structures. Comes with PVC sleeve liner. | - |
| 8518504 | Galvanised mild steel construction. | 5.5kg |

Flush Floor Mount Sleeve

| Model # | Description | Weight |
|---------|--|--------|
| 8510311 | Galvanised mild steel construction. Comes with pins for fresh concrete and cast-in-place concrete anchors for new construction or renovation. Flush mount design allows passage of traffic and eliminates trip hazards when not in use. Comes with PVC sleeve liner. | 9.5kg |
| 8512828 | Stainless steel construction. Comes with pins for fresh concrete installation. | 9.5kg |
| 8510316 | Galvanised mild steel construction. Recessed fastener pockets allow for bolt-in installation into existing concrete or steel structure. Flush mount design allows passage of traffic and eliminates trip hazards when not in use. Comes with PVC sleeve liner. | 9.5kg |
| 8512827 | Stainless steel construction for existing concrete installation. | 9.5kg |



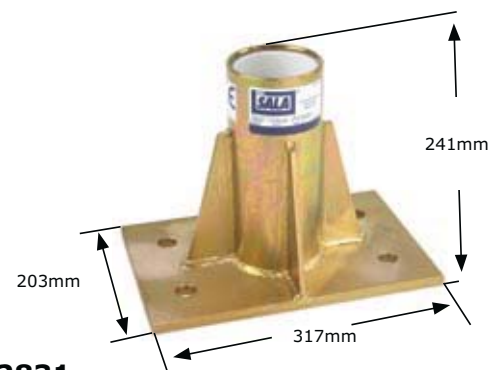
8510311



8510316

Centre Mount Sleeve

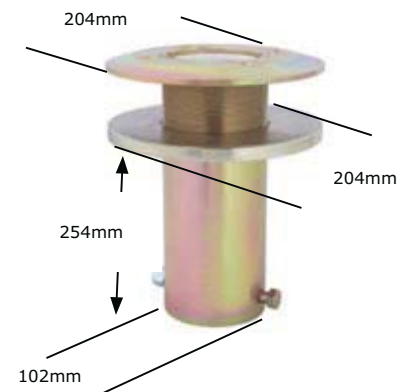
| Model # | Description | Weight |
|---------|--|--------|
| 8512831 | Zinc plated mild steel construction. Mounts to existing concrete. Comes with PVC sleeve liner. | 5.9kg |
| 8516563 | Stainless steel | 5.9kg |



8512831

Deck Mount Sleeve

| Model # | Description | Weight |
|---------|---|--------|
| 8515162 | Zinc plated mild steel construction. Designed to slip into a 101.6mm hole in existing flooring. Flush mount design allows passage of traffic and eliminates trip hazards when not in use. Comes with all necessary hardware. Mounts to thicknesses from 6.4mm - 50.8mm max. | 7.7kg |
| 8515834 | Stainless steel. Includes plastic stopper & mounting hardware. | 7.7kg |



8515834

Advanced Counterweight Systems



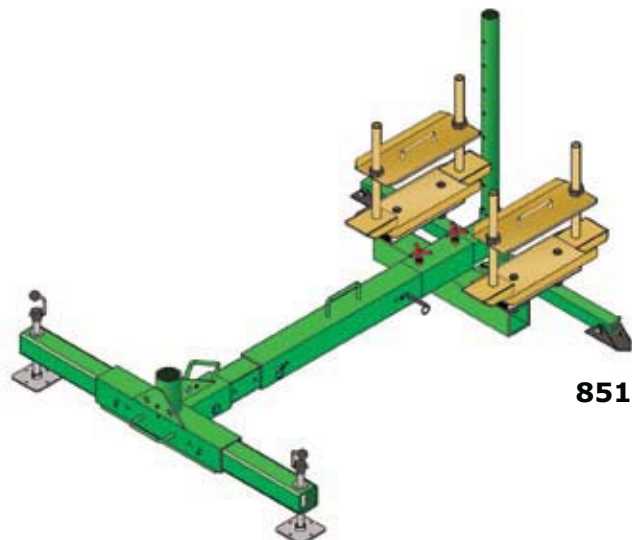
Advanced Counterweight Systems

| Model # | Description | Weight |
|----------------|--|--------|
| 8512894 | Counterweight System Base w/Pole Leg Assembly. | 90.2kg |
| 8514496 | Counterweight System Base w/Screw Leg Assembly. Use this base assembly with the Advanced Catwalk. Clamp to secure to the underside of elevated walkways, catwalks and mezzanines. This option offers a flexible means of tank entry into challenging areas. Weight plates sold separately. | 87.1kg |



8512894

Note: Winch and davit not included.



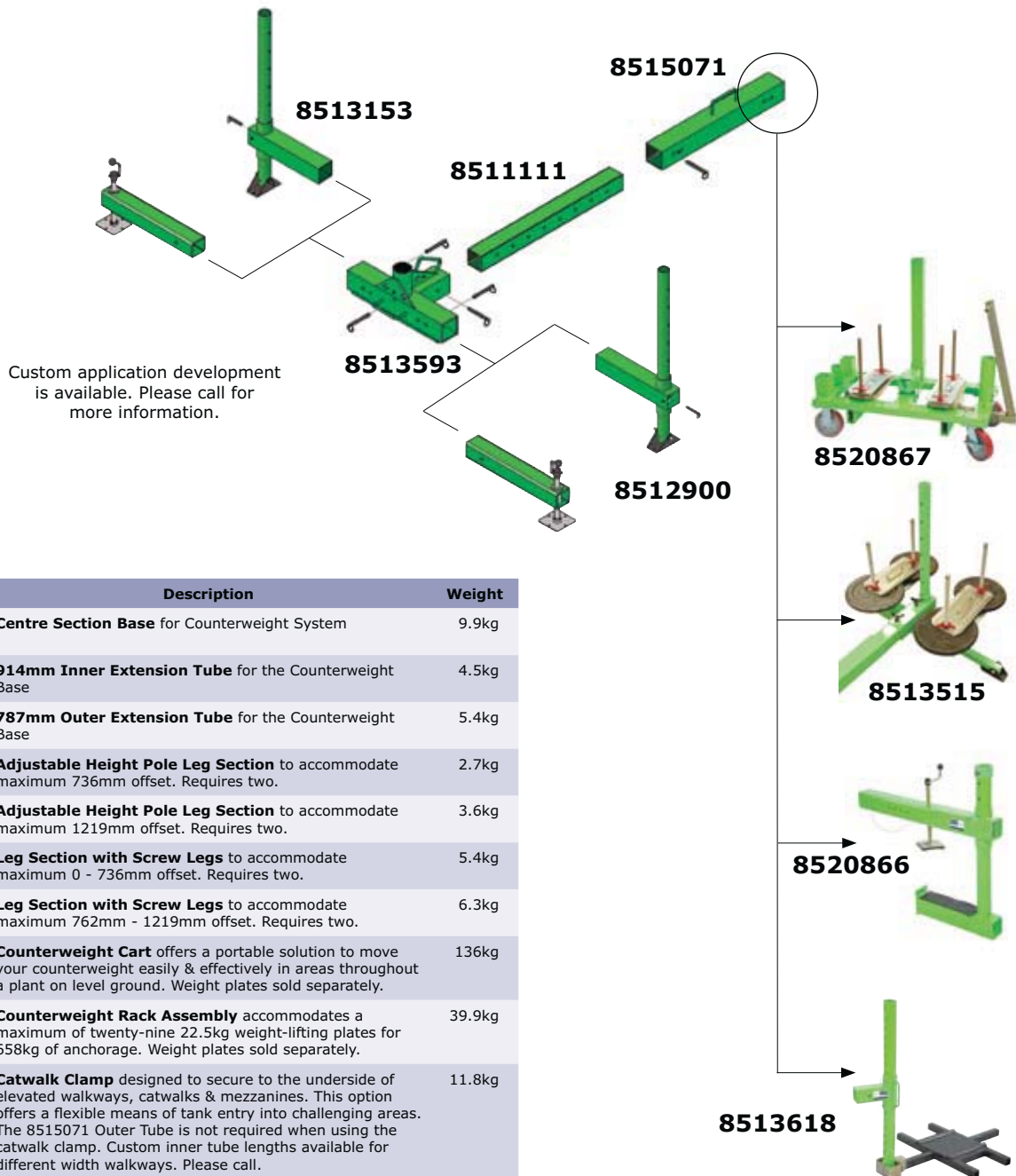
8514496

The Advanced Counterweight System is composed of a central base unit to accommodate a variety of anchoring options, positioning and adjustment legs, and extension assemblies. Anchoring options include a weight rack for counter balanced applications, and a wheel pad assembly to allow counter balance of the unit with an attendant vehicle.

NOTE: Individual weight plates sold separately.

Anchorage Options

The **Counterweight Base** assembles and disassembles without tools and can be fitted with a variety of anchorage and davit arm options for complete versatility. The Pole Leg Assembly system is ideal for use with the Counterweight Rack and Vehicle Counterweight Wheel Pad to adjust the height of the system to accommodate a leading edge. The Screw Leg Assembly System is ideal for use with the Counterweight Cart and Catwalk Clamp.



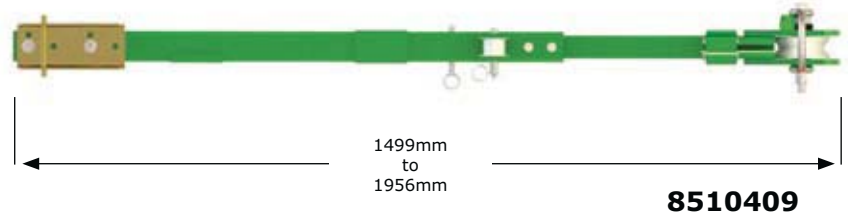
| Model # | Description | Weight |
|---------|--|--------|
| 8513593 | Centre Section Base for Counterweight System | 9.9kg |
| 8511111 | 914mm Inner Extension Tube for the Counterweight Base | 4.5kg |
| 8515071 | 787mm Outer Extension Tube for the Counterweight Base | 5.4kg |
| 8513153 | Adjustable Height Pole Leg Section to accommodate maximum 736mm offset. Requires two. | 2.7kg |
| 8514418 | Adjustable Height Pole Leg Section to accommodate maximum 1219mm offset. Requires two. | 3.6kg |
| 8512900 | Leg Section with Screw Legs to accommodate maximum 0 - 736mm offset. Requires two. | 5.4kg |
| 8520887 | Leg Section with Screw Legs to accommodate maximum 762mm - 1219mm offset. Requires two. | 6.3kg |
| 8520867 | Counterweight Cart offers a portable solution to move your counterweight easily & effectively in areas throughout a plant on level ground. Weight plates sold separately. | 136kg |
| 8513515 | Counterweight Rack Assembly accommodates a maximum of twenty-nine 22.5kg weight-lifting plates for 658kg of anchorage. Weight plates sold separately. | 39.9kg |
| 8520866 | Catwalk Clamp designed to secure to the underside of elevated walkways, catwalks & mezzanines. This option offers a flexible means of tank entry into challenging areas. The 8515071 Outer Tube is not required when using the catwalk clamp. Custom inner tube lengths available for different width walkways. Please call. | 11.8kg |
| 8513618 | Vehicle Counterweight System Wheel Pad allows counter balance of the Counterweight System with an attendant vehicle. | 18.4kg |

Advanced Pole Hoist Systems



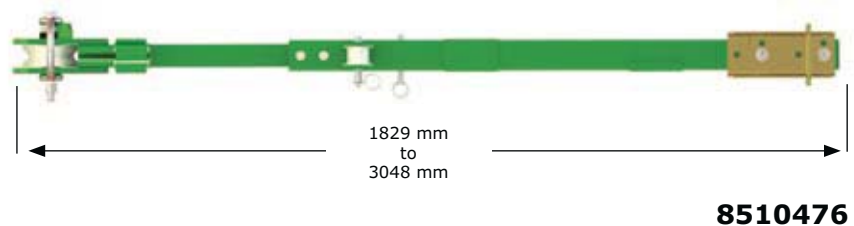
Advanced 1499mm - 1956mm Extendable Pole Hoist

| Model # | Description | Weight |
|----------------|--|--------|
| 8510409 | 1499mm - 1956mm Extendable Pole Hoist, swivel head & hardware. Includes winch bracket. | 5.4kg |
| 8516303 | 1499mm - 1956mm Extendable Pole Hoist, swivel head & stainless steel hardware. Includes winch bracket. | 5.4kg |



Advanced 1829mm - 3048mm Extendable Pole Hoist

| Model # | Description | Weight |
|----------------|--|--------|
| 8510476 | 1829mm - 3048mm Extendable Pole Hoist, swivel head & hardware. Includes winch bracket. | 6.4kg |
| 8520869 | 1829mm - 3048mm Extendable Pole Hoist, swivel head & stainless steel hardware. Includes winch bracket. | 6.4kg |



The Advanced Pole Hoist attaches with a carabiner on the universal bracket to a suitable anchor point, allowing you to work in any direction from any angle. The Advanced Pole Hoist has a unique swivel head that rotates 360 degrees, providing unparalleled flexibility in both vertical and horizontal confined-space entries. Overall length adjusts from either 1.2m - 2.13m or 1.8m - 3.05m for positioning attendant for working in close quarters. Custom Pole Hoist sizes are available. Please call for more details.

Accessory Options

| Model # | Description |
|----------------|---|
| 8511235 | T-bar leg assembly (required) |
| 8516442 | T-bar leg assembly w/stainless steel hardware and fasteners |
| 8513329 | Carrying Bag for 1499mm - 1956mm Pole Hoist |
| 8513330 | Carrying Bag for 1829mm - 3048m Pole Hoist |



8513700

Winch and SRL not included.



Advanced Tank Pod System & Accessories



8515982

| Model # | Description |
|----------------|--|
| 8513700 | Advanced Tank Pod, designed to secure to 15.8mm studs |
| 8515982 | Wheel Cart for Tank Pod |
| 8515981 | Stainless Steel Multiple Angle 19mm Weld-on Studs (3 pack) |
| 8515299 | Mounting Stud Extension Adaptor (3 pack) 12.7mm NC - 15.8mm NC |
| 8515300 | Mounting Stud Extension Adaptor (3 pack) 15.8mm NC - 15.8mm NC |
| 8515301 | Mounting Stud Extension Adaptor (3 pack) 19mm NC - 15.8mm NC |
| 8516012 | Tank Pod Mast Extension |



The Advanced Tank Pod is designed to mount to tank manways with existing hardware for securing hatch covers. It mounts to manway flanges on bolt circle diameters from 482.5mm - 914.4mm, with studs from 12.7mm - 19mm NC. Three independently adjustable legs accommodate flange inclinations to a maximum of 45 degrees. The unit can be set up in an overhead clearance of only 635mm. The Tank Pod can be fitted with a variety of winches, ladder systems and fall arrest devices to meet any application requirement.



8515981



8516012



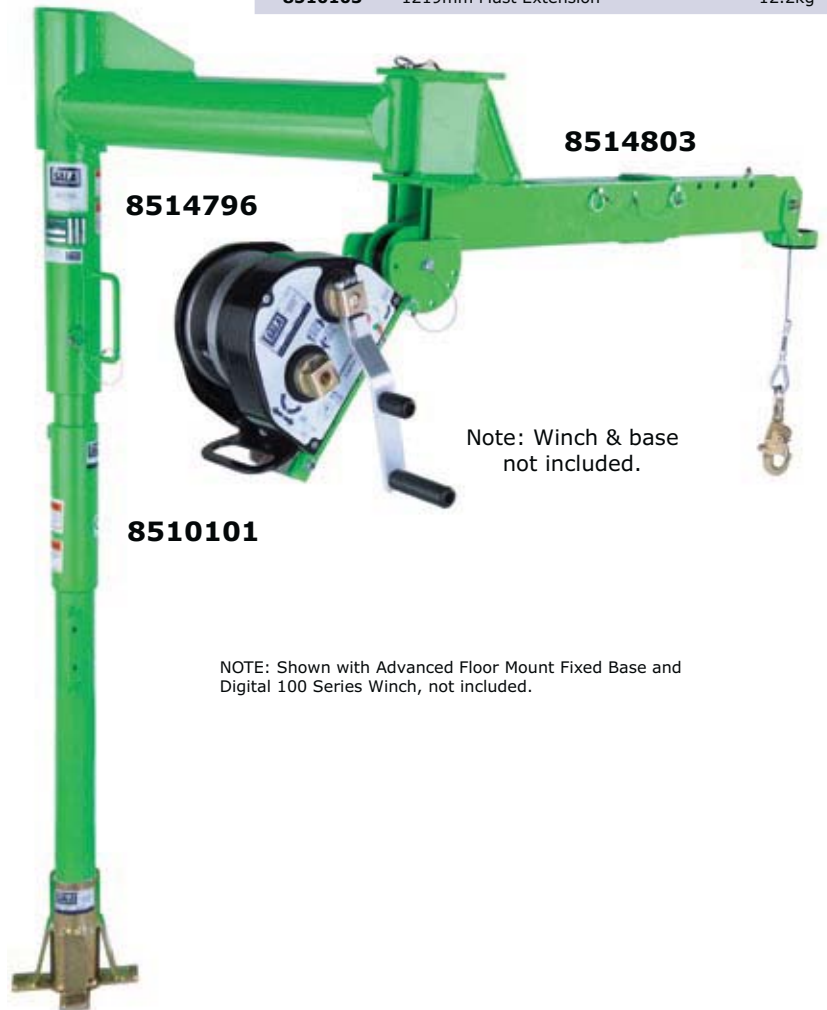
8515299



The Advanced Side Entry System is designed for confined space entry/retrieval and rescue operations involving horizontal entries with vertical positioning or retrieval required inside the space. The Advanced Side Entry System may be used with the model 8511231 External Adjustable Tank Collar for adaptation to different manways. It may also be used with a permanently mounted base and extension post (8514803). The Side Entry System features flexible setup options and a fully articulating boom system. It is fully adaptable to an infinite number of manway designs and surrounding configurations.

Advanced Side Entry System for Permanent Mount Applications

| Model # | Description | Weight |
|---------|---------------------------------|--------|
| 8514803 | Arm Assembly, Side Entry System | 19.9kg |
| 8514796 | Support Post: 965mm – 1359mm | 15.8kg |
| 8510100 | 381mm Mast Extension | 7.2kg |
| 8510101 | 610mm Mast Extension | 8.6kg |
| 8510102 | 914mm Mast Extension | 10.4kg |
| 8510103 | 1219mm Mast Extension | 12.2kg |



Note: Winch & base not included.

NOTE: Shown with Advanced Floor Mount Fixed Base and Digital 100 Series Winch, not included.

Fixed Base Options



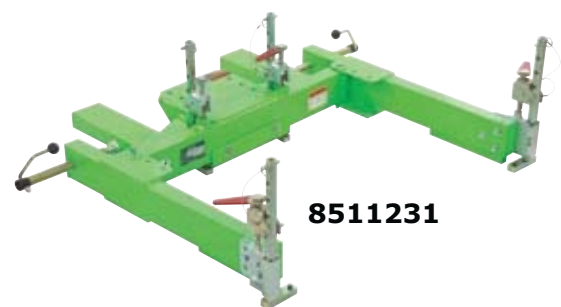
The **Advanced Side Entry System for Permanent Mount** applications can be used with a variety of fixed bases. Please see page 12-13 for more information.

Advanced Side Entry System for Portable Mount Applications

| Model # | Description | Weight |
|---------|---|--------|
| 8511231 | External Adjustable Tank Collar, w/tie bar assemblies, used to fit outside of manway | 23.5kg |
| 8511233 | Side Entry System Package for use with external adjustable tank collar or permanently mounted bases | 31.3kg |
| 8514909 | Large Winch Mount Bracket | 0.91kg |
| 8511832 | Small Winch Mount Bracket | 0.91kg |



Note: Winch not included.



8511231



8511233



8511832

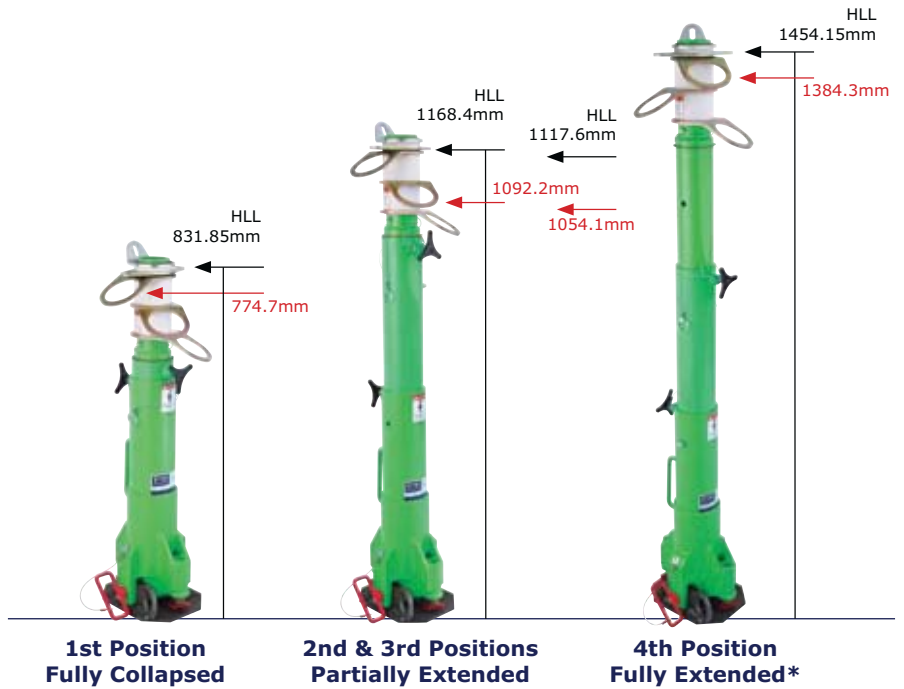
Advanced Portable Fall Arrest System



Advanced Portable Fall Arrest System

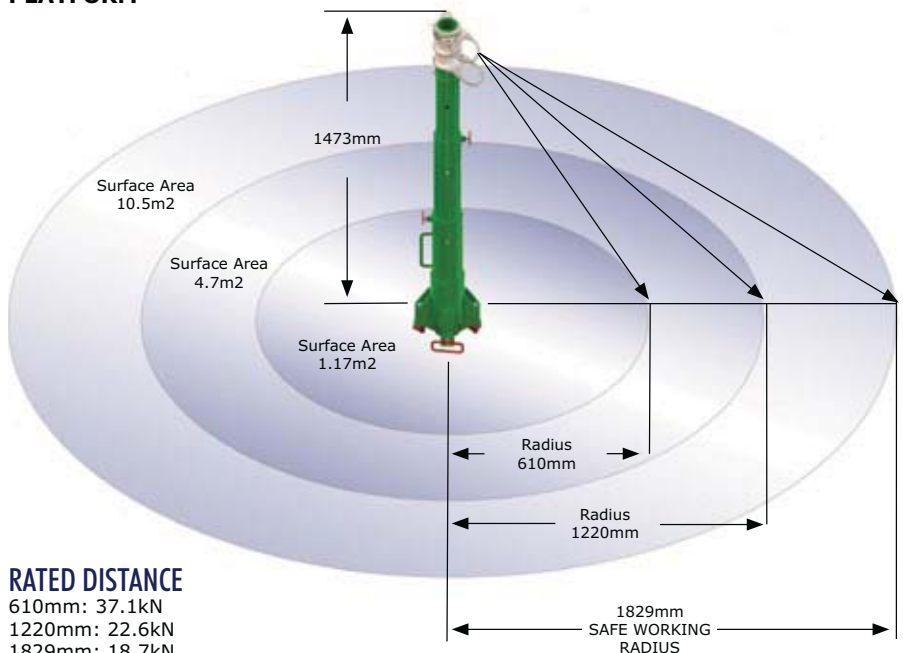
The Portable Fall Arrest System has 3 telescopic working heights ranging from 774mm - 1092mm, all the way up to 1384mm. This decreases a worker's fall distance and increase the overall work area. **NOTE: The Rescue Davit Arm works in the 2nd and 4th positions only.*

| Model # | Description | Weight |
|---------|--------------------------------------|--------|
| 8516691 | Advanced Portable Fall Arrest System | 17.2kg |



The Advanced Portable Fall Arrest Post is specifically designed for use on top of transformers or other types of vertical platforms with potential fall hazards. It's compact and lightweight design of only 17.2kg makes the post very easy to transport and put in place. The system features 3 independent swivel anchor points. They can rotate 360 degrees, offering freedom of mobility for up to 3 workers with self-retracting lifelines or fixed length lanyards.

PLATFORM



RATED DISTANCE

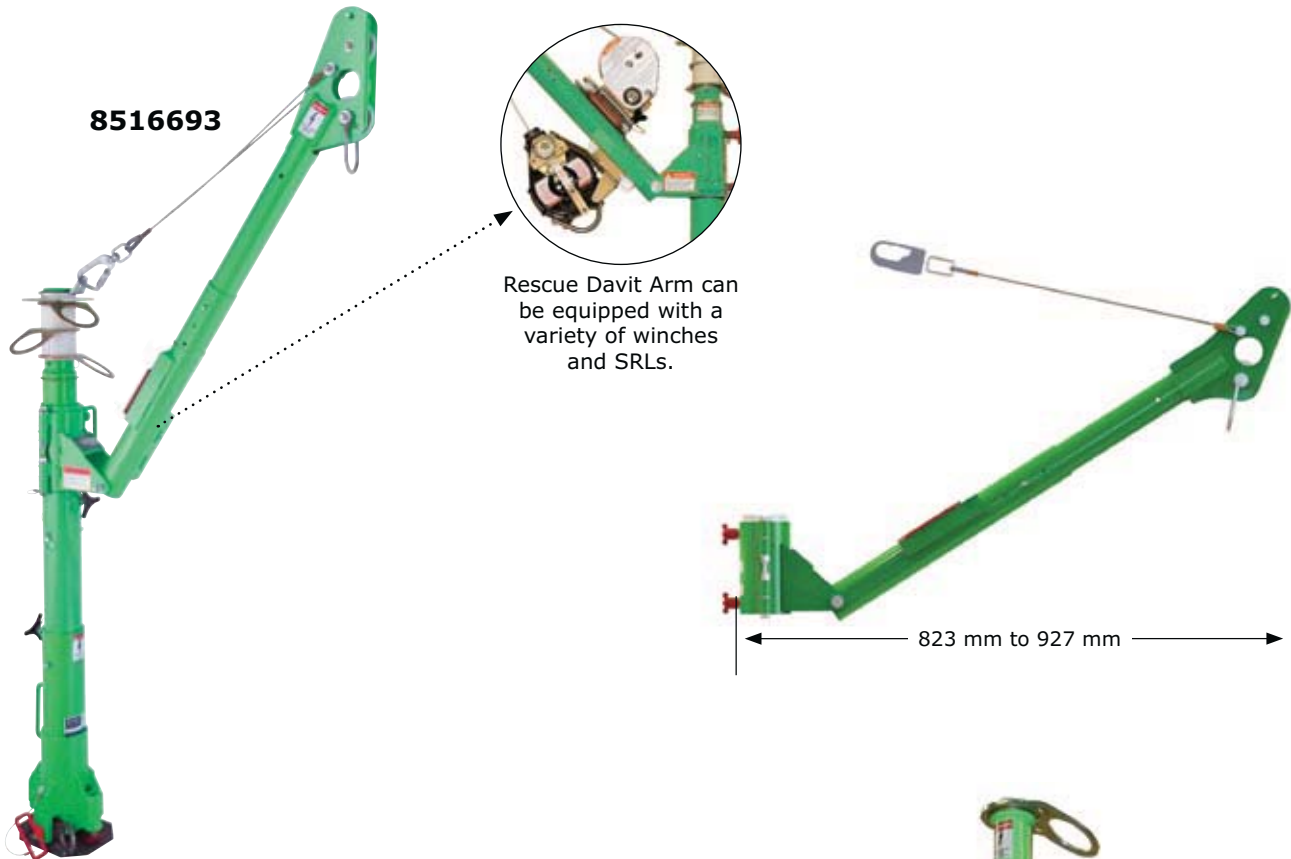
610mm: 37.1kN
1220mm: 22.6kN
1829mm: 18.7kN

Advanced Portable Fall Arrest Post Rescue Davit Arm

The optional Rescue Davit Arm assembles easily to address material handling or rescue needs. It's made with lightweight aluminium materials for easy transportation and setup.

**NOTE: The Rescue Davit Arm works in the 2nd and 4th positions only. See previous page.*

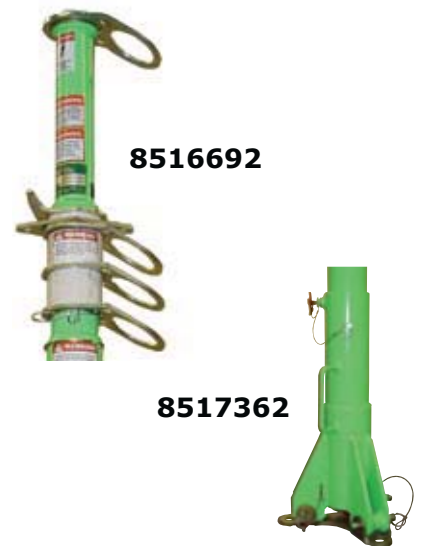
| Model # | Description | Weight |
|---------|---|--------|
| 8516693 | Advanced Portable Fall Arrest Post Rescue Davit Arm | 9.3kg |



Rescue Davit Arm can be equipped with a variety of winches and SRLs.

Portable Fall Arrest System Options & Accessories

| Model # | Description | Weight |
|---------|--|--------|
| 8517565 | Heavy-duty carrying bag for davit arm only. | - |
| 8512322 | Pro-Anchor Plate for use with the Pro-Anchor Style Post. | 2.6kg |
| 8516692 | 356mm Anchor Post Extension allows for tie-off of one worker at an increased height of 1740mm. | 2.2kg |
| 8512322 | Pro-Anchor Plate for use with the Pro-Anchor Style Post. | 2.6kg |
| 8517412 | Bare Steel Uni-Anchor with Tie-off Anchors for use in closed environments without chemical or moisture exposure. | 5.3kg |
| 8517565 | Heavy Duty Black Carrying/Storage Bag for Advanced Series PFAS Anchor Post or Davit Arm. | - |
| 8510816 | Weld-on Mounting Plate unplated mild steel construction. | 5.3kg |
| 8516997 | Uni-Anchor I-Beam Base for connecting the PFAS to an I-Beam. | 25.5kg |





Ultra-lok® RSQ Self Retracting Lifelines

The Ultra-Lok™ RSQ Self Retracting Lifeline offers a revolutionary design to allow the worker multiple options within one device, while offering the highest level of security and mobility.

Our exclusive dual-mode operation allows the user, prior to connection, to choose between fall arrest requiring assisted rescue, or self rescue. This two-in-one operation allows the device to be optimised for the work site while providing the ultimate level of worker safety.

Ultra-Lok® RSQ Models

| Model # | Description | Weight |
|---------|---|--------|
| 3504555 | Ultra-Lok™ RSQ Self Retracting Lifeline with Rescue, 15m length, stainless steel cable and hook | 8.5kg |



3504555

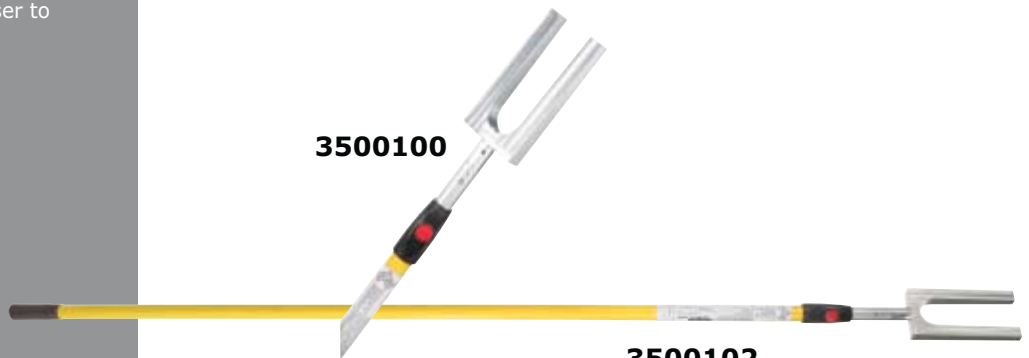


DBI-SALA Self Retracting Lifelines (SRL's) are the most technologically advanced fall protection devices available. SRL's extend and retract automatically, letting you comfortably move about at your normal speed within a recommended working area while operating at peak efficiency. Should a fall occur, a speed sensing brake system activates automatically stopping the fall and reducing the forces imposed on the user to safe levels.

Accessories

| Model # | Description |
|---------|---|
| 3500100 | Assisted Rescue Tool (if you already have a First-Man-Up™ Pole) |
| 3500102 | First-Man-Up™ Pole (2.4 - 4.8m) with Assisted Rescue Tool |

3500100



3500102

DBI-SALA's sealed SRL's incorporate a revolutionary patented sealed technology that separates all dynamic components from foreign elements such as grease, moisture and dirt. Our sealed range of SRL's are the most durable rugged units available, providing the ultimate in durability and corrosion resistance. Constructed with an aluminium and stainless steel heavy gauge housing that resists damage from impacts and ensures long lasting reliable performance, they are available in a variety of lengths with either stainless steel or galvanised lifelines and impact indicating snap hooks to suit a diverse range of applications. In the event of a fall, the brake will stop the fall and limit arresting forces to 4kN or less.

Sealed Self Retracting Lifelines

Unparalleled in the industry, this true-seal equipment ensures efficient, safe operation under all working conditions.

| Model # | Description | Total Weight |
|----------------|---|--------------|
| 3400803 | 9m of 5mm galvanised cable, with swivelling impact indicator hook and integral carrying handle | 7.0kg |
| 3400804 | 9m of 5mm stainless steel cable, with swivelling impact indicator hook and integral carrying handle | 7.0kg |
| 3400805 | 9m of 5mm stainless steel cable, with stainless steel swivelling impact indicator hook and integral carrying handle | 7.0kg |
| 3400806 | 9m of 5mm galvanised cable, with triple action karabiners and integral carrying handle | 7.0kg |
| 3400001 | 15m of 5mm galvanised cable, with 9502116 swivel snap hook (formerly 3403400) | 13.2kg |
| 3400002 | 15m of 5mm stainless steel cable, with 9502116 swivel snap hook (formerly 3403401) | 13.2kg |
| 3400012 | 15m of 5mm galvanised cable, with triple action karabiners | 13.2kg |
| 3400013 | 15m of 5mm stainless steel cable, with triple action karabiners | 13.2kg |
| 3400201 | 25m of 5mm galvanised cable, with 9502116 swivel snap hook (formerly 3403500) | 19.9kg |
| 3400202 | 25m of 5mm stainless steel cable, with 9502116 swivel snap hook (formerly 3403501) | 19.9kg |
| 3400212 | 25m of 5mm galvanised cable, with triple action karabiners | 19.9kg |
| 3400401 | 39m of 5mm galvanised cable, with 9502116 swivel snap hook (formerly 3403600) | 27.2kg |
| 3400402 | 39m of 5mm stainless steel cable, with 9502116 swivel snap hook (formerly 3403601) | 27.2kg |
| 3400408 | 39m of 5mm galvanised cable, with triple action karabiners | 27.2kg |



3400803



3400001

Emergency Retrieval Sealed Self Retracting Lifelines

This sealed man-rated personal fall arrest component incorporates a retrieval winch suitable for raising and lowering personnel in emergency rescue/retrieval situations.

| Model # | Description | Total Weight |
|----------------|---|--------------|
| 3400854 | 9m of 5mm galvanised cable, with swivelling impact indicator hook and integral carrying handle | 9.0kg |
| 3400855 | 9m of 5mm stainless steel cable, with swivelling impact indicator hook and integral carrying handle | 9.0kg |
| 3400856 | 9m of 5mm stainless steel cable, with stainless steel swivelling impact indicator hook and integral carrying handle | 9.0kg |
| 3400101 | 15m of 5mm galvanised cable with swivelling impact indicator hook (formerly 3403402) | 16.3kg |
| 3400102 | 15m of 5mm stainless steel cable with swivelling impact indicator hook (formerly 3403403) | 16.3kg |
| 3400301 | 25m of 5mm galvanised cable with swivelling impact indicator hook (formerly 3403502) | 23.6kg |
| 3400302 | 25m of 5mm stainless steel cable with swivelling impact indicator hook (formerly 3403503) | 23.6kg |
| 3400501 | 39m of 5mm galvanised cable with swivelling impact indicator hook (formerly 3403602) | 34.0kg |
| 3400502 | 39m of 5mm stainless steel cable with swivelling impact indicator hook (formerly 3403603) | 34.0kg |
| 3401065 | Mounting bracket, to fit 3403402/3400101 to tripod leg | 1.6kg |
| 3401123 | Mounting bracket, to fit 3403502/3400301 to tripod leg | 2.4kg |
| 3401140 | Mounting bracket, to fit 3403602/3400501 to tripod leg | 2.6kg |
| 3401255 | Stabilising handle, for retrieval self retracting lifelines | 2.9kg |



3400854



3400102

Advanced Digital Series Winches



MAN RATED

For raising, lowering or supporting personnel. Working load 204kg. Designed specifically for confined space entry/retrieval.

DIGITAL USAGE INDICATOR

The exclusive "digital usage indicator" system counts the revolutions of the drum to determine service intervals. Additional standard features include a braking system with 3 independent working pawls, centrifugal back-up brake, carrying handle and cable retainer spring.

COMPLIANT HARDWARE

Double locking swivel safety snaps standard on all cables. Sealed bearings at all contact points. All hardware is Zinc plated. All components are zinc-plated steel or anodised aluminium.

TRIPLE REDUNDANT BRAKING MECHANISM

A friction brake is engaged by a minimum of 2kg. Brake pad wear indicator monitors the condition of the braking mechanism, which features an inertial (centrifugal) safety back up brake.

Advanced Digital Series Winches are rated for a maximum working load of 204kg with an 11:1 safety factor. This winch has two cranking speeds capable of retrieval/descent from 4m/min to 9m/min.

Advanced Digital Winches are available in 3 standard sizes. It accommodates various diameters of cables up to 9mm and ropes up to 15.9mm. All cable/rope assemblies come with a double locking swivel snap hook with overload indicator.

Advanced Digital 100 Series 2 Speed Winch w/Removable Handle

This Advanced Digital 100 Series Winch includes a removable aluminium crank handle to utilise both our 9:1 and 4:1 drives. These two drives offer the capability of retrieval/descent at average speeds from 4m/min up to 9m/min.

| Model # | Description | Actual Length | Working Length | Total Weight |
|---------|--|---------------|----------------|--------------|
| 8518560 | Advanced Digital 100 Series Removable Handle, 18m galvanised cable assembly | 21.3m | 18.0m | 13.8kg |
| 8518558 | Advanced Digital 100 Series Removable Handle, 18m stainless steel cable assembly | 21.3m | 18.0m | 13.8kg |
| 8518564 | Advanced Digital 100 Series Removable Handle, 18m Technora rope assembly | 21.3m | 18.0m | 13.8kg |
| 8518561 | Advanced Digital 100 Series Removable Handle, 27m galvanised cable assembly | 30.0m | 27.0m | 14.7kg |
| 8518559 | Advanced Digital 100 Series Removable Handle, 27m stainless steel cable assembly | 30.0m | 27.0m | 14.7kg |



Advanced Digital 100 Series 2 Speed Winch w/9:1 Power Drive & 4:1 Removable Handle

The Advanced Power Drive Digital Winch features a power drive hub on the 9:1 drive. An overload protection clutch installs between this power drive hub and an electric or pneumatic drill to eliminate overloading the winch during retrieval. This clutch also protects the winch operator and the retrieved worker from injury. The clutch is installed and removed without the use of tools when switching to the 4:1 manual crank option in emergencies. (8512936: Overload Protection Clutch sold separately.)

| Model # | Description | Actual Length | Working Length | Total Weight |
|---------|---|---------------|----------------|--------------|
| 8518567 | Advanced Digital 100 Series Power Drive, 18m galvanised cable assembly | 21.3m | 18.0m | 13.8kg |
| 8518565 | Advanced Digital 100 Series Power Drive, 18m stainless steel cable assembly | 21.3m | 18.0m | 13.8kg |
| 8518568 | Advanced Digital 100 Series Power Drive, 27m galvanised cable assembly | 30.0m | 27.0m | 14.7kg |
| 8518566 | Advanced Digital 100 Series Power Drive, 27m stainless steel cable assembly | 30.0m | 27.0m | 14.7kg |
| 8518571 | Advanced Digital 100 Series Power Drive, 18m Technora rope assembly | 21.3m | 18.0m | 12.2kg |



Advanced Digital 200 Series 2 Speed Winch w/Removable Handle

This Advanced Digital 200 Series Winch includes a removable aluminium crank handle to utilise both our 9:1 and 4:1 drives. These two drives offer the capability of retrieval/descent at average speeds from 4m/min up to 9m/min.

| Model # | Description | Actual Length | Working Length | Total Weight |
|---------|--|---------------|----------------|--------------|
| 8518581 | Advanced Digital 200 Series Removable Handle, 42m galvanised cable assembly | 45.7m | 42.0m | 18.4kg |
| 8518579 | Advanced Digital 200 Series Removable Handle, 42m stainless steel cable assembly | 45.7m | 42.0m | 18.4kg |
| 8518582 | Advanced Digital 200 Series Removable Handle, 58m galvanised cable assembly | 61.0m | 58.0m | 13.8kg |
| 8518580 | Advanced Digital 200 Series Removable Handle, 58m stainless steel cable assembly | 61.0m | 58.0m | 13.8kg |



Advanced Digital 200 Series 2 Speed Winch w/9:1 Power Drive & 4:1 Removable Handle

The Advanced Power Drive Digital Winch features a power drive hub on the 9:1 drive. An overload protection clutch installs between this power drive hub and an electric or pneumatic drill to eliminate overloading the winch during retrieval. This clutch also protects the winch operator and the retrieved worker from injury. The clutch is installed and removed without the use of tools when switching to the 4:1 manual crank option in emergencies. (8512936: Overload Protection Clutch sold separately.)

| Model # | Description | Actual Length | Working Length | Total Weight |
|---------|---|---------------|----------------|--------------|
| 8518588 | Advanced Digital 200 Series Power Drive, 42m galvanised cable assembly | 45.7m | 42.0m | 18.4kg |
| 8518586 | Advanced Digital 200 Series Power Drive, 42m stainless steel cable assembly | 45.7m | 42.0m | 18.4kg |
| 8518589 | Advanced Digital 200 Series Power Drive, 58m galvanised cable assembly | 61.0m | 58.0m | 13.8kg |
| 8518587 | Advanced Digital 200 Series Power Drive, 58m stainless steel cable assembly | 61.0m | 58.0m | 13.8kg |



Advanced Digital 300 Series 2 Speed Winch w/Removable Handle

This Advanced Digital 300 Series Winch includes a removable aluminium crank handle to utilise both our 9:1 and 4:1 drives. These two drives offer the capability of retrieval/descent at average speeds from 4m/min up to 9m/min.



| Model # | Description | Actual Length | Working Length | Total Weight |
|----------------|--|---------------|----------------|--------------|
| 8518603 | Advanced Digital 300 Series Removable Handle, 73m galvanised cable assembly | 76.2m | 73.0m | 22.6kg |
| 8518601 | Advanced Digital 300 Series Removable Handle, 73m stainless steel cable assembly | 76.2m | 73.0m | 22.6kg |
| 8518604 | Advanced Digital 300 Series Removable Handle, 88m galvanised cable assembly | 91.0m | 88.0m | 19.5kg |
| 8518602 | Advanced Digital 300 Series Removable Handle, 88m stainless steel cable assembly | 91.0m | 88.0m | 19.5kg |

Advanced Digital 300 Series 2 Speed Winch w/9:1 Power Drive & 4:1 Removable Handle

The Advanced Power Drive Digital 300 Winch features a power drive hub on the 9:1 drive. An overload protection clutch installs between this power drive hub and an electric or pneumatic drill to eliminate overloading the winch during retrieval. This clutch also protects the winch operator and the retrieved worker from injury. The clutch is installed and removed without the use of tools when switching to the 4:1 manual crank option in emergencies. (8512936: Overload Protection Clutch sold separately.)



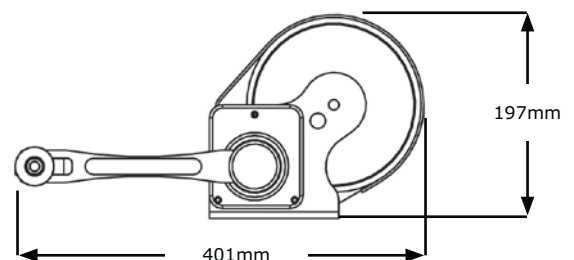
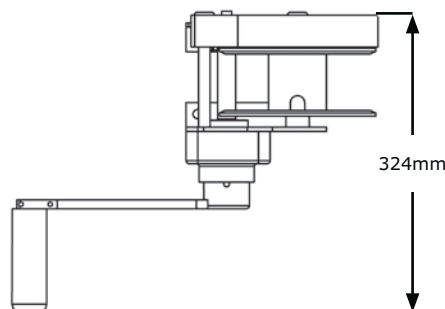
| Model # | Description | Actual Length | Working Length | Total Weight |
|----------------|---|---------------|----------------|--------------|
| 8518610 | Advanced Digital 300 Series Power Drive, 73m galvanised cable assembly | 76.2m | 73.0m | 22.6kg |
| 8518608 | Advanced Digital 300 Series Power Drive, 73m stainless steel cable assembly | 76.2m | 73.0m | 22.6kg |
| 8518611 | Advanced Digital 300 Series Power Drive, 88m galvanised cable assembly | 91.0m | 88.0m | 19.5kg |
| 8518609 | Advanced Digital 300 Series Power Drive, 88m stainless steel cable assembly | 91.0m | 88.0m | 19.5kg |

Advanced Basic Winch & Accessories

The Advanced Basic Series Winch holds up to 15 m of 5 mm diameter cable/rope. The zinc-plated Basic Series Winch comes with a Load Limiter Clutch to indicate a fall or misuse (requires annual re-certification from Capital Safety). *NOTE: Please remember to order Pt# 8516824 Mounting Bracket when ordering the Basic Series Winches for use with our Advanced Hoists, Davits, Bases & Accessories.*



| Model # | Description | Total Weight |
|----------------|---|--------------|
| 8518669 | Advanced Zinc Plated Basic Winch, Bolt-on Plate, 12.2m galvanised cable assembly | 10kg |
| 8518670 | Advanced Zinc Plated Basic Winch, Bolt-on Plate, 12.2m stainless steel cable assembly | 10kg |
| 8518671 | Advanced Zinc Plated Basic Winch, Bolt-on Plate, 12.2m Technora rope assembly | 9kg |
| 8517411 | Padded Carrying bag for Basic or Digital Winch, comes with Carrying Handle | 0.7kg |



Salalift™ II Winches

The Salalift™ II is manually operated for easy operation. Simply rotate the handle to raise or lower personnel or materials. Gear ratio is 6:1 with an average lifting speed of 3.8m/min. No power source is required. The Quick-Mount System incorporates a quick-mount bracket which mates with a bracket on all DBI-SALA support structures allowing the user to attach/detach device with a detent pin to make retrofitting easy (no additional hardware needed).

| Model # | Description | Total Weight |
|---------|---|--------------|
| 8102001 | Salalift™ II Winch w/ 18m of 6mm galvanised cable, mounting bracket & winch bag | 16.3kg |
| 8102003 | Salalift™ II Winch w/ 18m of 6mm stainless steel cable, mounting bracket & winch bag | 16.3kg |
| 8102009 | Salalift™ II Winch w/ 27m of 5mm galvanised cable, mounting bracket & winch bag | 15.8kg |
| 8102011 | Salalift™ II Winch w/ 27m of 5mm stainless steel cable, mounting bracket & winch bag | 15.8kg |
| 8102005 | Salalift™ II Winch w/ 37m of 5mm galvanised cable, mounting bracket & winch bag | 16.7kg |
| 8102007 | Salalift™ II Winch w/ 37m of 5mm stainless steel cable, mounting bracket & winch bag | 16.7kg |
| 8102050 | Salalift™ II Winch w/ 15m of synthetic Technora rope and lifeline counterweight, mounting bracket & winch bag | 14.9kg |



8102001

Winch Brackets & Accessories

| Model # | Description |
|----------|---|
| 8510207 | Winch/SRL adapter with flat back to attach DBI-SALA winch/SRL to structures. |
| 85129360 | Overload Protection Clutch features a maximum working load of 204kg. |
| 8516285 | Mounting Bracket attaches to winch, mates with 8510207. |
| 8516824 | Quick Release Mounting Bracket for Advanced Upper and Lower Masts. |
| 8517411 | Padded Carrying Bag for Basic or Digital winch, c/w Carrying Handle. |



8510207



85129360



8516285



8516824



8517411



FALL PROTECTION TRAINING

Capital Safety offers a range of internationally accepted courses nationally recognised under VETAB.

IN-HOUSE TRAINING FACILITIES

Custom-built, in-house training facilities at Capital Safety provides a hands-on training experience. Practical demonstrations, individual exercises and theoretical assessment ensure our courses build confidence and enhance safety competence when working at heights.



Courses are available via open enrolment and onsite

Our nationally recognised *Confined Space* training includes:

- MSAPMPER205B Enter confined space
- MSAPMOHS216A Operate breathing apparatus
- MSAPMOHS217A Gas test atmospheres
- MSAPMPER200B Work in accordance with an issued permit

Other industry leading height safety training:

- 91363NSW Course in Safe Work at Heights
- NEW!** The theory component of the Height Safety Awareness unit of study is also available via Online Learning, for more information visit our website
- RIIOHS204A Work safely at heights
- PUASAR004B Undertake vertical rescue.

*

Capital Safety is a Registered Training Organisation (NTIS Registration Number: 91276)

For course details or to book online visit
www.capitalsafety.com.au

Contact **Capital Safety** for your **Confined Space Solutions**.



HEAD OFFICE AND MANUFACTURING
95 Derby Street Silverwater NSW 2128 Australia
Phone: +61 2 8753 7600 Fax: +61 2 8753 7603
Email: sales@capitalsafety.com.au
DBI-SALA is a brand of Capital Safety



Call: 1800 245 002 (AUS) 0800 212 505 (NZ) www.capitalsafety.com.au