

# Hanging Guide

# CONGRATULATIONS ON YOUR NEW BATBNB!



You are now one step closer to keeping your yard safer from harmful pests while also protecting one of nature's most critically misunderstood animals. In this guide we'll be reviewing the features of your BatBnB as well as where and how to hang it for the best chance of occupancy.

We'll also be sharing interesting facts about these amazing animals and making you aware of new ways to get involved in conservation.

Thanks to you and the amazing bat community, we were able to take BatBnB from idea to reality all while keeping production here in the United States using sustainably sourced lumber.

*Thank you for your tremendous love and support.*



**CHRISTOPHER RÄNNEFORS**

| Co-Founder, BatBnB



**HARRISON BROADHURST**

| Co-Founder, BatBnB



**SUBMIT YOUR PHOTOS TO BATBNB.COM**

Upload a photo of your new BatBnB to [www.batbnb.com/gallery](http://www.batbnb.com/gallery) for a chance to win a free BatBnB t-shirt!



[www.facebook.com/batbnb](http://www.facebook.com/batbnb)

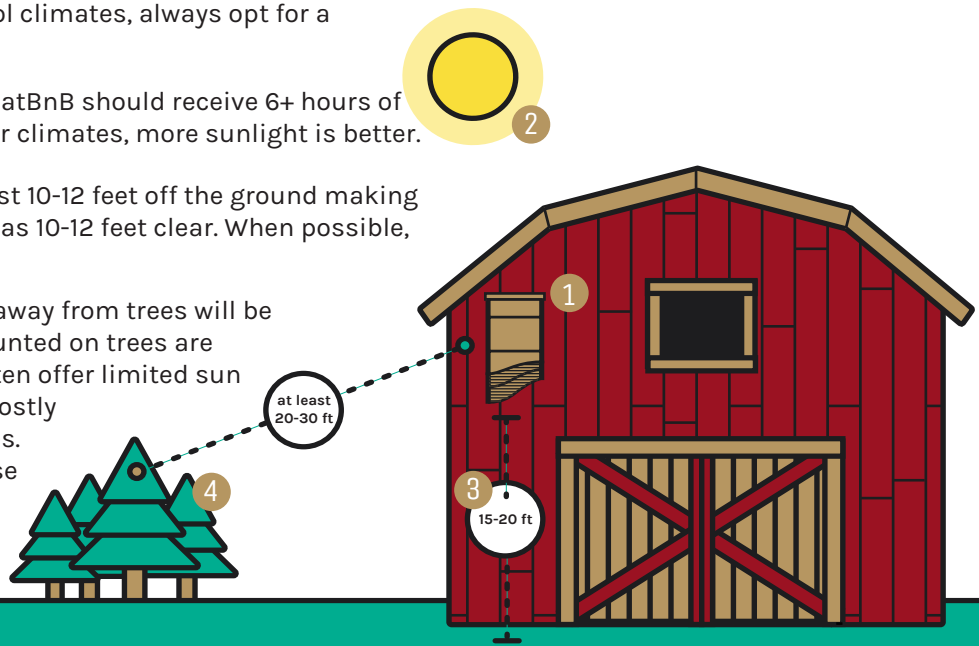


[@batbnb](https://www.instagram.com/batbnb)

# CHOOSING THE CORRECT LOCATION

The following recommendations have been vetted by bat conservationist Merlin Tuttle and will maximize your chances for early BatBnB occupancy. The most important factor to consider is location. Do your best to stick to the following and you should hopefully see bats in the next few seasons!

- 1 LOCATION:** A location on a post or the side of a house, barn, or shed is best. In particularly cool climates, always opt for a building.
- 2 SUN:** Even in hot climates your BatBnB should receive 6+ hours of direct sunlight daily, and in cooler climates, more sunlight is better.
- 3 HEIGHT:** Place the BatBnB at least 10-12 feet off the ground making sure the bottom of your BatBnB has 10-12 feet clear. When possible, 15-20 feet is better.
- 4** BatBnBs located at least 20 feet away from trees will be most successful. Bat houses mounted on trees are least successful because they often offer limited sun exposure and allow predators (mostly owls) to perch on nearby branches. If a tree is your only option, choose a sunny spot that is far from potential predator perches.



## PRO TIPS

- + Bats typically come out of hibernation in early spring, but consider mounting your BatBnB as soon as possible so your BatBnB has time to weatherize and the fresh cedar smell dissipates.
- + To avoid potential over-heating, especially in hot climates, mount your BatBnB on a medium to light-colored surface.
- + Place your BatBnB near your garden to take advantage of the fact that many garden pests avoid areas where they hear bat echolocation.
- + Be patient. Some of the most successful bat houses have taken anywhere from 6 months to 2 years for occupancy.

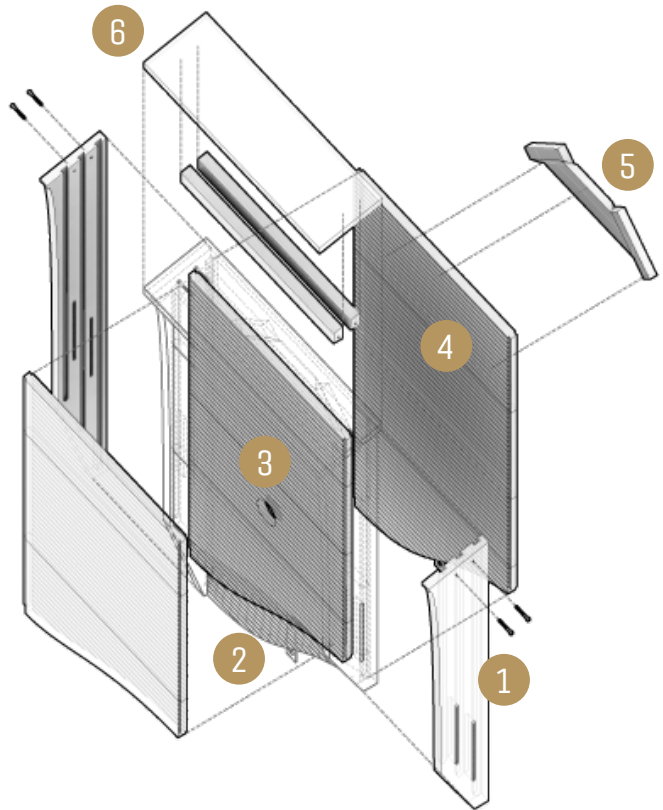
## CONSIDER PERSONALIZING WITH COLOR

We love the natural western red cedar of the BatBnB, but some experts have found that painting a bat house can increase occupancy rates by as much as 50%. It's not required, but consider personalizing your BatBnB by choosing a color that matches the decor of your home. All you need to do is take a piece of sandpaper and lightly sand your BatBnB and then apply two coats of your preferred paint. Based on where you live, visit our color guide to determine the best colors to paint your BatBnB: [www.batbnb.com/color-guide](http://www.batbnb.com/color-guide).

# BAT HOUSE SPECS

## DUAL-CHAMBER MODEL

- 1 CHAMBER AIR VENTS**  
Increase temperature variation inside the unit
- 2 LANDING PAD / CHAMBER ENTRANCE**  
Runway space for incoming and outgoing flights
- 3 CHAMBER PASSAGE**  
Allows bats to move between chambers without leaving the bat house
- 4 INTERIOR GROOVES (1/2" SPACING)**  
Gripping edges for bats to climb and hang on
- 5 HANGING CLEATS**  
Simple and strong system for mounting your BatBnB to a surface
- 6 SLOPED ROOF (1/2" OVERHANG)**  
Sheds rainfall, prolonging the life of your BatBnB



## MAINTENANCE

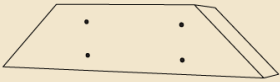
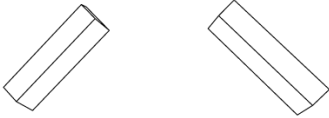


Once mounted, BatBnBs do not typically require further maintenance. If you notice the coloration of your BatBnB beginning to fade slightly over the years, this is normal for wood being exposed to weather and UV rays. Consider taking your unit down in the winter time once every three years if no bats are present. Equip a face mask and proceed to give the exterior a light sanding (180-220 grit sandpaper), and then apply a new coat of paint or exterior grade finish. This will help keep it protected from the elements and it will age even more beautifully. This may also be a good time to remove any mud dauber or wasp nests from the unit.

## SAFETY

Hanging a BatBnB 15+ feet up is dangerous! If you're not comfortable climbing a ladder while carrying your BatBnB, find a friend to assist you or hire a local contractor or handyman to help. Take any additional cautionary steps to keep yourself safe, and always treat the animals with respect. Remember, bats are wild animals, and not pets. You should never approach or come into close contact with bats. If you ever see a bat on the ground or indoors, call an animal control professional. When cleaning bat droppings (or any type of animal droppings) one should take precautions to avoid inhaling dust, or even better, avoid interacting with droppings entirely.

# HANGING INSTRUCTIONS

## INCLUDED PARTS

	<b>Mount</b>	Attach this piece to the surface you want to hang your BatBnB from. The side with the smaller surface area should connect with the hanging surface.
	<b>Mounting Cleat (2)</b>	These come pre-attached to the back of your BatBnB unit and function by gripping the mount piece.
	<b>Safety Bracket</b>	Small metal bracket on the lower back side of your BatBnB that will act as a safety mechanism against any lifting forces such as strong winds.
	<b>Screws (6)</b>	Screws that will attach the mount to your hanging surface.

## TOOLS NEEDED



**DRILL**  
Phillips-head bit or  
Phillips-head screwdriver



**LADDER**  
Minimum 15 ft reach



**LEVEL**

- 1 Now that you've found the perfect location for mounting, remove your BatBnB from the box and packaging. Carefully position the ladder so that it is stable, and grab a friend to hold it steady.
- 2 Climb the ladder with your screwdriver or drill, a level, four screws and the mounting piece.
- 3 Position the mounting piece in the desired location and fully insert one of the screws. The screws need to adequately penetrate into the structural material to create a strong connection. Depending on your chosen mounting surface, you may need to purchase a different kind or longer fastener. The mounting piece should be turned as displayed in the image for the cleats to grip. Level the mounting piece and screw in the remaining screws. Test the effectiveness of your fastening by simply and safely tugging on the bracket to simulate the weight of your BatBnB.
- 4 Dismount the ladder, re-adjust the ladder position if necessary, and then climb the ladder again with your BatBnB unit. Slide the cleats on the back of the unit onto the mounting piece.
- 5 Once your BatBnB unit is level, climb the ladder with a screwdriver and one screw. Adjust the bottom metal bracket so that it points straight down and secure it with a screw.
- 6 Great work! Your BatBnB is now in operation. Inspire others to help save the bats by tagging photos of your new BatBnB on social media using #batbnb.

# GET INVOLVED

---



## MEET MERLIN TUTTLE

Meet Merlin Tuttle, the world's leading authority on bat houses. BatBnB has worked with Merlin to validate all of our designs and ensure that they are well suited for the animals. Merlin has been a bat ecologist and conservationist for over fifty years and continues to lead advocacy efforts on the behalf of bats everywhere. Merlin periodically sends out important Bat Flash announcements when bats are being threatened and informs the community with actionable items on how to get involved. He also provides thousands of photos and important resource information documenting bats as safe neighbors. Please consider supporting Merlin's conservation group by visiting his website at [www.merlintuttle.org](http://www.merlintuttle.org) and subscribing to his listserve to learn more about what you can do to help.



## UPLOAD YOUR BATBNB PHOTOS

BatBnBs are finding homes all over the world. Become a part of the community and upload your BatBnB photos by going to [www.batbnb.com/gallery](http://www.batbnb.com/gallery).



# BAT FACTS

Here are some interesting facts about your new winged neighbors.



Bats can find their food in total darkness by using echolocation. They emit inaudible high-pitched sounds and listen for the echoes.



Most bats have only one pup a year, making them extremely vulnerable to extinction. Bat mothers can find their babies among millions of other bats by their unique voices and scents.



Guano, or bat droppings, is a very rich fertilizer that at one time, was Texas's largest mineral export. However, use caution when dealing with guano as its inhalation is dangerous.



A single bat can catch 1000 mosquito-sized insects in an hour, and many garden pests avoid areas where they hear bats echolocating. Research suggests that bats save American farmers more than \$22 billion in pest control each year.



Bats are vital pollinators and seed dispersers. They ensure the survival of hundreds of species very important plants, including sources of fruit, nuts, medicines, fibers and dyes. Oh and agave! If it wasn't for bats, we wouldn't have tequila!



Bats are the only mammals able to fly and are quite talented at aerial acrobatics. Their wings are thin, giving them what is called, in flight terms, "airfoil." The power bats have to push forward is called "propulsion."



Some bats can survive in freezing temperatures and even fly in the middle of blizzards. During hibernation, their breathing slows down until it's imperceptible and their heart rate drops to just 25 beats per minute, compared to roughly 400 beats per minute when they are awake.



Rabies transmission from bats to humans is rare, just 1-2 cases per year in the U.S. and Canada combined. Media stories grossly exaggerating risks of disease from bats are promoted by those who profit from public fear. Always remember, bats aren't pets and you should never handle them.



More than half of the bat species in the U.S. are in severe decline, mainly because of loss of roosting habitat. Carelessly operated wind turbines and a fungal disease known as white-nose syndrome has recently killed large numbers of bats. Your BatBnB will help resistant bats rebuild healthy populations.

## More Questions? We're Here to Help!

Visit our FAQs at [www.batbnb.com](http://www.batbnb.com)  
Or email us at [support@batbnb.com](mailto:support@batbnb.com)



*In no event shall Point Line Plane LLC be liable for any direct, indirect, punitive, incidental, special consequential damages, to property or life, whatsoever arising out of or connected with the use or misuse of Point Line Plane LLC products or from hanging, servicing, or altering Point Line Plane products.*

*Furthermore Point Line Plane LLC is not liable for any form of harm that may occur due to interactions with wildlife.*

*This product must be inspected for use to ensure it has not been damaged in shipment. If damaged in shipping, do not use and immediately contact Point Line Plane's support channel to process a replacement.*