



**Electronic Temperature Control**

Small Machine but big on features. Electronic Temperature control with PID is standard on all machines.

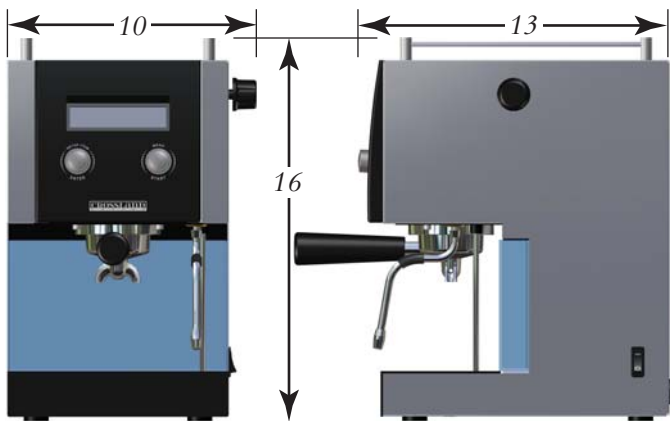
Digital display shows brewing temperature. Multifunction keypad for volumetric programming and program selection

**Commercial Portafilter**

The portafilter is a standard commercial 58mm portafilter. The same size used on the best espresso machines in the world.

**Other Features**

- Programmable Pre-Infusion
- Swivel Type Steam Wand
- Integrated Shot Timer
- 3 programmable menu selections



Machine Type	Digital Hybrid
Height	16 in. / 40 cm
Depth	13 in. / 33 cm
Width	10 in. / 25 cm
Voltage	120 Vac
Power	1150 Watts
Brew Temperature Control	Electronic with PID
Pump	Vibe Pump
Boiler Size	500 cc
Water Reservoir	2 Liter



Contact Us:  
 +1.206.383.8762  
 Bill@crosslandcoffee.com

Seattle, Washington, USA