

Pioneer Prime Diesel-Driven Centrifugal Pump Trailer Package

PP86S20L71-1706J-E93TA



PUMP SPECIFICATIONS

Size	8" x 6" (200 x 150 mm)
Impeller Diameter	20" (508 mm)
Max Flow	3,720 gpm (850 m ³ /h)
Max Head	595 feet (181 meters)
Solids Size	3" (76 mm)
Max. Operating Temp.	200 °F (93 °C)
Max. Operating Press.	260 psi (1800 kPa)

ENGINE SPECIFICATIONS

FT4 Engine Type	1706J-E93TA
Displacement	550 cu. in. (9.3 l)
Fuel Consumption	19.7 gph (74.4 l/h) @ 1800 rpm
Continuous HP	335 HP (250kW) @ 1800 rpm
Peak HP Rating	456 HP (340 kW)
FT4 Specifics (Def or No Def, DOC, SCR, etc.)	DOC/ DPF, SCR
Safety Shut-Down Switches	Low oil press., high temp., v-belt failure
Instrument Panel	Oil pressure gauge, ampmeter, hourmeter, tachometer

PIONEER PRIME PRIMING SYSTEM

Priming System	Mechanically driven diaphragm-style vacuum pump
Air Removal Cap.	50 cfm (.02 cms)
Priming Chamber	Positive sealing air separation w/stainless steel components
Discharge Check Valve	Swing style; ductile iron w/nitrile disc
Run Dry System	Oil-lubricated mech. seal allows pump to run completely dry without damage

FEATURES AND BENEFITS

- Indefinite run-dry capability
- Extreme flow technology
- Environmentally safe priming system: Pioneer Prime
- Auto-start controls
- Skid options available

OPTIONS AND ACCESSORIES

Parts Kits No.	Mechanical Seal Kit: 372000125 Bearing Frame Kit: 373000120
Instrument Compatibility	Transducer
Telemetry Ready	Options Available

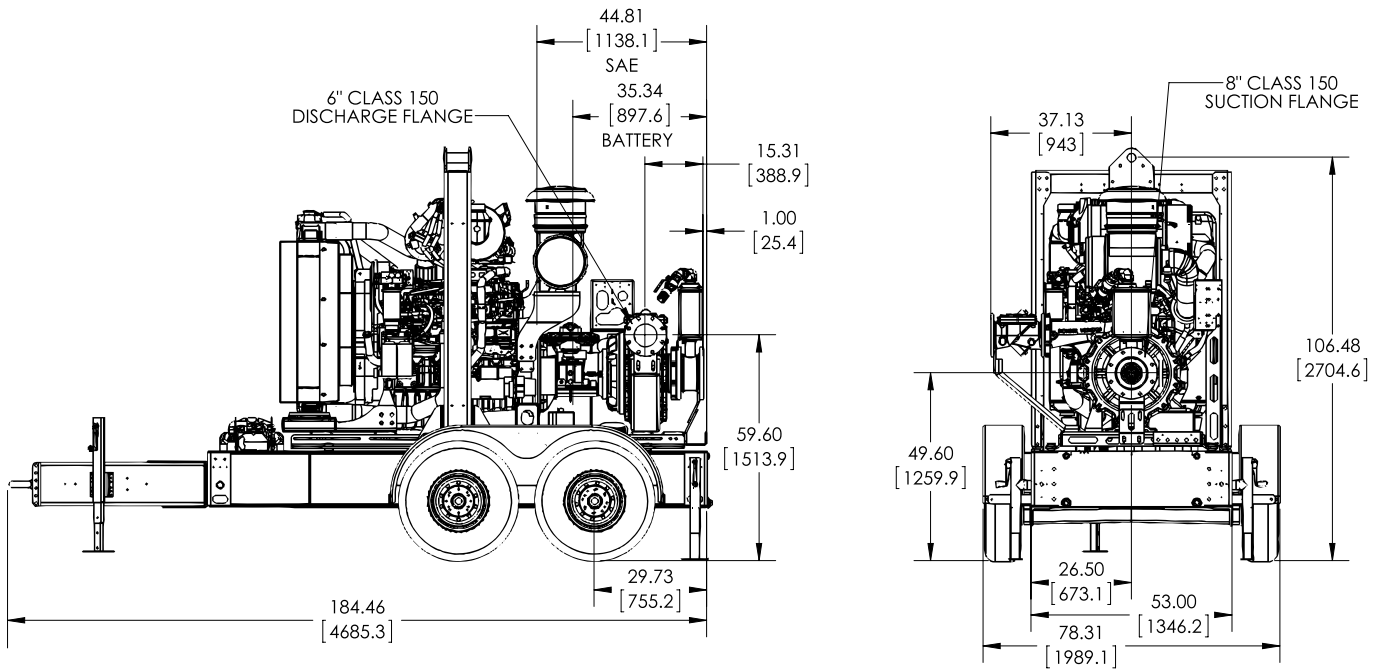
PACKAGE SPECIFICATIONS

Fuel Capacity	210 gal (795 L)
Control Panel	LOFA CP750
Operating Speed (Min. / Max.)	1,200 / 2,100 rpm
Instrument Compatibility	High/low level floats
Trailer Brakes	Electric
Optional Adders	Surge brakes, corner jacks, tongue-mounted tool box, wheel chocks, exterior lighting, trickle chargers - solar or 120VAC

MATERIALS OF CONSTRUCTION

Material	Standard Construction
Impeller	CA6NM Stainless Steel
Shaft	17-4 PH Stainless Steel
Wear Ring	ASTM A48 Class 40 Gray Iron
Suction Cover	Ductile Iron ASTM A536 65-45-12
Volute	Ductile Iron ASTM A536 65-45-12
Brac-Plate/Bracket	Ductile Iron ASTM A536 65-45-12
Mechanical Seal	Silicon Carbide rotating and Tungsten Carbide stationary

MECHANICAL DIMENSIONS



PERFORMANCE CURVE

