

# MANN+HUMMEL Klar System

## (K-30UA08)

**MANN+HUMMEL K-30UA08** system uses our proprietary **UA860** cartridges to provide a safe and consistent water supply. The ultrafiltration system offers a substantial cost savings and low logistical operating requirements.

**MANN+HUMMEL K-30UA08** system includes:

### Standard Components

- 30 **UA860** Modified PAN Hollow Fiber Cartridges
- Control Panel with Programmable Logic Controller (PLC)
- Stainless Steel 304 Feed and Back Flush Centrifugal Pumps with Variable Frequency Drive (VFD)
- Rotary Air Blower
- Automatic Control Valves
- Feed, Air and Back Flush Pressure Gauges
- Product Water Rota Meter
- Stainless Steel Frame
- Sch 80 PVC Piping, Hoses

### Optional Components

- Touch Screen Display
- Data Logging Module



\* The above photo of K-16UA08 System is for illustration purpose only.

UA860 Membrane Cartridge Specifications		K-30UA08 System and Operating Configuration*	
Surface Area (nominal)	45 m <sup>2</sup> / 480 ft <sup>2</sup>	Model	K-30UA08
Membrane Material	Hydrophilic Modified PAN	No. of Cartridges	30
Cap & Socket	Glass Reinforced ABS	Electrical Power	400V / 50Hz / 43A; 3 Phase
Housing Material	uPVC	Dimension L x W x H (cm)	420 x 176 x 225
Potting	Epoxy	System Weight (kg)	2200
Filtrate Flux	Up to 80 LMH*	Flow Rate (m <sup>3</sup> /h)*	Max 40
Feed TSS	Max 350 mg/L	* Depending on feed water quality and operating conditions	
Feed Turbidity	Max 300 NTU		





\* The above photo of K-16A08 System is for illustration purpose only.

### Operating Process Parameter\*

Flow Type	Out to In
Filtration	Dead End Mode
Re-generation	Air Scouring with Back Flush
Operating Temperature	Max 45°C / 113°F
Operating TMP	Feed (bar) - 0.5 Back Flush (bar) - 1.2

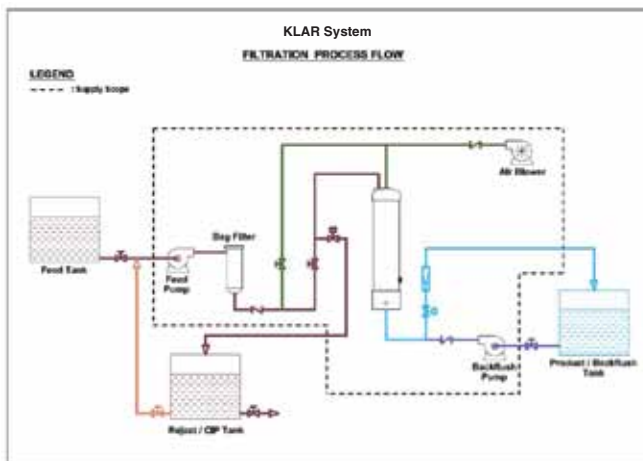
### Cleaning Process Parameters\*

Cleaning Temperature	Max 45°C / 113°F
Chlorine Cleaning	Max 100 ppm
Operating pH	From 2 to 9
BF / AS duration	From 30 to 60 seconds

\* Depending on feed water quality and operating conditions

### Cartridge Storage Conditions:

All cartridges should be preserved in Sodium Meta-Bisulphate (1.5%) or 4L of ethanol, water and glycerin (1:2:1). Preservatives should be refreshed every 6 months. Cartridges are to be stored in controlled environment with temperature between 5°C and 45°C.



Authorized Distributor:

### Please contact your nearest MANN+HUMMEL office:

Asia Pacific: +65 64 57 75 33  
 UAE: +971 4 609 1448  
 Czech Republic: +420 568 89 8111  
 Brazil: +55 11 33 78 75 21

China: +86 02 16 18 50  
 India: +91 80 40 20 7233  
 Germany: +49 7141 98 4365  
 USA: +1 269 329 5099

Korea: +82 31 68 84 014  
 Turkey: +90 216 4117900 Ext.123  
 EU: +49 7141 98 4354

### Disclaimer:

This information provided in the document is accurate and reliable. However publication is for general purposes only. It does not imply any warranties or indemnities whatsoever. MANN+HUMMEL reserves the right to technical modifications of the products.



water@mann-hummel.com • www.mannhummel-water.com  
 THAILAND • SINGAPORE • VIETNAM • INDONESIA • PHILIPPINES  
 USA • BRAZIL • GERMANY (EU) • UAE • INDIA • CHINA • KOREA