

MANN+HUMMEL Klar System

(K-02UA08)

MANN+HUMMEL K-02UA08 system uses our proprietary **UA860** cartridges to provide a safe and consistent water supply. The ultrafiltration system offers a substantial cost savings and low logistical operating requirements.

MANN+HUMMEL K-02UA08 system includes:

Standard Components

- Two **UA860** Modified PAN Hollow Fiber Cartridges
- Control Panel with Programmable Logic Controller (PLC)
- Stainless Steel 304 Feed and Back Flush Centrifugal Pumps with Variable Frequency Drive (VFD)
- Rotary Air Blower
- Automatic Control Valves
- Feed, Air and Back Flush Pressure Gauges
- Product Water Rota Meter
- Stainless Steel Frame
- Sch 80 PVC Piping, Hoses

Optional Components

- Touch Screen Display
- Data Logging Module



* The above photo of K-02UA08 System is for illustration purpose only.

UA860 Membrane Cartridge Specifications		K-02UA08 System and Operating Configuration*	
Surface Area (nominal)	45 m ² / 480 ft ²	Model	K-02UA08
Membrane Material	Hydrophilic Modified PAN	No. of Cartridges	2
Cap & Socket	Glass Reinforced ABS	Electrical Power	230V / 50Hz / 9.4A; 1 Phase
Housing Material	uPVC	Dimension L x W x H (cm)	130 x 110 x 225
Potting	Epoxy	System Weight (kg)	230
Filtrate Flux	Up to 80 LMH*	Flow Rate (m ³ /h)*	Max 6
Feed TSS	Max 350 mg/L	* Depending on feed water quality and operating conditions	
Feed Turbidity	Max 300 NTU		





* The above photo of K-02UA08 System is for illustration purpose only.

Operating Process Parameter*

Flow Type	Out to In
Filtration	Dead End Mode
Re-generation	Air Scouring with Back Flush
Operating Temperature	Max 45°C / 113°F
Operating TMP	Feed (bar) - 0.5 Back Flush (bar) - 1.2

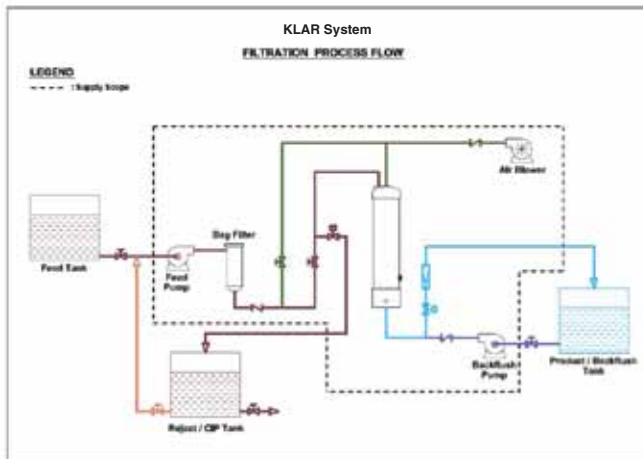
Cleaning Process Parameters*

Cleaning Temperature	Max 45°C / 113°F
Chlorine Cleaning	Max 100 ppm
Operating pH	From 2 to 9
BF / AS duration	From 30 to 60 seconds

* Depending on feed water quality and operating conditions

Cartridge Storage Conditions:

All cartridges should be preserved in Sodium Meta-Bisulphate (1.5%) or 4L of ethanol, water and glycerin (1:2:1). Preservatives should be refreshed every 6 months. Cartridges are to be stored in controlled environment with temperature between 5°C and 45°C.



Authorized Distributor:

Please contact your nearest MANN+HUMMEL office:

Asia Pacific: +65 64 57 75 33
 UAE: +971 4 609 1448
 Czech Republic: +420 568 89 8111
 Brazil: +55 11 33 78 75 21

China: +86 02 16 18 50
 India: +91 80 40 20 7233
 Germany: +49 7141 98 4365
 USA: +1 269 329 5099

Korea: +82 31 68 84 014
 Turkey: +90 216 4117900 Ext.123
 EU: +49 7141 98 4354

Disclaimer:

This information provided in the document is accurate and reliable. However publication is for general purposes only. It does not imply any warranties or indemnities whatsoever. MANN+HUMMEL reserves the right to technical modifications of the products.



water@mann-hummel.com • www.mannhummel-water.com
 THAILAND • SINGAPORE • VIETNAM • INDONESIA • PHILIPPINES
 USA • BRAZIL • GERMANY (EU) • UAE • INDIA • CHINA • KOREA