

Qty.	Description
------	-------------

1	Installation kit 9/12 mm
---	--------------------------



Note! Product picture may differ from actual product

Product No.: [95730460](#)

Installation kit for easy installation of the dosing pump.

The kit includes:

- Non-return footvalve with strainer and weight
- Injection unit
- 6 m. discharge tubing
- 2 m. suction tubing
- 2 m. vent tubing

Technical:

Valve type: Without level switch

Materials:

Housing: PVC

Valve ball: Ceramic

Gasket: PTFE

Installation:

Inst. connect: G 1/2"

Tube size: 9/12 mm

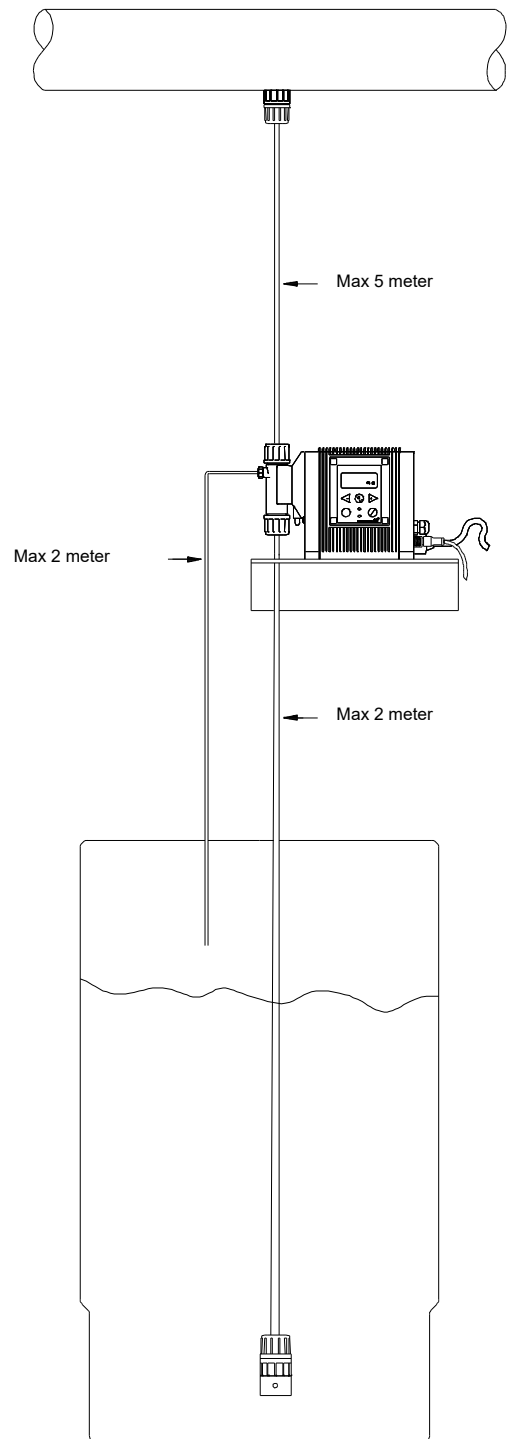
Others:

Gross weight: 2.2 lb

Country of origin: DE

Custom tariff no.: 8413919065

Description	Value
General information:	
Product name:	Installation kit 9/12 mm
Product No:	95730460
EAN number:	5710626576616
Technical:	
Valve type:	Without level switch
Materials:	
Housing:	PVC
Valve ball:	Ceramic
Gasket:	PTFE
Installation:	
Inst. connect:	G 1/2"
Tube size:	9/12 mm
Others:	
Designed for:	DDA,DDC,DDE,DMX,DDI up to60l/h
Gross weight:	2.2 lb
Country of origin:	DE
Custom tariff no.:	8413919065



Order Data:

Position	Your pos.	Product name	Amount	Product No	Total
		Installation kit 9/12 mm	1	95730460	Price on request