

Qty.	Description
------	-------------

1	Installation kit 6/9 mm
---	-------------------------



Note! Product picture may differ from actual product

Product No.: [95730455](#)

Installation kit for easy installation of the dosing pump.

The kit includes:

- Non-return footvalve with strainer and weight
- Injection unit
- 6 m. discharge tubing
- 2 m. suction tubing
- 2 m. vent tubing

Technical:

Valve type: Without level switch

Materials:

Housing: PVDF

Valve ball: Ceramic

Gasket: PTFE

Installation:

Inst. connect: G 1/2"

Tube size: 6/9 mm

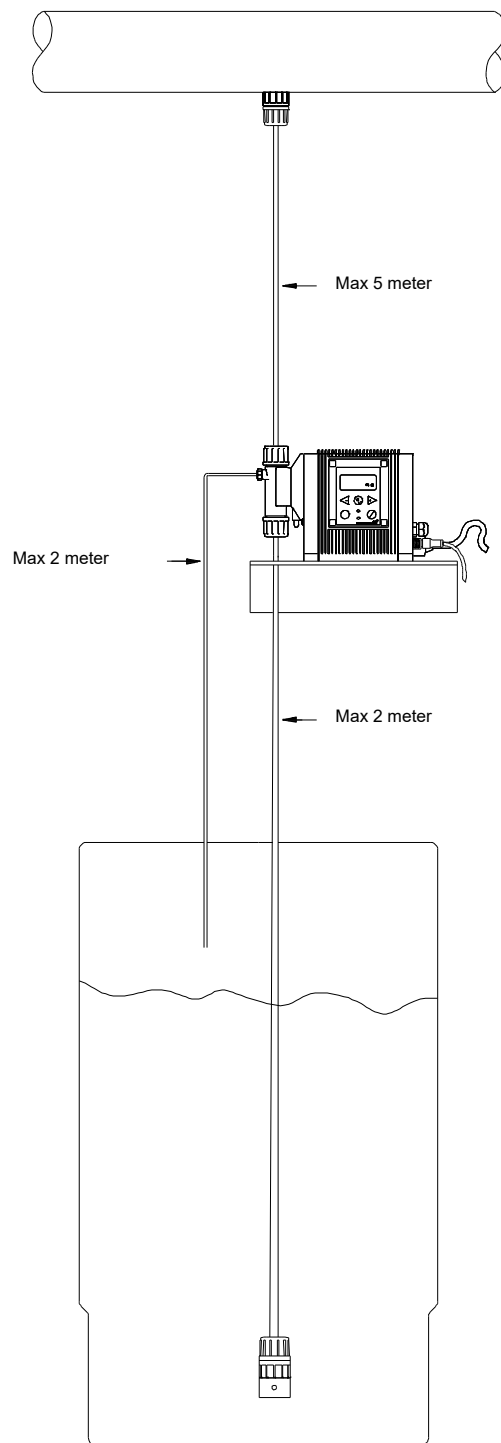
Others:

Gross weight: 1.98 lb

Country of origin: DE

Custom tariff no.: 8413919065

Description	Value
<b>General information:</b>	
Product name:	Installation kit 6/9 mm
Product No:	<a href="#">95730455</a>
EAN number:	5710626576609
<b>Technical:</b>	
Valve type:	Without level switch
<b>Materials:</b>	
Housing:	PVDF
Valve ball:	Ceramic
Gasket:	PTFE
<b>Installation:</b>	
Inst. connect:	G 1/2"
Tube size:	6/9 mm
<b>Others:</b>	
Designed for:	DDA, DDC, DDE, DMX up to 30l/h
Gross weight:	1.98 lb
Country of origin:	DE
Custom tariff no.:	8413919065



## 95730455 Installation kit 6/9 mm

