



G2 120 litre drum designed for the AgChem market

Product Description

G2 120L tight-head drum

- Drum material: high molecular weight HDPE with UV additives incorporated
- Ring material: HDPE + coloured masterbatch + UV additives (virgin/regrind)
- Nominal capacity: 110 L
- Brimful capacity: 122 L
- Asymm G2x5 Bung designed by Schütz
- Tamper evidence enabled
- Ergonomic drafts (hand-hold shoulders)
- Embossed level indicators
- Rib structure on the top & bottom ring, for improved strength



Product Description

G2 120L tight-head drum

- A reusable drum specifically designed for the agricultural chemical industry.
- UV additives to protect the drum from the harsh Australian sun
- Rated to hold liquids with a maximum specific gravity of 1.6 or 176 kg.
- Fitted with a dry-break valve and dip-tube assembly for safe extraction of the filling contents.
- Typically filled to 110L with approval to hold and transport hazardous chemicals including:
 - Class 6 Toxic liquids
 - Class 8 Corrosive liquids
 - Class 9 Environmentally hazardous liquids
- Excellent Environmental Stress Crack resistance required for herbicides that contain aggressive surfactants.



Technical Information

G2 120L round drum with TOP and BOTTOM Ring	
Height	870 mm
Dia. top ring Dia. bottom ring	484 mm 467 mm
Dia. Body Dia. Rolling hoops	460 mm 467 mm
Weight:: Top ring: Bottom ring Body complete	750 g 600 g 6.7 kg 8.1 kg
Brimful capacity	122 litres
Approval	1H1/Y1.6/150 BAM 14103
Bung	G2x5 (SCHÜTZ design) 2½" Buttress thread
Accessories	SCHÜTZ Dry-break valve and dip-tube assembly

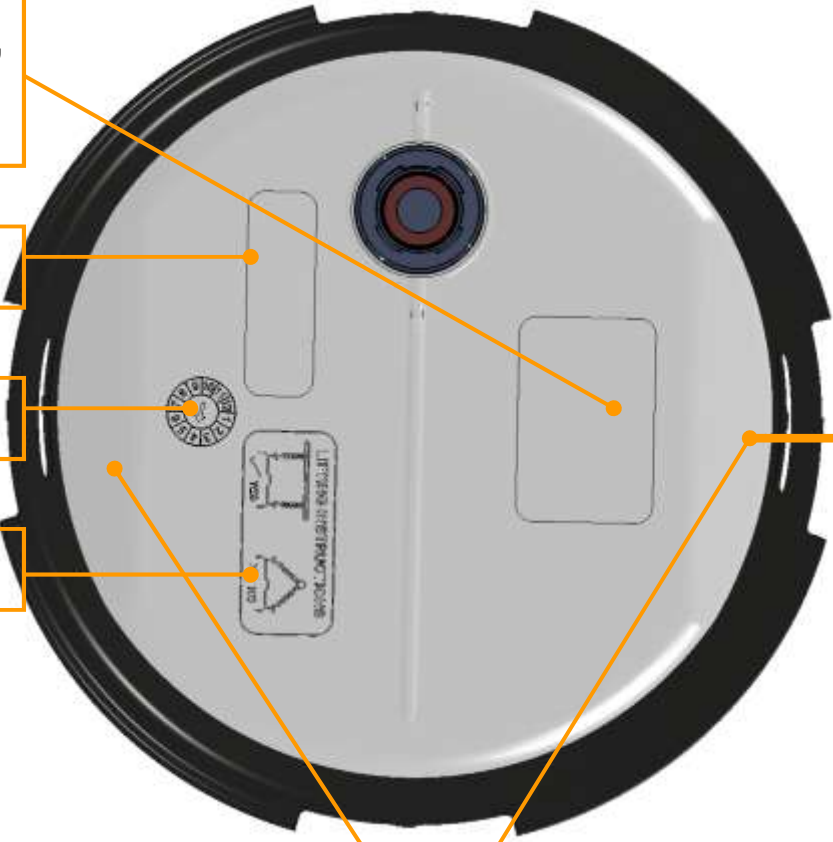
G2 120i drum: Top View - Detail

Embossed Label position for "SIGNAL" words

SCHÜTZ logo

Date

Lifting Instructions



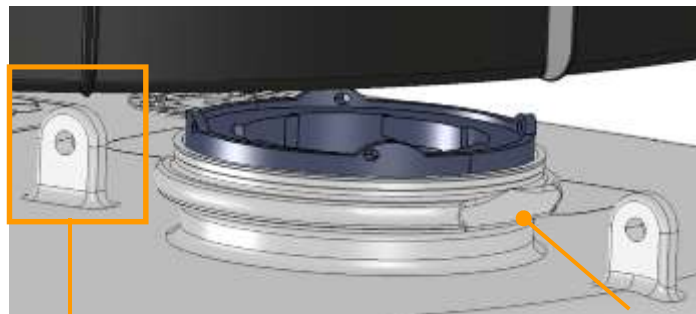
Ergonomic Handling shoulder slopes ("Drafts")

G2 120L drum - upper area (1)



1. Mounting gap; is not visible after mounting process
2. Decreased wall thickness of top ring ~ 25% enabled by ribs
3. Positioning block on drum – prevents ring movement / rotation

G2 120L drum - upper area (2)

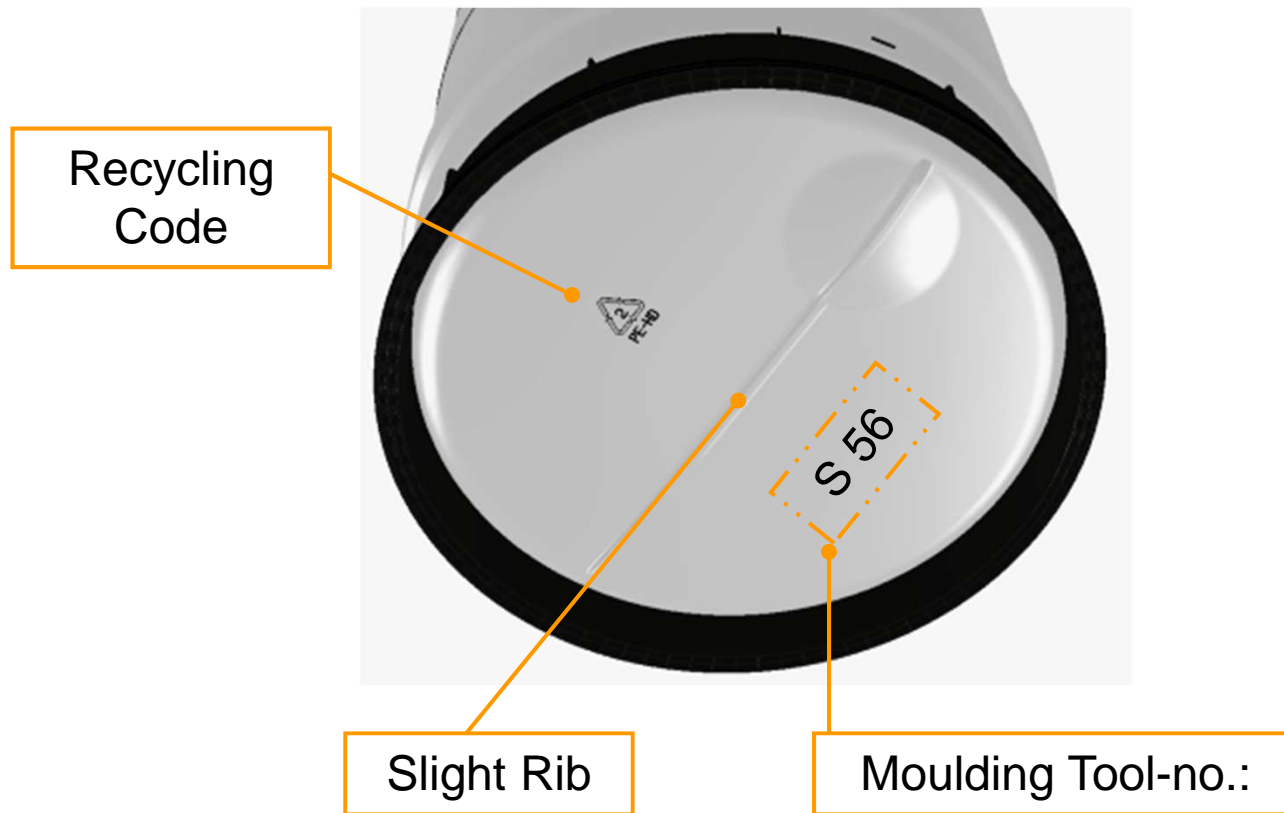


Lugs for Tamper
Evidence tags

SCHÜTZ designed G2 x 5 bung
(2½" Buttress thread)

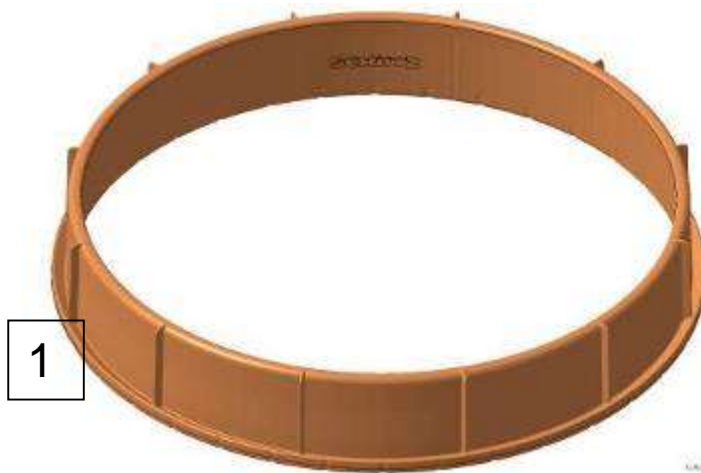
ID tag (if required)

G2 120L drum - bottom area (1)

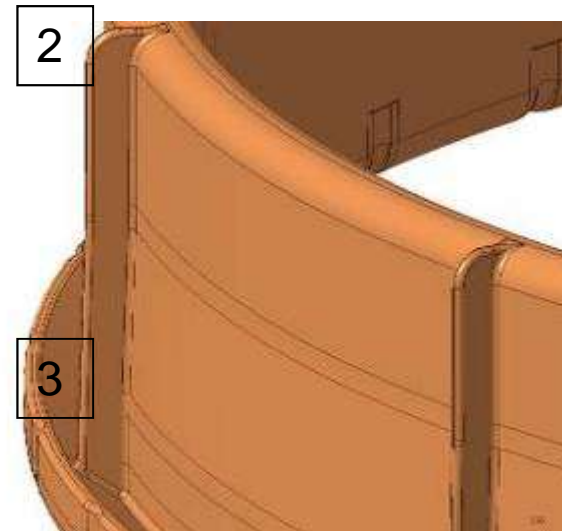


Enhancement of the sink mark strength by a slight rib

G2 120L drum - bottom area (2)



Rib structure - modified

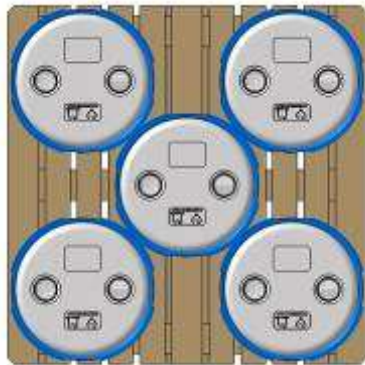


Contoured Base

1. Rib structure on the bottom ring, reducing the global wall thickness
2. Ribs on the outside face of the ring
3. Contoured bottom rim for easy cleaning

120L G2 drum - Logistics

Pallet 1165 x 1165mm



5 x 120L G2 drums to a pallet

20' Shipping Container



Quantity:
5 x 120L G2 drums on each pallet
x 10 per layer X 2 high
= 100 G2 drums

Transport requirements

General provisions

In Australia, the rules and recommendations for the transport of dangerous goods is covered in ADG7 “Australian Code for the Transport of Dangerous Goods by Road & Rail, 7th Edition”.

SCHÜTZ G2 120L tight head drums are only permitted for use with filling goods classified under packing groups II and III
– For more detailed information please read the respective chapters in the ADG7.

