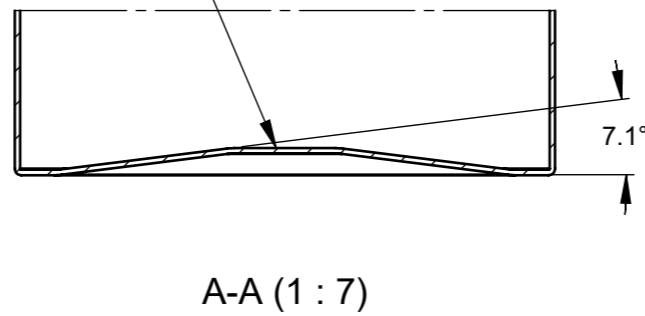


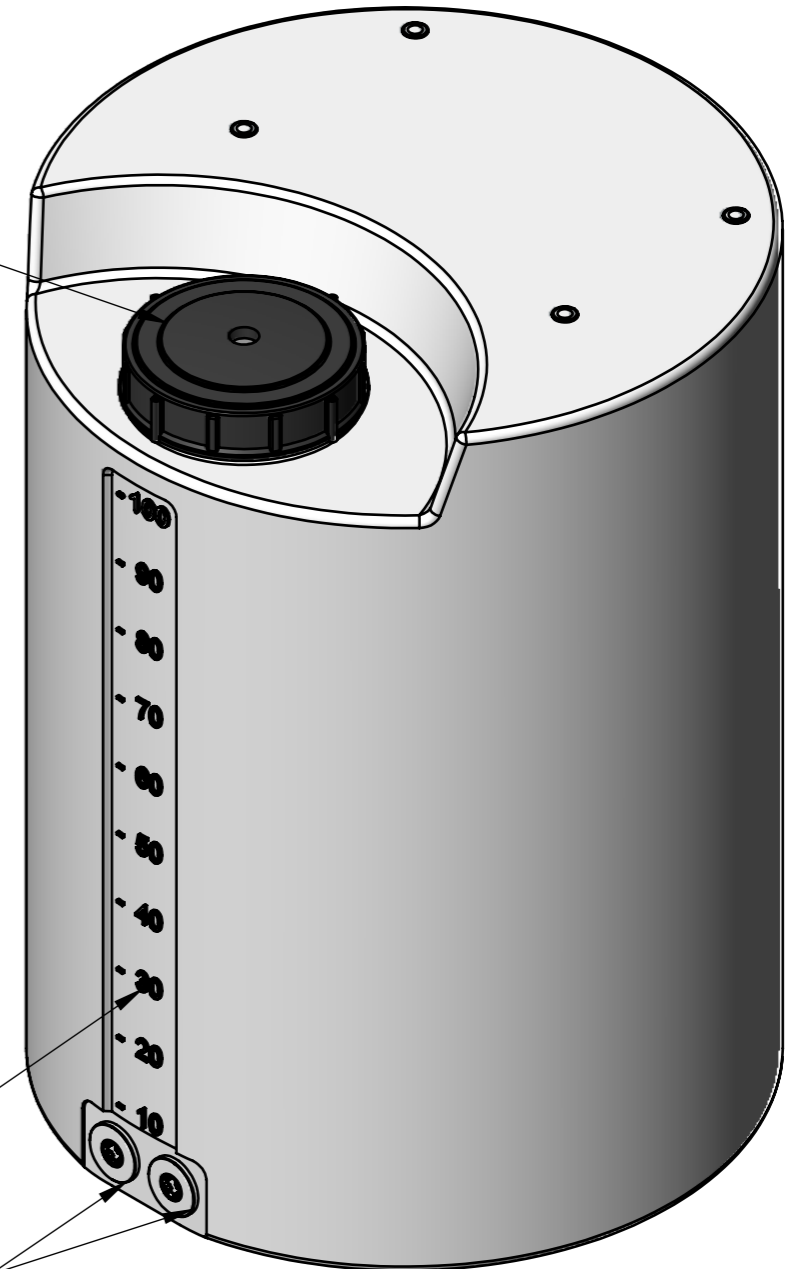
RAISED CENTRE TO ENSURE COMPLETE DRAINAGE



DOSING TANK LID (INSPECTION PORT)

MOULDED LEVEL INDICATION

0.75" SPINWELD OUTLET c/w DRAOM PLUG



NOTE: ALL TOLERANCES UNLESS OTHERWISE STATED $\pm 10\text{mm} / \pm 1^\circ$
DO NOT SCALE, USE DIMENSIONS. ALL DIMENSIONS ARE IN mm

This drawing is the property of Polymaster Group Pty. Ltd. It cannot be copied in part or in full without the written permission of Polymaster Group Pty. Ltd.

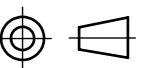


161 KARINIE STREET
SWAN HILL. VIC.
3585
Ph: (03) 5033 9000
Fx: (03) 5033 0224

DESCRIPTION	Closed Head Drum
PRODUCT CODE	CHD110
MATERIAL	POLYETHYLENE
COLOUR	NATURAL
© POLYMASTER GROUP	
DRAWN	JT

A3
SHEET SIZE

SCALE: NTS



17/01/2019 1/1 Rev: A