

**Qty. Description**

1 **HYDRO MULTI-E 3 CRE 20-6**



**Note! Product picture may differ from actual product**

Product No.: [99657297](#)

GRUNDFOS Hydro Multi-E booster sets are designed for the transfer and pressure boosting of clean water in waterworks, blocks of flats, hotels, industry, hospitals, schools, etc.

GRUNDFOS Hydro Multi-E booster sets consists of 2 to 3 CR(N)E pumps coupled in parallel and mounted on a common base frame provided with all the necessary fittings.

Hydro Multi-E is mounted on a common base frame made in black painted mild steel.

On the suction side are fitted a suction manifold ( AISI 316 or EN 1.4571) and two pressure transmitters which are mounted on an isolating valve.

On the discharge side of the pumps are fitted a non-return valve, an isolating valve, a pressure gauge, two pressure transmitters mounted on an isolating valve, a diaphragm tank and a stainless steel discharge manifold (AISI 316 or EN 1.4571).

The Hydro Multi-E is fitted with an on/off-switch for the supply voltage.

The Hydro Multi-E is designed for maintaining a constant pressure regardless of flow changes and fluctuation.

The internal PI-controller regulates the number of running pumps and the speed of the pumps according to the required flow.

The system can be operated directly on the graphical display of any of the pumps or via Grundfos GO (available as accessory)

Besides the system features:

- 2 Relay outputs
- 2 Digital inputs (one used for external start/stop)
- 2 Digital configurable input/output (one used for external start/stop)
- 3 analogue inputs (one used for discharge pressure and one used for inlet pressure)
- Multi-Master functionality
- 2 Limit exceed functions (one used for dry running protection)
- Set-point influence
- Pipe filling function
- Proportional pressure and High Efficient PM motors

Available communication protocols:

- LON
- PROFIBUS DP
- PROFIBUS IO
- BACnet MS/TP
- BACnet IP
- Modbus RTU
- Modbus TCP
- Ethernet IP
- Cellular 3G/4G
- GiC/GRM

When delivered, the GRUNDFOS Hydro Multi-E booster set is factory tested and ready for operation.

**Company name:** Parkway Process Solutions  
**Created by:** Parkway Process Solutions  
**Phone:** +61 (0) 390 693 200  
**Email:** solutions@pwnps.com  
**Date:** 11/23/2021

**Qty. Description**

Liquid:  
 Pumped liquid: Water  
 Liquid temperature range: 5 .. 60 °C  
 Selected liquid temperature: 20 °C  
 Density: 998.2 kg/m<sup>3</sup>

Materials:  
 Pump housing: Cast iron

Installation:  
 Maximum operating pressure: 16 bar  
 Maximum permissible inlet pressure: PN 16 bar  
 Flange standard: DIN2642  
 Manifold inlet: DN 100  
 Manifold outlet: DN 100

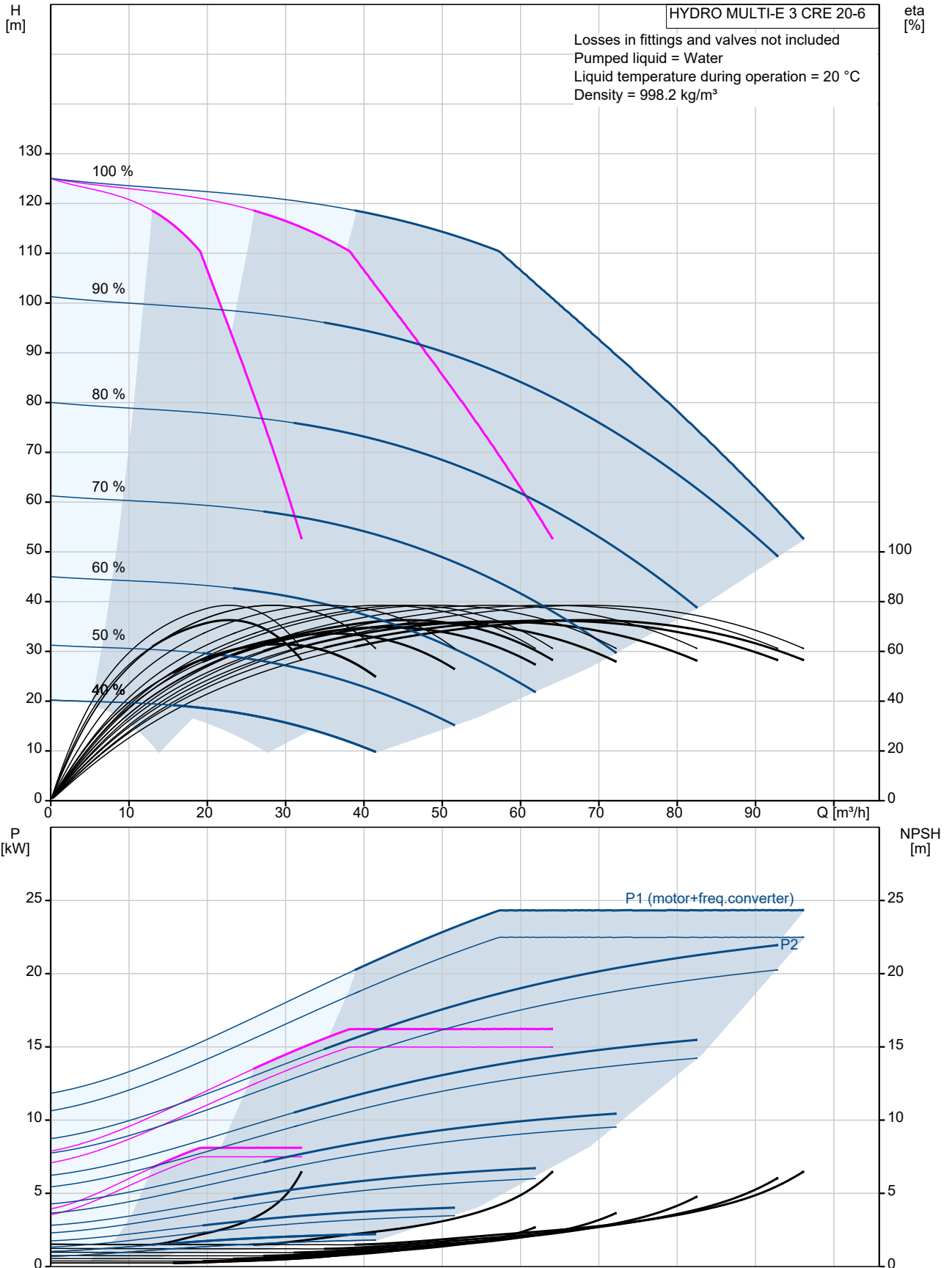
Electrical data:  
 IE Efficiency class: IE5  
 Power (P2) main pump: 7.5 kW  
 Mains frequency: 50 / 60 Hz  
 Rated voltage: 3 x 380-415 V  
 Rated current: 44.9 A  
 Start. method: electronically  
 Enclosure class (IEC 34-5): IP55

Tank:  
 Volume of pressure tank: 24 l  
 Diaphragm tank: Yes

Others:  
 Net weight: 429 kg  
 Gross weight: 458 kg  
 Shipping volume: 1.44 m<sup>3</sup>  
 Language: Multi  
 Country of origin: SG  
 Custom tariff no.: 8413709062

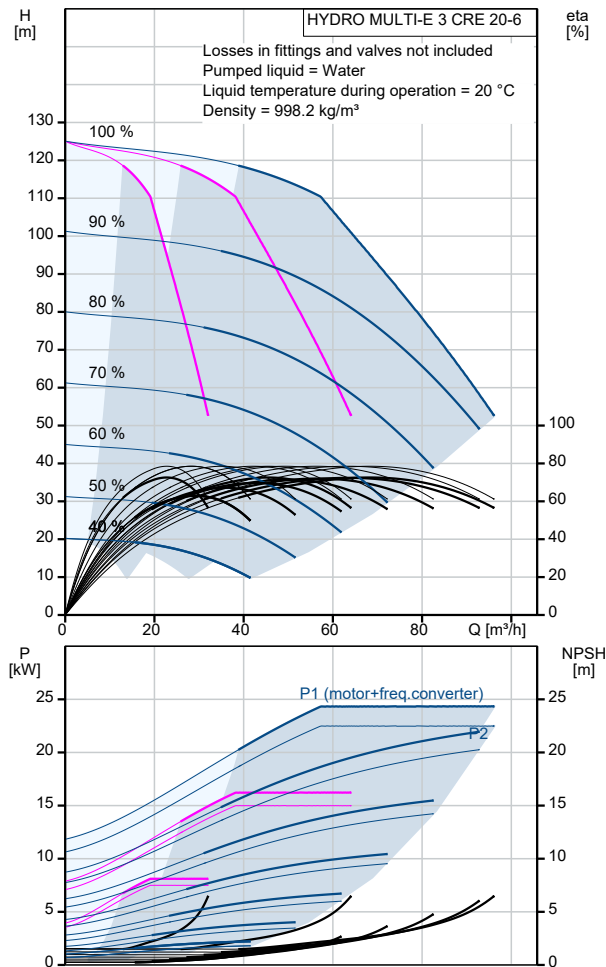
**Company name:** Parkway Process Solutions  
**Created by:** Parkway Process Solutions  
**Phone:** +61 (0) 390 693 200  
**Email:** solutions@pwnps.com  
**Date:** 11/23/2021

## 99657297 HYDRO MULTI-E 3 CRE 20-6



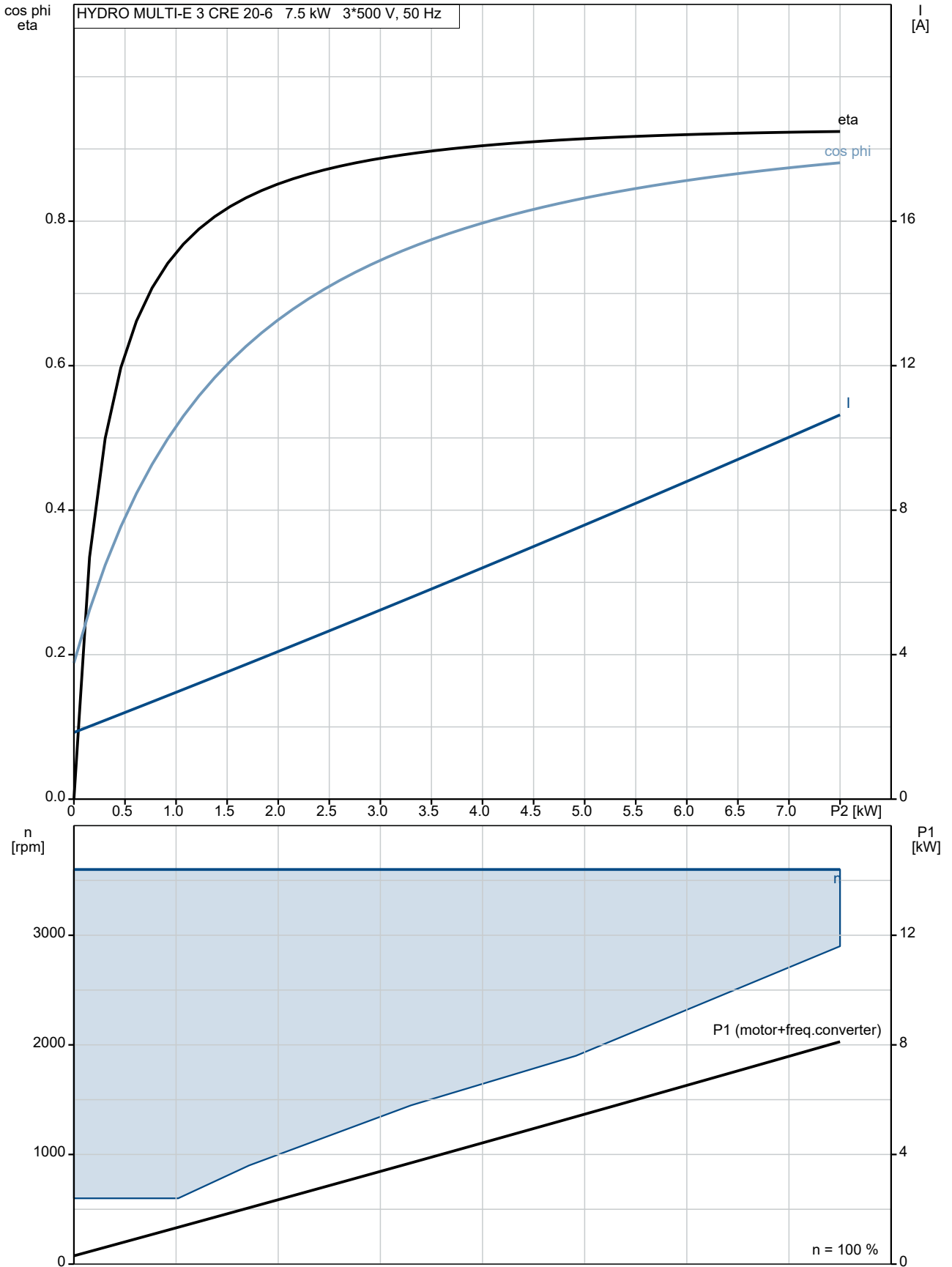
**Company name:** Parkway Process Solutions  
**Created by:** Parkway Process Solutions  
**Phone:** +61 (0) 390 693 200  
**Email:** solutions@pwnps.com  
**Date:** 11/23/2021

Description	Value
<b>General information:</b>	
Product name:	HYDRO MULTI-E 3 CRE 20-6
Product No:	99657297
EAN number:	5713832545223
Price:	
<b>Technical:</b>	
Max flow:	105 m <sup>3</sup> /h
Max flow:	105 m <sup>3</sup> /h
Min flow system:	12.5 m <sup>3</sup> /h
Head max:	128 m
Pump name:	CRE 20-6
Number of pumps:	3
<b>Materials:</b>	
Pump housing:	Cast iron
Manifolds:	Stainless steel
<b>Installation:</b>	
Maximum operating pressure:	16 bar
Maximum permissible inlet pressure:	PN 16 bar
Flange standard:	DIN2642
Manifold inlet:	DN 100
Manifold outlet:	DN 100
<b>Liquid:</b>	
Pumped liquid:	Water
Liquid temperature range:	5 .. 60 °C
Selected liquid temperature:	20 °C
Density:	998.2 kg/m <sup>3</sup>
<b>Electrical data:</b>	
IE Efficiency class:	IE5
Power (P2) main pump:	7.5 kW
Mains frequency:	50 / 60 Hz
Rated voltage:	3 x 380-415 V
Rated current:	44.9 A
Start. method:	electronically
Enclosure class (IEC 34-5):	IP55
<b>Tank:</b>	
Volume of pressure tank:	24 l
Diaphragm tank:	Yes
<b>Others:</b>	
Net weight:	429 kg
Gross weight:	458 kg
Shipping volume:	1.44 m <sup>3</sup>
Language:	Multi
Sales region:	Asia
Product range:	I
Country of origin:	SG
Custom tariff no.:	8413709062



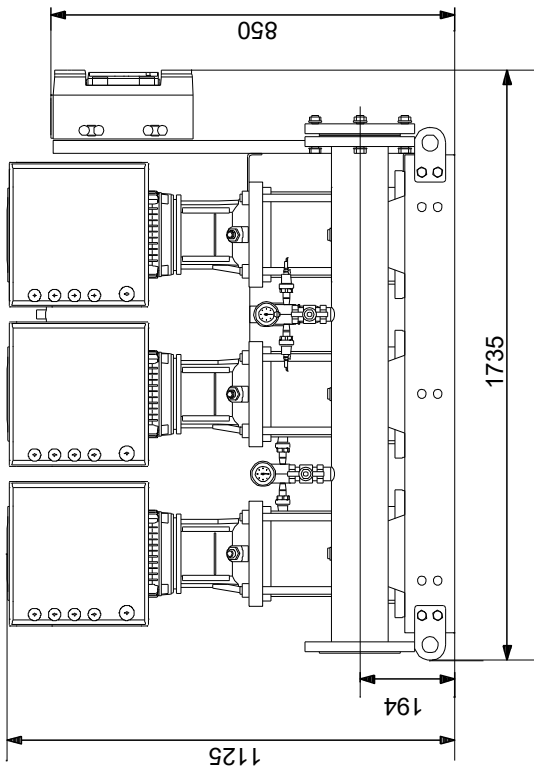
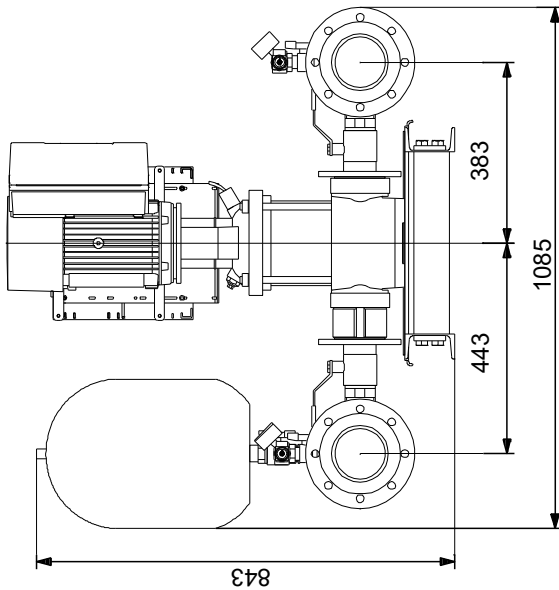
**Company name:** Parkway Process Solutions  
**Created by:** Parkway Process Solutions  
**Phone:** +61 (0) 390 693 200  
**Email:** solutions@pwnps.com  
**Date:** 11/23/2021

## 99657297 HYDRO MULTI-E 3 CRE 20-6



Company name: Parkway Process Solutions  
Created by: Parkway Process Solutions  
Phone: +61 (0) 390 693 200  
Email: solutions@pwnps.com  
Date: 11/23/2021

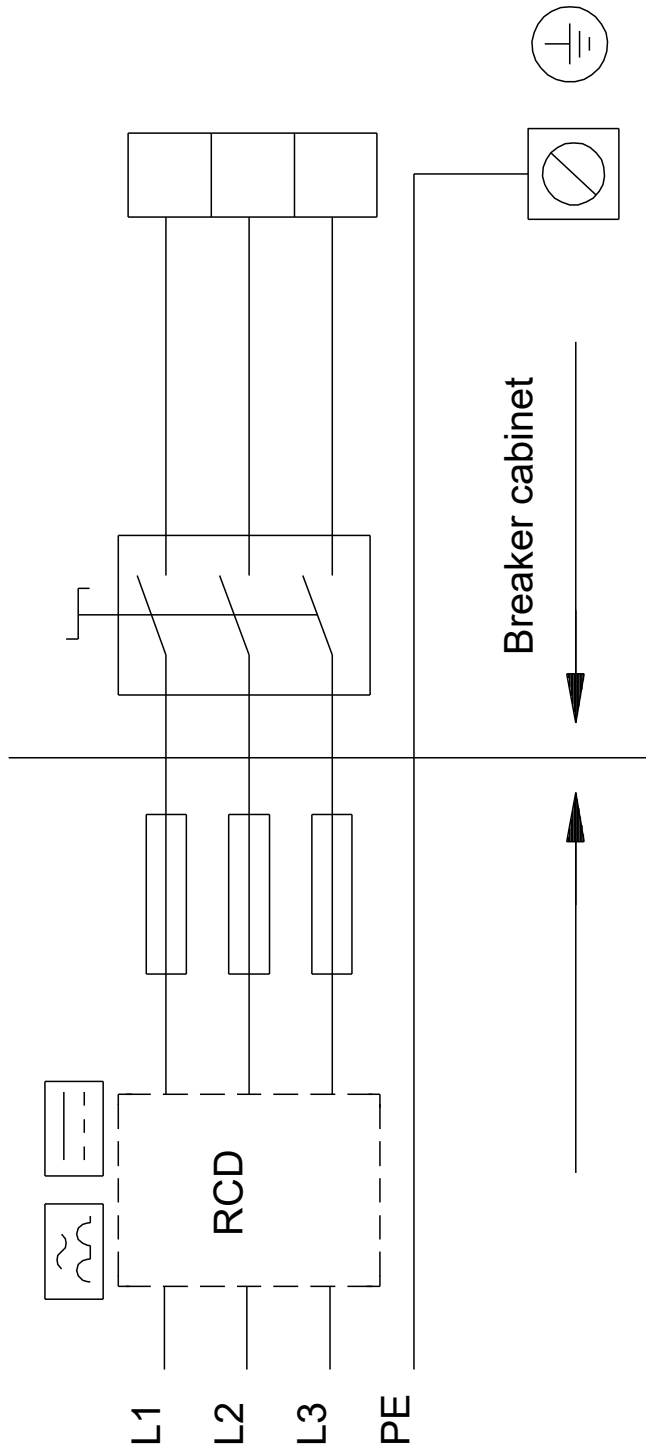
## 99657297 HYDRO MULTI-E 3 CRE 20-6



Note! All units are in [mm] unless others are stated.  
Disclaimer: This simplified dimensional drawing does not show all details.

Company name: Parkway Process Solutions  
Created by: Parkway Process Solutions  
Phone: +61 (0) 390 693 200  
Email: solutions@pwnps.com  
Date: 11/23/2021

### 99657297 HYDRO MULTI-E 3 CRE 20-6



Note! All units are in [mm] unless others are stated.

**Company name:** Parkway Process Solutions  
**Created by:** Parkway Process Solutions  
**Phone:** +61 (0) 390 693 200  
**Email:** solutions@pwnps.com  
**Date:** 11/23/2021

---

**Order Data:**

Product name: HYDRO MULTI-E 3 CRE 20-6  
Amount: 1  
Product No: 99657297  
Price:

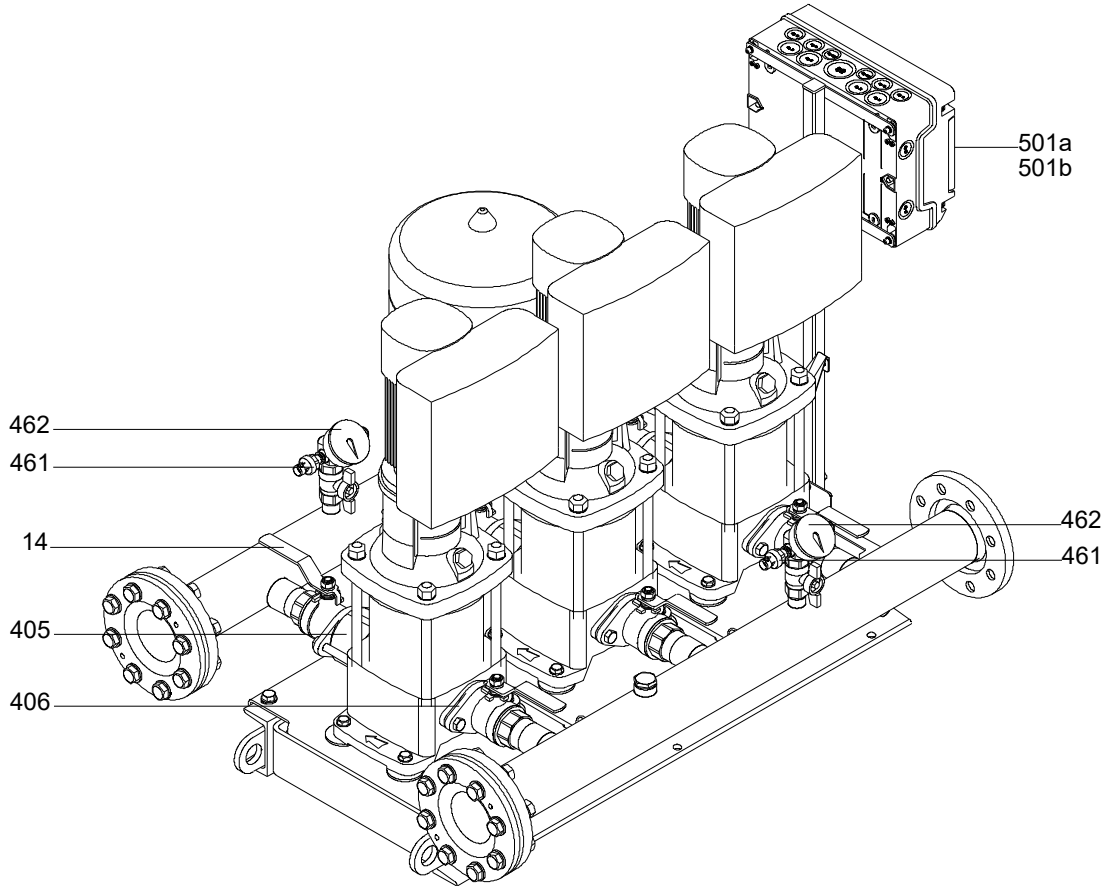
Total: Price on request

---



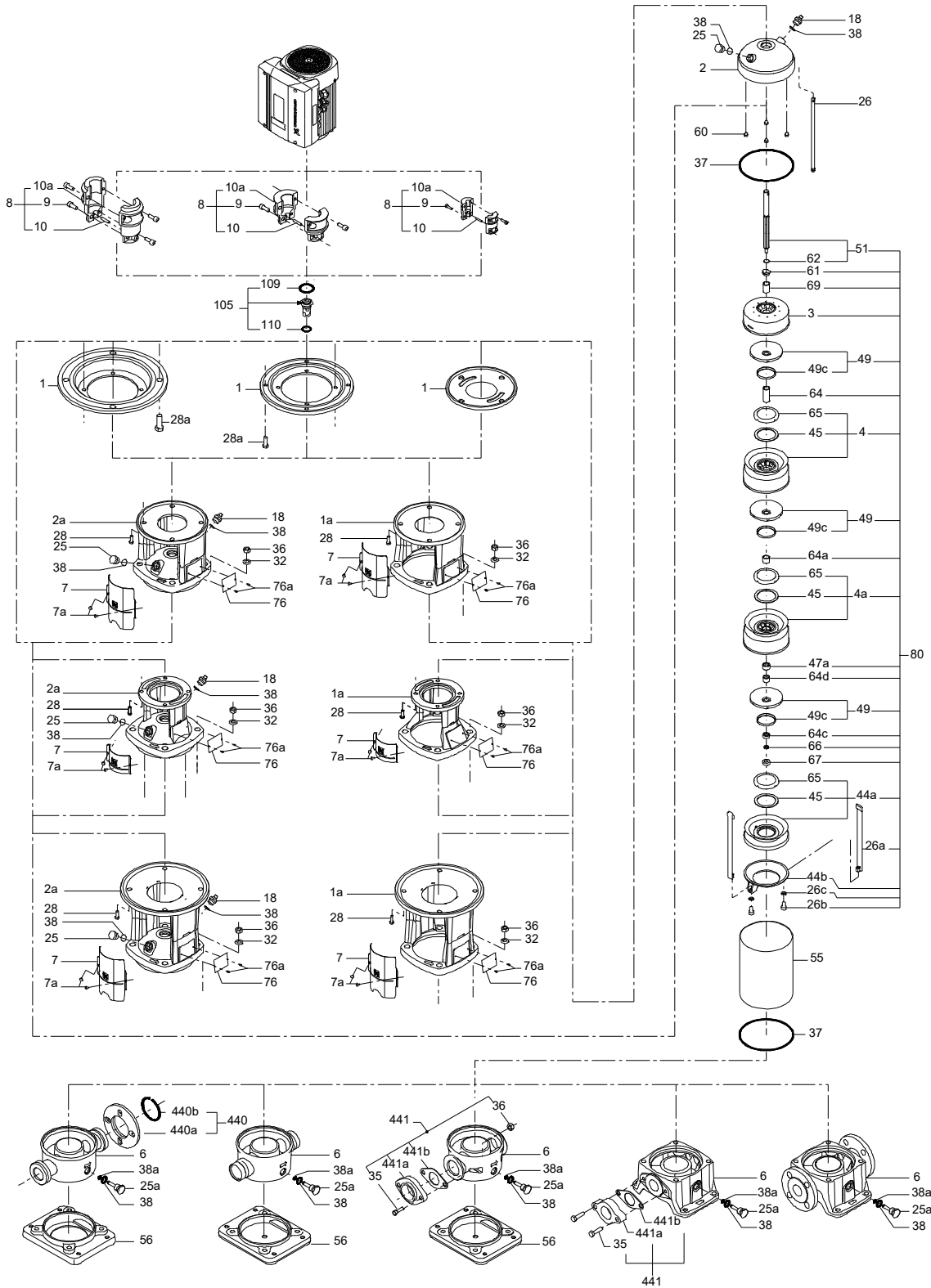
**Company name:** Parkway Process Solutions  
**Created by:** Parkway Process Solutions  
**Phone:** +61 (0) 390 693 200  
**Email:** solutions@pwnps.com  
**Date:** 11/23/2021

( TM076325 for project Multi-E Asia Pacific)



**Company name:** Parkway Process Solutions  
**Created by:** Parkway Process Solutions  
**Phone:** +61 (0) 390 693 200  
**Email:** solutions@pwnps.com  
**Date:** 11/23/2021

( tm069469 for MECR15,20 standard)



**Company name:** Parkway Process Solutions  
**Created by:** Parkway Process Solutions  
**Phone:** +61 (0) 390 693 200  
**Email:** solutions@pwnps.com  
**Date:** 11/23/2021

**Spare parts HYDRO MULTI-E 3 CRE 20-6, Product No. 99657297**  
**Produced After 1948 (production year and week number)**

Pos	Description	Annotation	Classification Data	Part no.	Qty.	Unit
-	Kit, Manometer 0-10 bar			97896856	1	pcs
462	Pressure gauge				1	
-	Kit, Manometer 0-16 bar			97896855	1	pcs
	Nipple				1	
462	Manometer				1	
-	Kit, Non-return valve			96637445	1	pcs
405	Non-return valve				1	
-	Spare, Cabinet			99876844	1	pcs
501a	Cabinet				1	
-	Spare, Fusebox			99876830	1	pcs
501b	Fusebox				1	
-	Spare, Gasket			99876895	6	pcs
406	Gasket		Internal diameter: 61 Outer diameter: 107 Thickness: 2		1	
-	Spare, PressureTr. 0-16 bar			99257836	1	pcs
461	Pressure transducer				1	
-	Spare, PressureTr. 0-6 bar			99257833	1	pcs
461	Pressure transducer				1	
-	Spare, Valve with flange			99876847	2	pcs
14	Valve cpl.				1	
-	Pump				3	pcs
-	Kit, Chamber stack			96508546	1	
-	80	Chamber stack				
-	3	Top intermediate chamber				
		Intermediate chamber				
		Front plate				
		Guide vane				
-	4a	Intermediate chamber cpl.				
		Bearing plate				
	3	Intermediate chamber				
	45	Neck ring cpl.				
	47	Bearing bush				
	65	Retainer for upper seal ring				
-	4	Intermediate chamber cpl.				
	45	Neck ring cpl.				
	65	Retainer for upper seal ring				
	26a	Strap cpl.				
	26.c	Washer		Designation: DIN 125A Thickness: 1,6		
	26.b	Hex head screw				
	44b	Inlet part				
-	44a	Inlet part cpl.				
		Sand Lifter				
		Guide cup				
		Inlet part				
	45	Neck ring cpl.				
	65	Retainer for upper seal ring				
	47a	Bearing ring				
-	49	Impeller cpl.				
		Impeller blade				
		Impeller plate				
		Impeller plate				

**Company name:** Parkway Process Solutions  
**Created by:** Parkway Process Solutions  
**Phone:** +61 (0) 390 693 200  
**Email:** solutions@pwnps.com  
**Date:** 11/23/2021

Pos	Description	Annotation	Classification Data	Part no.	Qty.	Unit
49c	Wear ring					
- 51	Shaft, spline, cpl.					
	Bar					
62	Stop ring					
64d	Spacing bush					
64c	Spacer					
64b	Spacing bush		Length (mm): 5.00			
64a	Spacing pipe		Internal diameter: 17,5			
			Length (mm): 17			
64	Spacing pipe		Length (mm): 43.6			
66	Wedge lock washer					
67	Lock nut		Thread: M8			
69	Spacing bush					
-	Kit, Coupling			96511351	1	
	Adjusting fork					
- 8	Coupling					
9	Hex socket head cap screw		Designation: DIN 912			
			Length (mm): 25			
			Thread: M10			
10a	Coupling half					
10	Shaft pin		Diameter: 5			
			Length (mm): 26			
-	Kit, Coupling guard			96509613	1	
7.a	Combi Slot Torx screw					
7	Coupling guard					
-	Kit, Gaskets			96509609	1	
	Gasket					
24	O-ring					
37	O-ring					
38	O-ring					
38	O-ring					
38	O-ring					
60	Spring					
415	Gasket		Internal diameter: 44			
			Outer diameter: 60			
			Thickness: 2			
441b	Gasket		Internal diameter: 49			
			Outer diameter: 92			
			Thickness: 2			
-	Kit, Plug			96511311	1	
- 18	Air vent screw					
	Spindle					
	Plug					
25a	Drain plug					
25	Plug					
38	O-ring					
38	O-ring					
38	O-ring					
38	O-ring		Diameter: 5,3			
			Material type: FKM			
			Thickness: 2,4			
38	O-ring		Diameter: 16,3			
			Material type: FKM			
			Thickness: 2,4			
38	O-ring		Diameter: 16,3			
			Material type: FKM			
			Thickness: 2,4			
-	Kit, Shaft seal HQQE			96511844	1	

**Company name:** Parkway Process Solutions  
**Created by:** Parkway Process Solutions  
**Phone:** +61 (0) 390 693 200  
**Email:** solutions@pwnps.com  
**Date:** 11/23/2021

Pos	Description	Annotation	Classification Data	Part no.	Qty.	Unit
105	Shaft seal		Material type: HQQE			
-	Kit, Wear parts			96511824	1	
-	4a	Intermediate chamber cpl.				
		Sand Lifter				
		Guide cup				
		Bearing plate				
		Guide vane				
3	Intermediate chamber					
45	Neck ring cpl.					
47	Bearing bush					
65	Retainer					
26.c	Washer		Designation: DIN 125A Thickness: 1,6			
26.b	Hex head screw					
45	Neck ring cpl.					
47a	Bearing ring					
49c	Wear ring					
62	Retaining ring					
64d	Spacing bush					
64c	Spacer					
64b	Spacing bush		Length (mm): 5.00			
64a	Spacing pipe		Internal diameter: 17,5 Length (mm): 17			
65	Retainer					
66	Wedge lock washer					
67	Lock nut		Thread: M8			
-	Motor				1	
-	Kit, Blanking plug			99052476		
252b	Blind plug					
252b	Plug cpl.					
-	Kit, Cable gland			98736115		
293	Cable glands set					
-	Kit, Connector plugs			98403113		
266	Connector plug 10-pole					
266	Connector plug 2-pole					
266	Connector plug 8-pole					
266	Connector plug 8-pole					
266	Connector plug 8-pole					
266	Connector plug 3-pole					
266	Connector plug 3-pole					
266	Connector plug 3-pole					
-	Kit, Control box			98878620		
251d	Pan head thread forming screw					
251b	Control box					
251a	Control box cpl.					
252b	Blind plug					
252b	Plug cpl.					
266	Connector plug 10-pole					
266	Connector plug 8-pole					
266	Connector plug 8-pole					
266	Connector plug 8-pole					
266	Connector plug 3-pole					
266	Connector plug 3-pole					
266	Connector plug 3-pole					
268a	Base					
268	Pan head screw					
273b	Battery					
273a	Cross recess Pan head screw					

**Company name:** Parkway Process Solutions  
**Created by:** Parkway Process Solutions  
**Phone:** +61 (0) 390 693 200  
**Email:** solutions@pwnps.com  
**Date:** 11/23/2021

Pos	Description	Annotation	Classification Data	Part no.	Qty.	Unit
273	Funct. Module cpl.					
275a	Pin					
277b	Spring					
277a	Cross recess Pan head screw					
277	Cover					
286	Spacer					
287	Cover					
288b	Retaining ring					
288a	Pan head thread forming screw					
288	Wire clamp					
289a	Pan head thread forming screw					
289	Wire clamp					
290	Control panel, cpl.					
301	Jumper					
-	Kit, Control box upper					98869871
251b	Pan head thread forming screw					
251b	Control box					
-	Kit, Control panel					98939971
290	Control panel, cpl.					
-	Kit, Cover					98330622
287	Cover					
-	Kit, End shield (NDE)					98869885
150b	O-ring					
156c	Seal ring					
156.a	End shield NDE					
157	O-ring		Diameter: 62			
			Material type: NBR			
			Thickness: 3			
158	Waved washer					
206	Pan head thread forming screw					
206	Hex socket head cap screw					
207b	Nut					
-	Kit, Fan					98869879
152	Pan head thread forming screw					
156c	Seal ring					
156	Fan					
-	Kit, Fan cover					99957566
151	Fan cover					
152	Pan head thread forming screw					
-	Kit, Flange (DE)					98869905
	Glue					
150b	O-ring					
155a	Bearing cover					
156c	Seal ring					
156b	Flange					
185	Hex socket head cap screw					
201c	Drain plug					
208b	Nut					
208a	Gasket					
208	Hex socket head cap screw		Designation: DIN912			
			Length (mm): 40			
			Thread: M5			
-	Kit, Funct. module					98334777
273a	Cross recess Pan head screw					
273	Funct. Module cpl.					
275a	Pin					
286	Spacer					
-	Kit, Isolation cover					98859523

**Company name:** Parkway Process Solutions  
**Created by:** Parkway Process Solutions  
**Phone:** +61 (0) 390 693 200  
**Email:** solutions@pwnps.com  
**Date:** 11/23/2021

Pos	Description	Annotation	Classification Data	Part no.	Qty.	Unit
277b	Spring					
277a	Cross recess Pan head screw					
277	Cover					
-	Kit, Lower part cpl.				98859573	
178	Pan head thread forming screw					
251a	Control box cpl.					
275a	Pin					
277a	Cross recess Pan head screw					
277	Cover					
-	Kit, Motor				99010792	
	Hex socket head cap screw					
	Glue					
	Terminal					
66a	Washer					
111	Ball bearing		Designation: 6206.2Z.C3.SYN			
118a	Hex socket head cap screw					
150b	O-ring					
150	Stator w/housing					
151	Fan cover					
152	Pan head thread forming screw					
153	Angular-contact bearing					
155a	Bearing cover					
156d	Gasket					
156c	Seal ring					
156c	Seal ring					
156b	Flange					
156.a	End shield NDE					
156	Fan					
157	O-ring		Diameter: 62 Material type: NBR Thickness: 3			
158	Waved washer					
172	Shaft w/rotor					
185	Hex socket head cap screw					
186	Drain plug					
187	Retaining ring					
203	Terminal plug					
208b	Nut					
208b	Nut					
208a	Gasket					
208	Hex socket head cap screw		Designation: DIN912 Length (mm): 40 Thread: M5			
289a	Pan head thread forming screw					
-	Kit, Plug				99028677	
152	Pan head thread forming screw					
203	Terminal plug					
205	Gasket					
-	Kit, Screws				99028725	
268a	Base					
268	Pan head screw					
288b	Retaining ring					
288a	Pan head thread forming screw					
288	Wire clamp					
289a	Pan head thread forming screw					
289	Wire clamp					
-	Kit, Staybolts				98881543	
181	Pan head staybolt					

**Company name:** Parkway Process Solutions  
**Created by:** Parkway Process Solutions  
**Phone:** +61 (0) 390 693 200  
**Email:** solutions@pwnps.com  
**Date:** 11/23/2021

Pos	Description	Annotation	Classification Data	Part no.	Qty.	Unit
	Lifting device				99140040	
111	Ball bearing		Designation: 6206.2Z.C3.SYN		99078033	
111	Ball bearing		Designation: 6206.2Z.C3.SYN		97501070	
152	Pan head thread forming screw				99834207	
152	Pan head thread forming screw				99814578	
153	Angular-contact bearing				98412045	
153	Angular-contact bearing				98576644	
186	Drain plug				99980519	
251d	Pan head thread forming screw				98995460	
266	Connector plug 3-pole				99421265	
1	Flange				99104283	1
2a	Pump head				98770239	1
+ 3	Top intermediate chamber				96538971	1
+ 3	Top intermediate chamber				98371105	1
- 4a	Intermediate chamber cpl.				98371109	1
3	Intermediate chamber				96535086	
+ 4a	Intermediate chamber cpl.				96538842	1
+ 4a	Intermediate chamber cpl.				98371108	1
- 4	Intermediate chamber cpl.				98371107	4
65	Retainer for upper seal ring				97699527	
65	Retainer for upper seal ring				96587913	
+ 4	Intermediate chamber cpl.				96538817	4
+ 4	Intermediate chamber cpl.				98371106	4
6	Base				98681111	1
7.a	Combi Slot Torx screw				96886324	4
10	Shaft pin		Diameter: 5		96536473	1
			Length (mm): 26			
10	Shaft pin		Diameter: 5		96587588	1
			Length (mm): 26			
+ 18	Air vent screw				96547461	1
+ 18	Air vent screw				95061351	1
25	Plug				96536013	1
25a	Drain plug				96535881	1
26a	Strap cpl.				98852388	2
26.c	Washer		Designation: DIN 125A		99262704	2
			Thickness: 1,6			
26.c	Washer		Designation: DIN 125A		99886930	2
			Thickness: 1,6			
26	Staybolt				98450265	4
28	Hex head screw		Length (mm): 30		92673889	4
			Thread: M12			
32	Washer		Designation: DIN 125 A		98923051	4
			Internal diameter: 17			
			Outer diameter: 30			
			Thickness: 3			
36	Hex nut		Thread: M16		96620480	4
37	O-ring				96538857	2
38	O-ring				99198791	1
38	O-ring				99198815	2
38	O-ring				99412727	2
44b	Inlet part				98814595	1
+ 44a	Inlet part cpl.				98818924	1
47a	Bearing ring				96538795	1
- 49	Impeller cpl.				96538799	6
49c	Wear ring				96547340	
+ 49	Impeller cpl.				98394458	6
+ 51	Shaft, spline, cpl.				98368613	1
55	Outer sleeve				98450263	1



**Company name:** Parkway Process Solutions  
**Created by:** Parkway Process Solutions  
**Phone:** +61 (0) 390 693 200  
**Email:** solutions@pwnps.com  
**Date:** 11/23/2021

Pos	Description	Annotation	Classification Data	Part no.	Qty.	Unit
60	Spring			96538963	4	
64d	Spacing bush			96538947	1	
64c	Spacer			97980241	1	
64b	Spacing bush		Length (mm): 5.00	96535098	1	
64a	Spacing pipe		Internal diameter: 17,5	98417487	1	
			Length (mm): 17			
64	Spacing pipe		Length (mm): 43.6	96535107	4	
66	Wedge lock washer			96536157	1	
66	Wedge lock washer			92575609	1	
67	Lock nut		Thread: M8	98277008	1	
69	Spacing bush			96538949	1	
76a	Rivet			96620489	1	
105	Shaft seal		Material type: HQQE	96538914	1	