

Qty. Description

1 **HYDRO MULTI-E 2 CRE 15-4**



Note! Product picture may differ from actual product

Product No.: [99614453](#)

GRUNDFOS Hydro Multi-E booster sets are designed for the transfer and pressure boosting of clean water in waterworks, blocks of flats, hotels, industry, hospitals, schools, etc.

GRUNDFOS Hydro Multi-E booster sets consists of 2 to 3 CR(N)E pumps coupled in parallel and mounted on a common base frame provided with all the necessary fittings.

Hydro Multi-E is mounted on a common base frame made in black painted mild steel.

On the suction side are fitted a suction manifold (AISI 316 or EN 1.4571) and two pressure transmitters which are mounted on an isolating valve.

On the discharge side of the pumps are fitted a non-return valve, an isolating valve, a pressure gauge, two pressure transmitters mounted on an isolating valve, a diaphragm tank and a stainless steel discharge manifold (AISI 316 or EN 1.4571).

The Hydro Multi-E is fitted with an on/off-switch for the supply voltage.

The Hydro Multi-E is designed for maintaining a constant pressure regardless of flow changes and fluctuation.

The internal PI-controller regulates the number of running pumps and the speed of the pumps according to the required flow.

The system can be operated directly on the graphical display of any of the pumps or via Grundfos GO (available as accessory)

Besides the system features:

2 Relay outputs

2 Digital inputs (one used for external start/stop)

2 Digital configurable input/output (one used for external start/stop)

3 analogue inputs (one used for discharge pressure and one used for inlet pressure)

Multi-Master functionality

2 Limit exceed functions (one used for dry running protection)

Set-point influence

Pipe filling function

Proportional pressure and High Efficient PM motors

Available communication protocols:

LON

PROFIBUS DP

PROFIBUS IO

BACnet MS/TP

BACnet IP

Modbus RTU

Modbus TCP

Ethernet IP

Cellular 3G/4G

GiC/GRM

When delivered, the GRUNDFOS Hydro Multi-E booster set is factory tested and ready for operation.

Company name: Parkway Process Solutions
Created by: Parkway Process Solutions
Phone: +61 (0) 390 693 200
Email: solutions@pwnps.com
Date: 11/23/2021

Qty. Description

Liquid:
 Pumped liquid: Water
 Liquid temperature range: 5 .. 60 °C
 Selected liquid temperature: 20 °C
 Density: 998.2 kg/m³

Materials:
 Pump housing: Cast iron

Installation:
 Maximum operating pressure: 10 bar
 Maximum permissible inlet pressure: PN 16 bar
 Flange standard: DIN2642
 Manifold inlet: DN 80
 Manifold outlet: DN 80

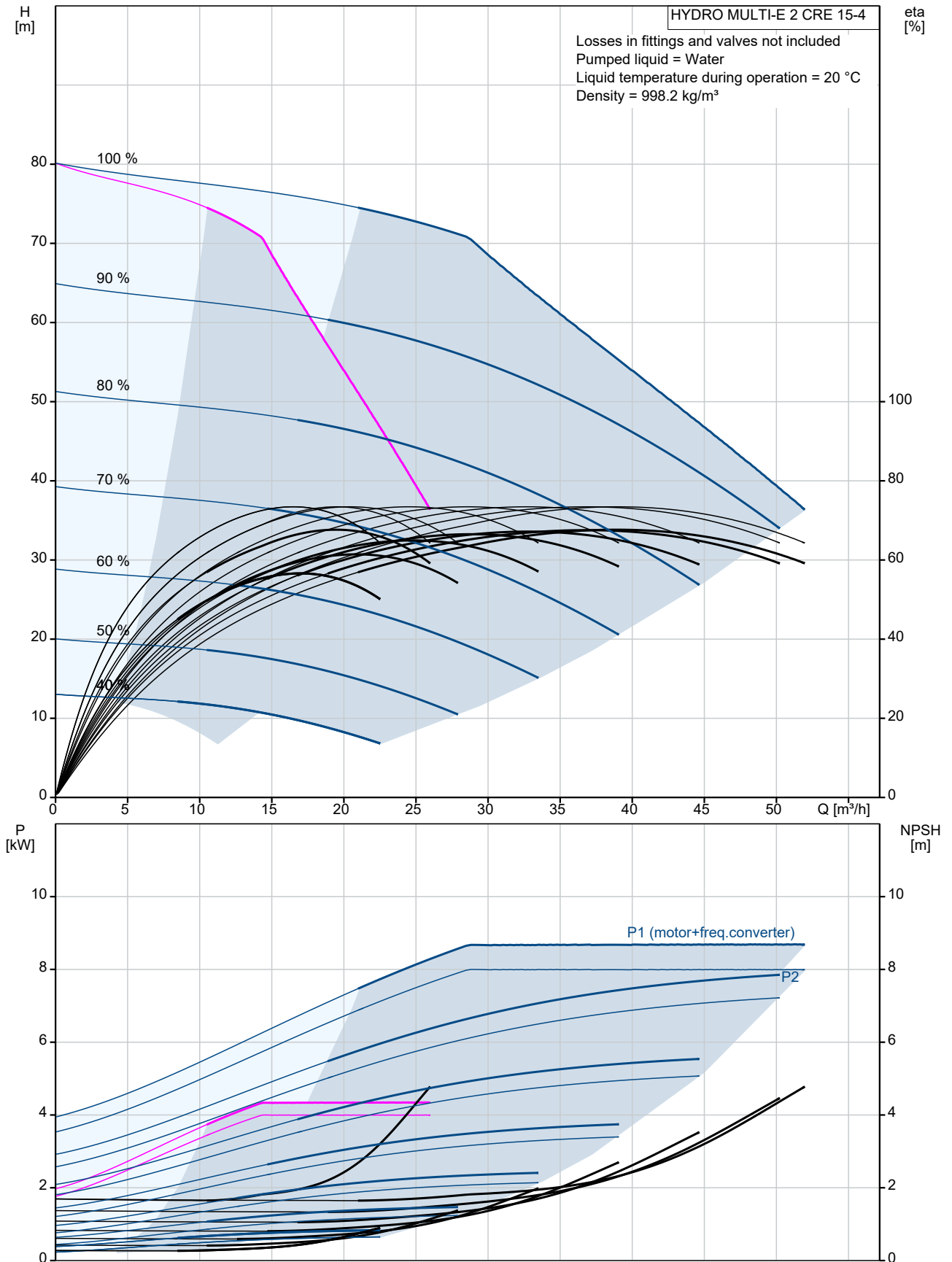
Electrical data:
 IE Efficiency class: IE5
 Power (P2) main pump: 4 kW
 Mains frequency: 50 / 60 Hz
 Rated voltage: 3 x 380-415 V
 Rated current: 16.2 A
 Start. method: electronically
 Enclosure class (IEC 34-5): IP55

Tank:
 Volume of pressure tank: 24 l
 Diaphragm tank: Yes

Others:
 Net weight: 200 kg
 Gross weight: 229 kg
 Shipping volume: 1.01 m³
 Language: Multi
 Country of origin: SG
 Custom tariff no.: 8413709062

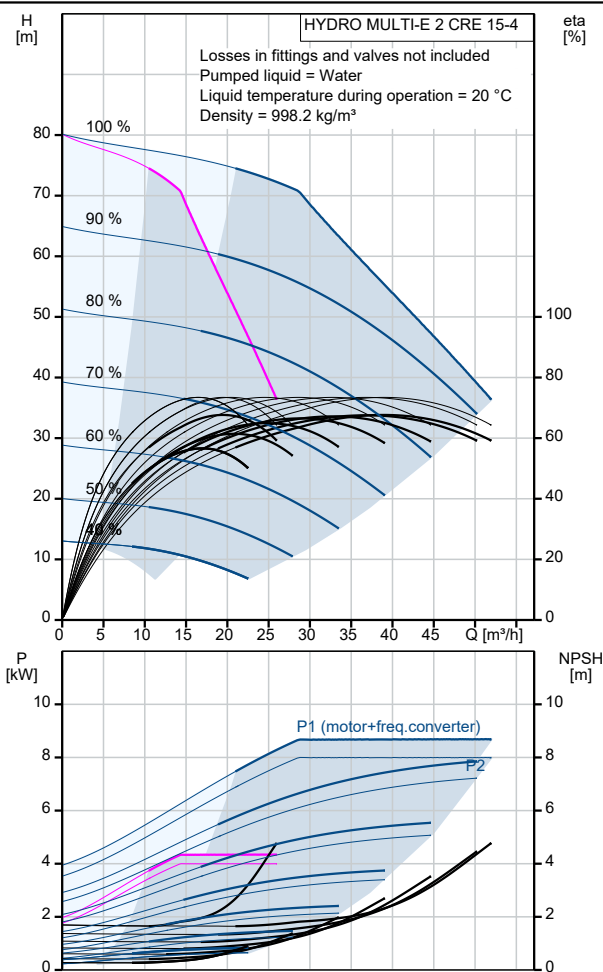
Company name: Parkway Process Solutions
Created by: Parkway Process Solutions
Phone: +61 (0) 390 693 200
Email: solutions@pwnps.com
Date: 11/23/2021

99614453 HYDRO MULTI-E 2 CRE 15-4



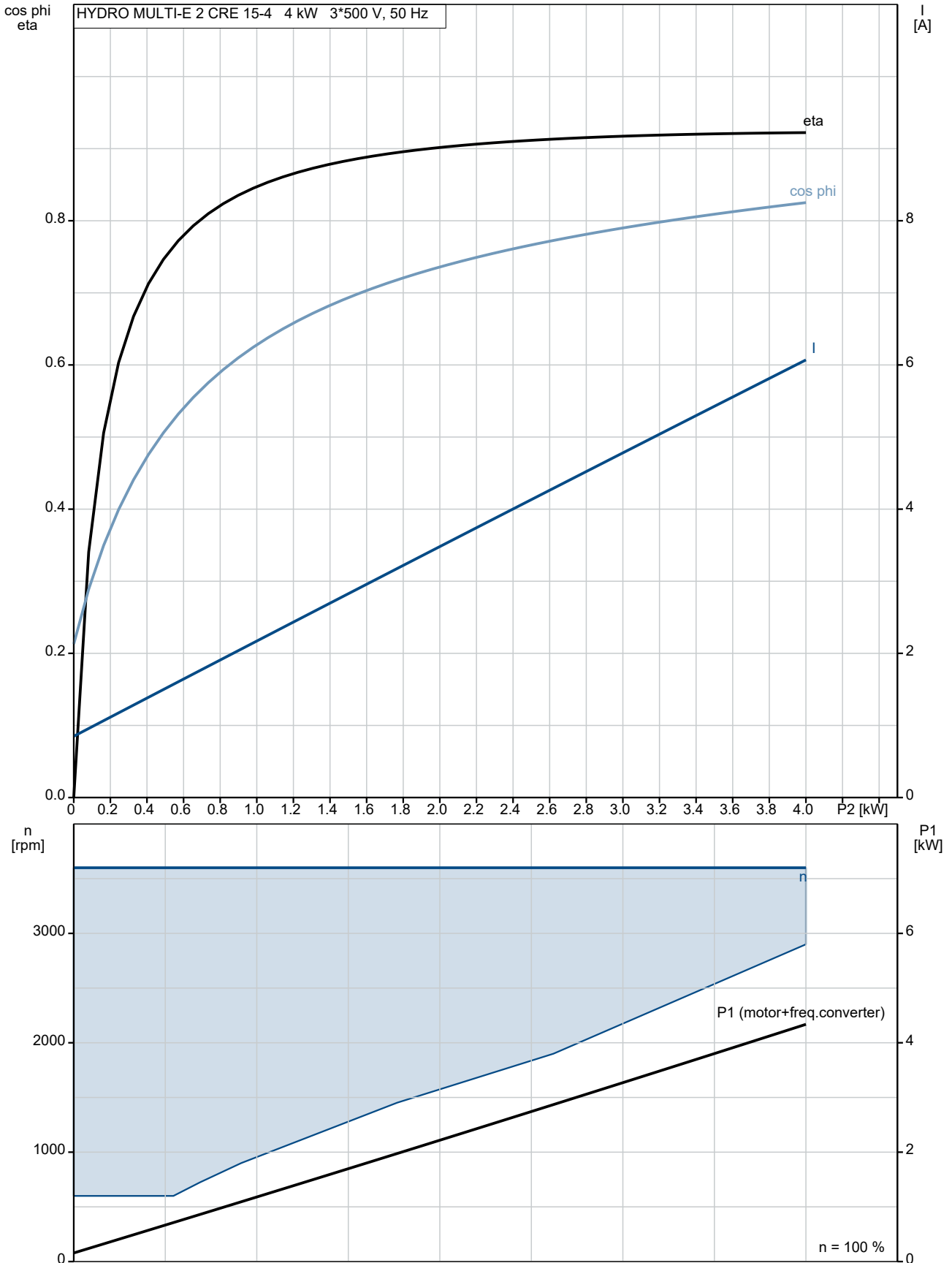
Company name: Parkway Process Solutions
Created by: Parkway Process Solutions
Phone: +61 (0) 390 693 200
Email: solutions@pwnps.com
Date: 11/23/2021

Description	Value
General information:	
Product name:	HYDRO MULTI-E 2 CRE 15-4
Product No:	99614453
EAN number:	5713831937555
Price:	
Technical:	
Max flow:	56 m ³ /h
Max flow:	56 m ³ /h
Min flow system:	10 m ³ /h
Head max:	82 m
Pump name:	CRE 15-4
Number of pumps:	2
Materials:	
Pump housing:	Cast iron
Manifolds:	Stainless steel
Installation:	
Maximum operating pressure:	10 bar
Maximum permissible inlet pressure:	PN 16 bar
Flange standard:	
Flange standard:	DIN2642
Manifold inlet:	DN 80
Manifold outlet:	DN 80
Liquid:	
Pumped liquid:	Water
Liquid temperature range:	5 .. 60 °C
Selected liquid temperature:	20 °C
Density:	998.2 kg/m ³
Electrical data:	
IE Efficiency class:	IE5
Power (P2) main pump:	4 kW
Mains frequency:	50 / 60 Hz
Rated voltage:	3 x 380-415 V
Rated current:	16.2 A
Start. method:	electronically
Enclosure class (IEC 34-5):	IP55
Tank:	
Volume of pressure tank:	24 l
Diaphragm tank:	Yes
Others:	
Net weight:	200 kg
Gross weight:	229 kg
Shipping volume:	1.01 m ³
Language:	Multi
Sales region:	Asia
Product range:	I
Country of origin:	SG
Custom tariff no.:	8413709062



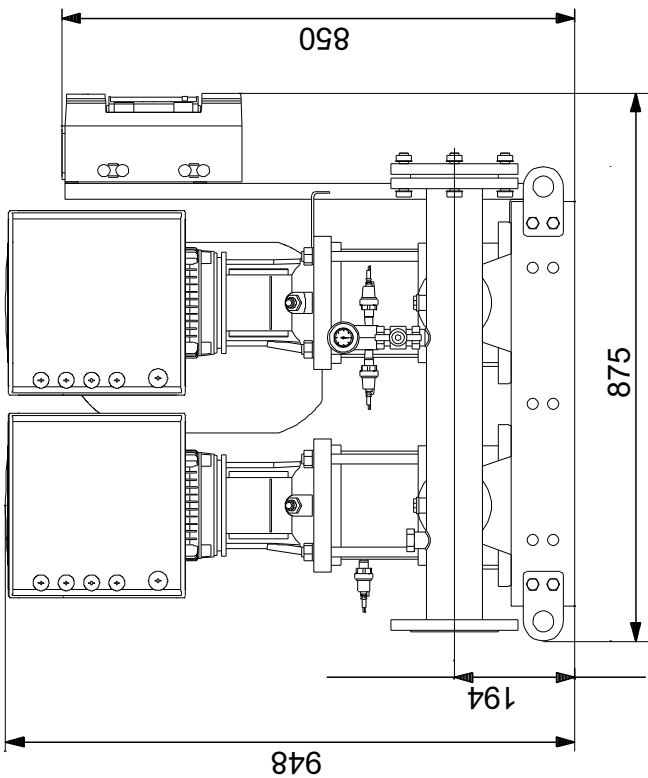
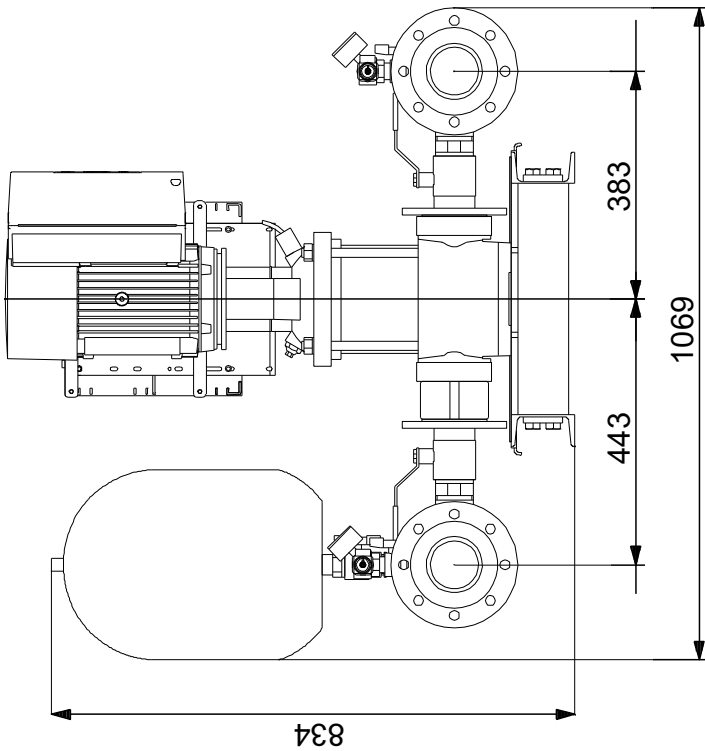
Company name: Parkway Process Solutions
Created by: Parkway Process Solutions
Phone: +61 (0) 390 693 200
Email: solutions@pwnps.com
Date: 11/23/2021

99614453 HYDRO MULTI-E 2 CRE 15-4



Company name: Parkway Process Solutions
Created by: Parkway Process Solutions
Phone: +61 (0) 390 693 200
Email: solutions@pwnps.com
Date: 11/23/2021

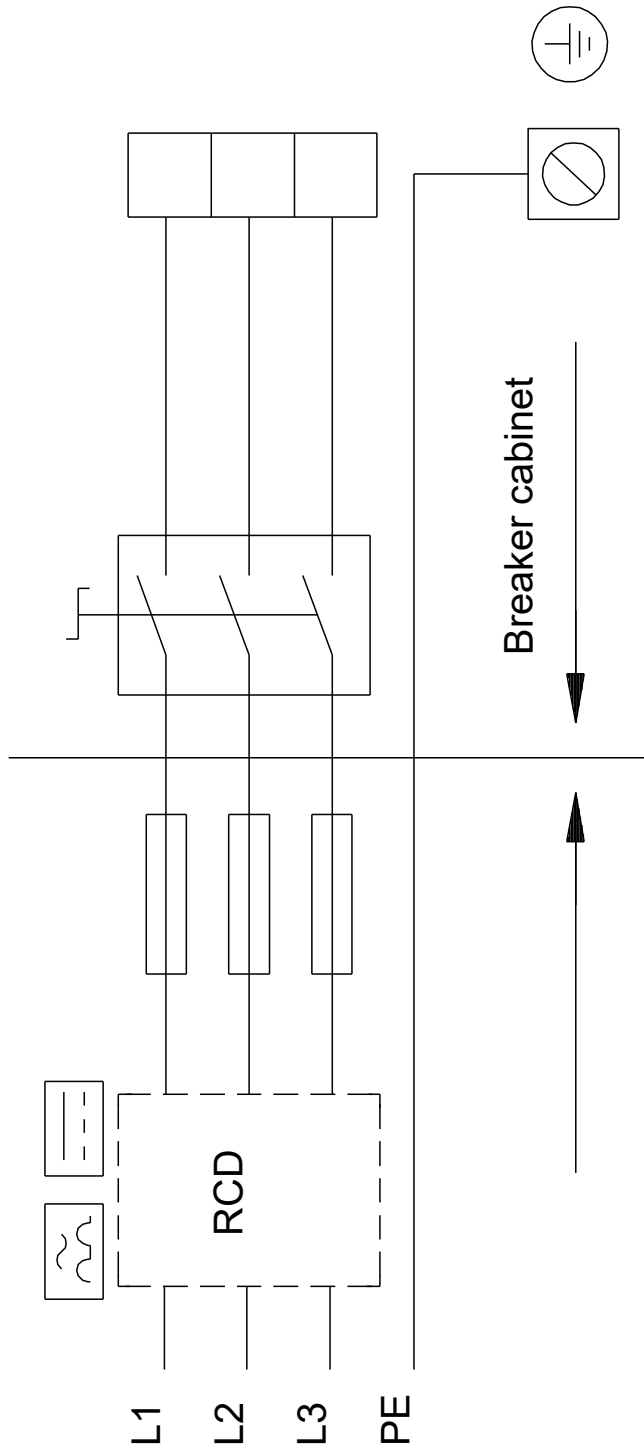
99614453 HYDRO MULTI-E 2 CRE 15-4



Note! All units are in [mm] unless others are stated.
Disclaimer: This simplified dimensional drawing does not show all details.

Company name: Parkway Process Solutions
Created by: Parkway Process Solutions
Phone: +61 (0) 390 693 200
Email: solutions@pwnps.com
Date: 11/23/2021

99614453 HYDRO MULTI-E 2 CRE 15-4



Note! All units are in [mm] unless others are stated.

Company name: Parkway Process Solutions
Created by: Parkway Process Solutions
Phone: +61 (0) 390 693 200
Email: solutions@pwnps.com
Date: 11/23/2021

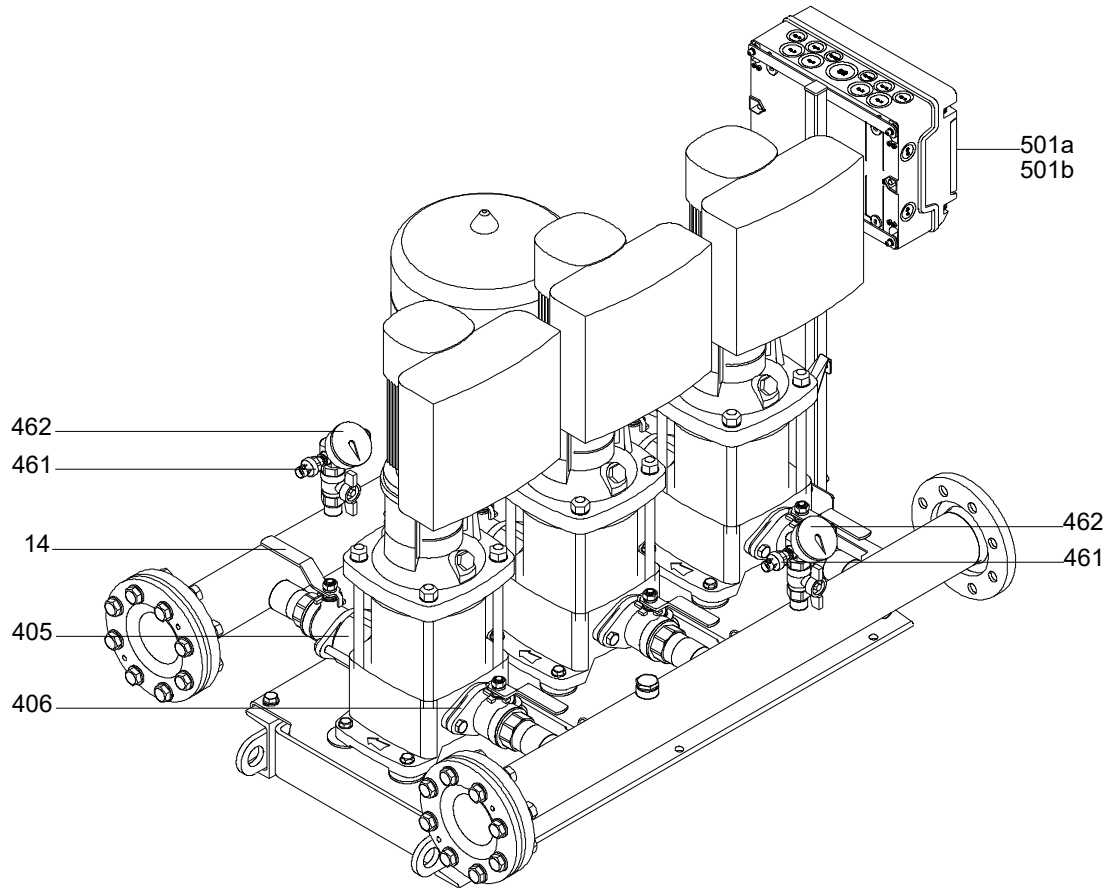
Order Data:

Product name: HYDRO MULTI-E 2 CRE 15-4
Amount: 1
Product No: 99614453
Price:

Total: Price on request

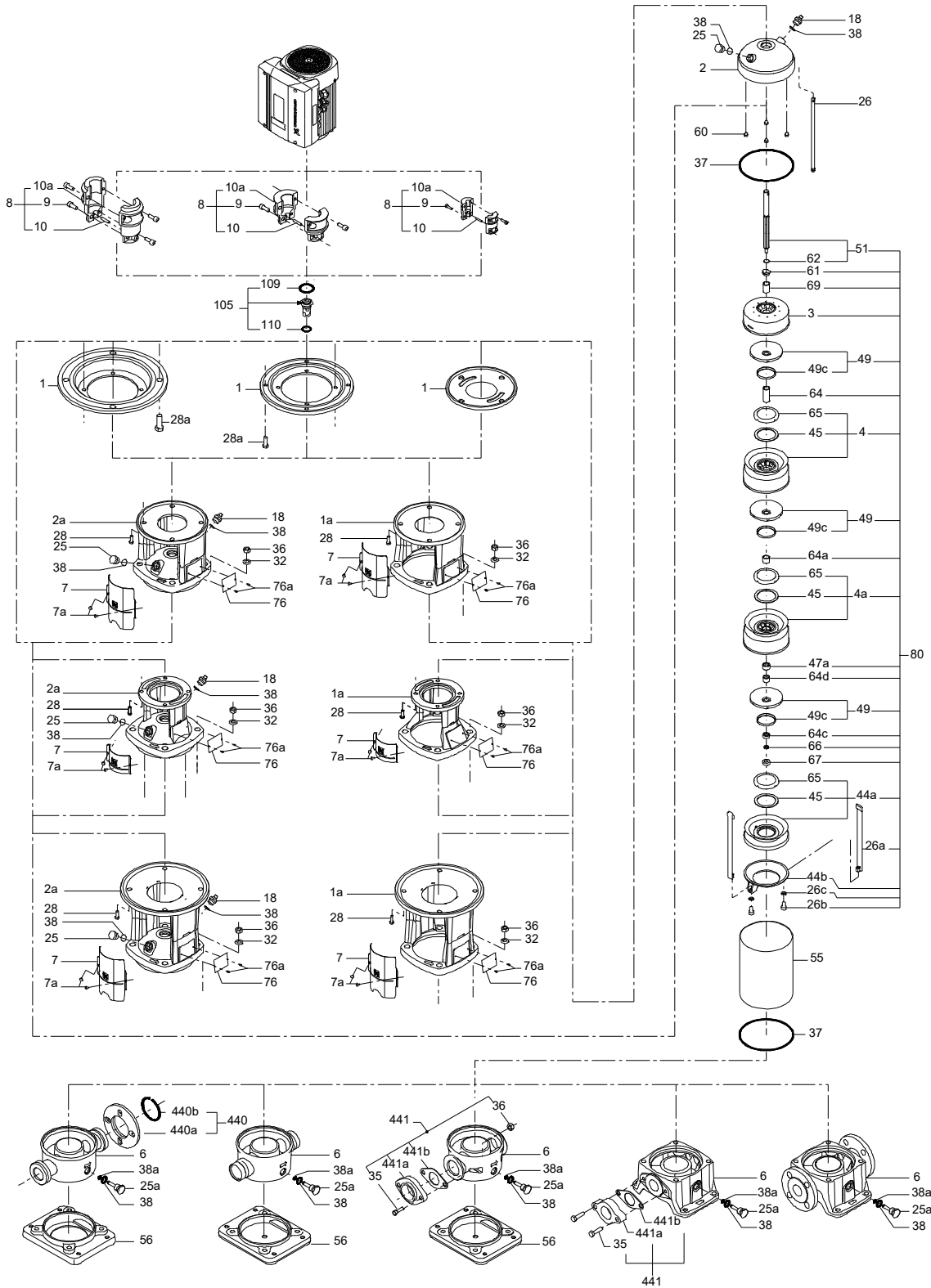
Company name: Parkway Process Solutions
Created by: Parkway Process Solutions
Phone: +61 (0) 390 693 200
Email: solutions@pwnps.com
Date: 11/23/2021

(TM076325 for project Multi-E Asia Pacific)



Company name: Parkway Process Solutions
Created by: Parkway Process Solutions
Phone: +61 (0) 390 693 200
Email: solutions@pwnps.com
Date: 11/23/2021

(tm069469 for MECR15,20 standard)



Company name: Parkway Process Solutions
Created by: Parkway Process Solutions
Phone: +61 (0) 390 693 200
Email: solutions@pwnps.com
Date: 11/23/2021

Spare parts HYDRO MULTI-E 2 CRE 15-4, Product No. 99614453
Produced After 1948 (production year and week number)

Pos	Description	Annotation	Classification Data	Part no.	Qty.	Unit
-	Kit, Manometer 0-10 bar			97896856	2	pcs
462	Pressure gauge				1	
-	Kit, Non-return valve			96637445	1	pcs
405	Non-return valve				1	
-	Spare, Cabinet			99876844	1	pcs
501a	Cabinet				1	
-	Spare, Fusebox			99876823	1	pcs
501b	Fusebox				1	
-	Spare, Gasket			99876895	4	pcs
406	Gasket		Internal diameter: 61 Outer diameter: 107 Thickness: 2		1	
-	Spare, PressureTr. 0-10 bar			99257835	1	pcs
461	Pressure transducer				1	
-	Spare, PressureTr. 0-6 bar			99257833	1	pcs
461	Pressure transducer				1	
-	Spare, Valve with flange			99876847	2	pcs
14	Valve cpl.				1	
-	Pump				2	pcs
-	Kit, Chamber stack			96508456	1	
-	80	Chamber stack				
-	3	Top intermediate chamber				
		Intermediate chamber				
		Front plate				
		Guide vane				
-	4a	Intermediate chamber cpl.				
		Bearing plate				
3		Intermediate chamber				
45		Neck ring cpl.				
47		Bearing bush				
65		Retainer for upper seal ring				
-	4	Intermediate chamber cpl.				
45		Neck ring cpl.				
65		Retainer for upper seal ring				
26a		Strap cpl.				
26.c		Washer	Designation: DIN 125A Thickness: 1,6			
26.b		Hex head screw				
44b		Inlet part				
-	44a	Inlet part cpl.				
		Sand Lifter				
		Guide cup				
		Inlet part				
45		Neck ring cpl.				
65		Retainer for upper seal ring				
47a		Bearing ring				
-	49	Impeller cpl.				
		Impeller plate				
		Impeller plate				
		Blade				
49c		Wear ring				
-	51	Shaft, spline, cpl.				
		Bar				

Company name: Parkway Process Solutions
Created by: Parkway Process Solutions
Phone: +61 (0) 390 693 200
Email: solutions@pwnps.com
Date: 11/23/2021

Pos	Description	Annotation	Classification Data	Part no.	Qty.	Unit
62	Stop ring					
64d	Spacing bush					
64c	Spacer					
64b	Spacing bush		Length (mm): 5.00			
64a	Spacing pipe		Internal diameter: 17,5			
			Length (mm): 17			
64	Spacing pipe		Length (mm): 43.6			
66	Wedge lock washer					
67	Lock nut		Thread: M8			
69	Spacing bush					
-	Kit, Coupling			96511350	1	
	Adjusting fork					
9	Hex socket head cap screw		Designation: DIN 912			
			Length (mm): 25			
			Thread: M8			
10a	Coupling half					
10	Shaft pin		Diameter: 5			
			Length (mm): 26			
-	Kit, Coupling guard			96509612	1	
7.a	Combi Slot Torx screw					
7	Coupling guard					
-	Kit, Gaskets			96509609	1	
	Gasket					
24	O-ring					
37	O-ring					
38	O-ring					
38	O-ring					
38	O-ring					
60	Spring					
415	Gasket		Internal diameter: 44			
			Outer diameter: 60			
			Thickness: 2			
441b	Gasket		Internal diameter: 49			
			Outer diameter: 92			
			Thickness: 2			
-	Kit, Plug			96511311	1	
-	18	Air vent screw				
		Spindle				
		Plug				
25a	Drain plug					
25	Plug					
38	O-ring					
38	O-ring					
38	O-ring					
38	O-ring		Diameter: 5,3			
			Material type: FKM			
			Thickness: 2,4			
38	O-ring		Diameter: 16,3			
			Material type: FKM			
			Thickness: 2,4			
38	O-ring		Diameter: 16,3			
			Material type: FKM			
			Thickness: 2,4			
-	Kit, Shaft seal HQQE			96511844	1	
105	Shaft seal		Material type: HQQE			
-	Kit, Wear parts			96511824	1	
-	4a	Intermediate chamber cpl.				
		Sand Lifter				

Company name: Parkway Process Solutions
Created by: Parkway Process Solutions
Phone: +61 (0) 390 693 200
Email: solutions@pwnps.com
Date: 11/23/2021

Pos	Description	Annotation	Classification Data	Part no.	Qty.	Unit
	Guide cup					
	Bearing plate					
	Guide vane					
3	Intermediate chamber					
45	Neck ring cpl.					
47	Bearing bush					
65	Retainer					
26.c	Washer		Designation: DIN 125A			
			Thickness: 1,6			
26.b	Hex head screw					
45	Neck ring cpl.					
47a	Bearing ring					
49c	Wear ring					
62	Retaining ring					
64d	Spacing bush					
64c	Spacer					
64b	Spacing bush		Length (mm): 5.00			
64a	Spacing pipe		Internal diameter: 17,5			
			Length (mm): 17			
65	Retainer					
66	Wedge lock washer					
67	Lock nut		Thread: M8			
2a	Pump head			98785091	1	
+ 3	Top intermediate chamber			96538971	1	
+ 3	Top intermediate chamber			98371105	1	
- 4a	Intermediate chamber cpl.			98371109	1	
3	Intermediate chamber			96535086		
+ 4a	Intermediate chamber cpl.			96538842	1	
+ 4a	Intermediate chamber cpl.			98371108	1	
- 4	Intermediate chamber cpl.			98371107	2	
65	Retainer for upper seal ring			97699527		
65	Retainer for upper seal ring			96587913		
+ 4	Intermediate chamber cpl.			96538817	2	
+ 4	Intermediate chamber cpl.			98371106	2	
6	Base			98681111	1	
7.a	Combi Slot Torx screw			96886324	4	
10	Shaft pin		Diameter: 5	96536473	1	
			Length (mm): 26			
10	Shaft pin		Diameter: 5	96587588	1	
			Length (mm): 26			
+ 18	Air vent screw			96547461	1	
+ 18	Air vent screw			95061351	1	
25	Plug			96536013	1	
25a	Drain plug			96535881	1	
26a	Strap cpl.			98926722	2	
26.c	Washer		Designation: DIN 125A	99262704	2	
			Thickness: 1,6			
26.c	Washer		Designation: DIN 125A	99886930	2	
			Thickness: 1,6			
26	Staybolt			98982842	4	
28	Hex head screw		Length (mm): 25	99335941	4	
			Thread: M8			
32	Washer		Designation: DIN 125 A	98923051	4	
			Internal diameter: 17			
			Outer diameter: 30			
			Thickness: 3			
36	Hex nut		Thread: M16	96620480	4	
37	O-ring			96538857	2	

Company name: Parkway Process Solutions
Created by: Parkway Process Solutions
Phone: +61 (0) 390 693 200
Email: solutions@pwnps.com
Date: 11/23/2021

Pos	Description	Annotation	Classification Data	Part no.	Qty.	Unit
38	O-ring			99198791	1	
38	O-ring			99198815	2	
38	O-ring			99412727	2	
44b	Inlet part			98814595	1	
+ 44a	Inlet part cpl.			98818924	1	
47a	Bearing ring			96538795	1	
- 49	Impeller cpl.			98394448	4	
49c	Wear ring			96547340		
+ 51	Shaft, spline, cpl.			98368609	1	
55	Outer sleeve			98812623	1	
60	Spring			96538963	4	
64d	Spacing bush			96538947	1	
64c	Spacer			97980241	1	
64b	Spacing bush		Length (mm): 5.00	96535098	1	
64a	Spacing pipe		Internal diameter: 17,5	98417487	1	
			Length (mm): 17			
64	Spacing pipe		Length (mm): 43.6	96535107	2	
66	Wedge lock washer			96536157	1	
66	Wedge lock washer			92575609	1	
67	Lock nut		Thread: M8	98277008	1	
69	Spacing bush			96538949	1	
76a	Rivet			96620489	1	
105	Shaft seal		Material type: HQQE	96538914	1	