

Qty. Description

1 **MAGNA1 32-60 N**



Note! Product picture may differ from actual product

Product No.: [99221254](#)

The new MAGNA1 is the simple option for a job well done.

It is the perfect choice when replacing older circulators and due to its compliance with the EuP 2015 regulations, substantial savings on electricity is a reality.

The ideal choice for basic performance needs in applications where basic system control and monitoring is desired.

- Monitoring via the fault relay, ensuring peace of mind
- Digital start/stop input available for remote pump control
- Continuous operation and reduced downtime with the wireless twin pump function (available on twin-head pumps)
- High energy efficiency resulting in substantial savings on electricity
- Easy setup and operation via the simple user interface
- No maintenance due to the canned-rotor type design.

MAGNA1 is the simple and efficient choice for most applications including

- Heating
 - Main pump
 - Mixing loops
 - Heating surfaces
- Cooling
 - Air conditioning surfaces
 - Ground source heat pump systems
 - Smaller chiller applications

Liquid:

Pumped liquid: Water
 Liquid temperature range: -10 .. 110 °C
 Selected liquid temperature: 60 °C
 Density: 983.2 kg/m³

Technical:

TF class: 110
 Approvals on nameplate: CE,VDE,EAC,CN ROHS,WEEE

Materials:

Pump housing: Stainless steel
 EN 1.4308
 ASTM 351 CF8
 Impeller: PES 30%GF

Installation:

Range of ambient temperature: 0 .. 40 °C
 Maximum operating pressure: 10 bar
 Pipe connection: G 2"
 Pressure rating: PN 10



Company name:

Created by:

Phone:

Date:

22/04/2021

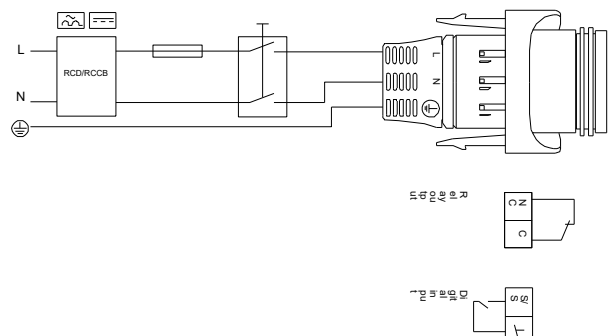
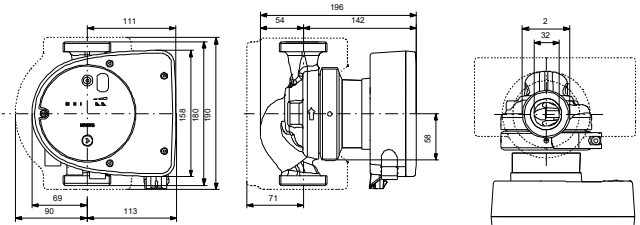
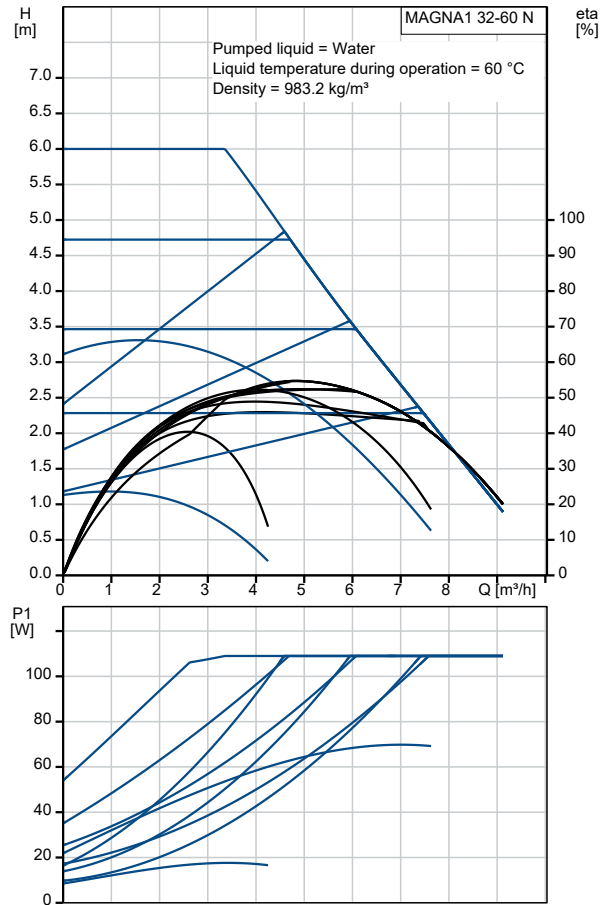
Qty. Description

Port-to-port length: 180 mm

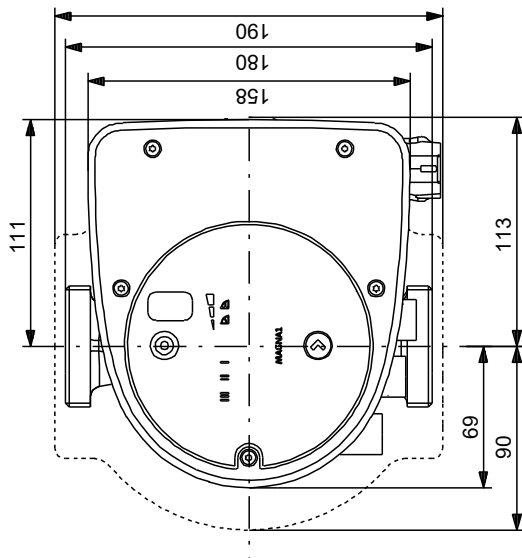
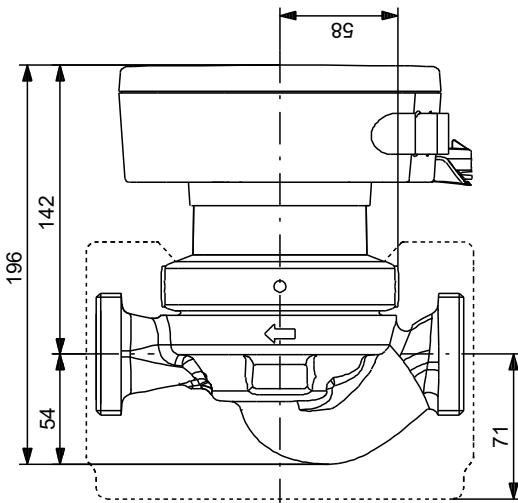
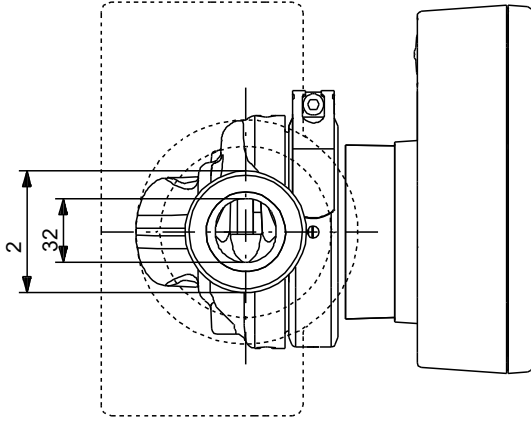
Electrical data:
Power input - P1: 9 .. 111 W
Mains frequency: 50 / 60 Hz
Rated voltage: 1 x 230 V
Maximum current consumption: 0.09 .. 0.9 A
Enclosure class (IEC 34-5): X4D
Insulation class (IEC 85): F

Others:
Energy (EEI): 0.20
Net weight: 4.88 kg
Gross weight: 5.58 kg
Shipping volume: 0.013 m³
Finnish LVI No.: 4615310
Country of origin: DE
Custom tariff no.: 8413709062

Description	Value
General information:	
Product name:	MAGNA1 32-60 N
Product No:	99221254
EAN number:	5712608942273
Price:	
Technical:	
Head max:	60 dm
TF class:	110
Approvals on nameplate:	CE,VDE,EAC,CN ROHS,WEEE
Model:	C
Materials:	
Pump housing:	Stainless steel
Pump housing:	EN 1.4308
Pump housing:	ASTM 351 CF8
Impeller:	PES 30%GF
Installation:	
Range of ambient temperature:	0 .. 40 °C
Maximum operating pressure:	10 bar
Pipe connection:	G 2"
Pressure rating:	PN 10
Port-to-port length:	180 mm
Liquid:	
Pumped liquid:	Water
Liquid temperature range:	-10 .. 110 °C
Selected liquid temperature:	60 °C
Density:	983.2 kg/m ³
Electrical data:	
Power input - P1:	9 .. 111 W
Mains frequency:	50 / 60 Hz
Rated voltage:	1 x 230 V
Maximum current consumption:	0.09 .. 0.9 A
Enclosure class (IEC 34-5):	X4D
Insulation class (IEC 85):	F
Others:	
Energy (EEI):	0.20
Net weight:	4.88 kg
Gross weight:	5.58 kg
Shipping volume:	0.013 m ³
Finnish LVI No.:	4615310
Country of origin:	DE
Custom tariff no.:	8413709062

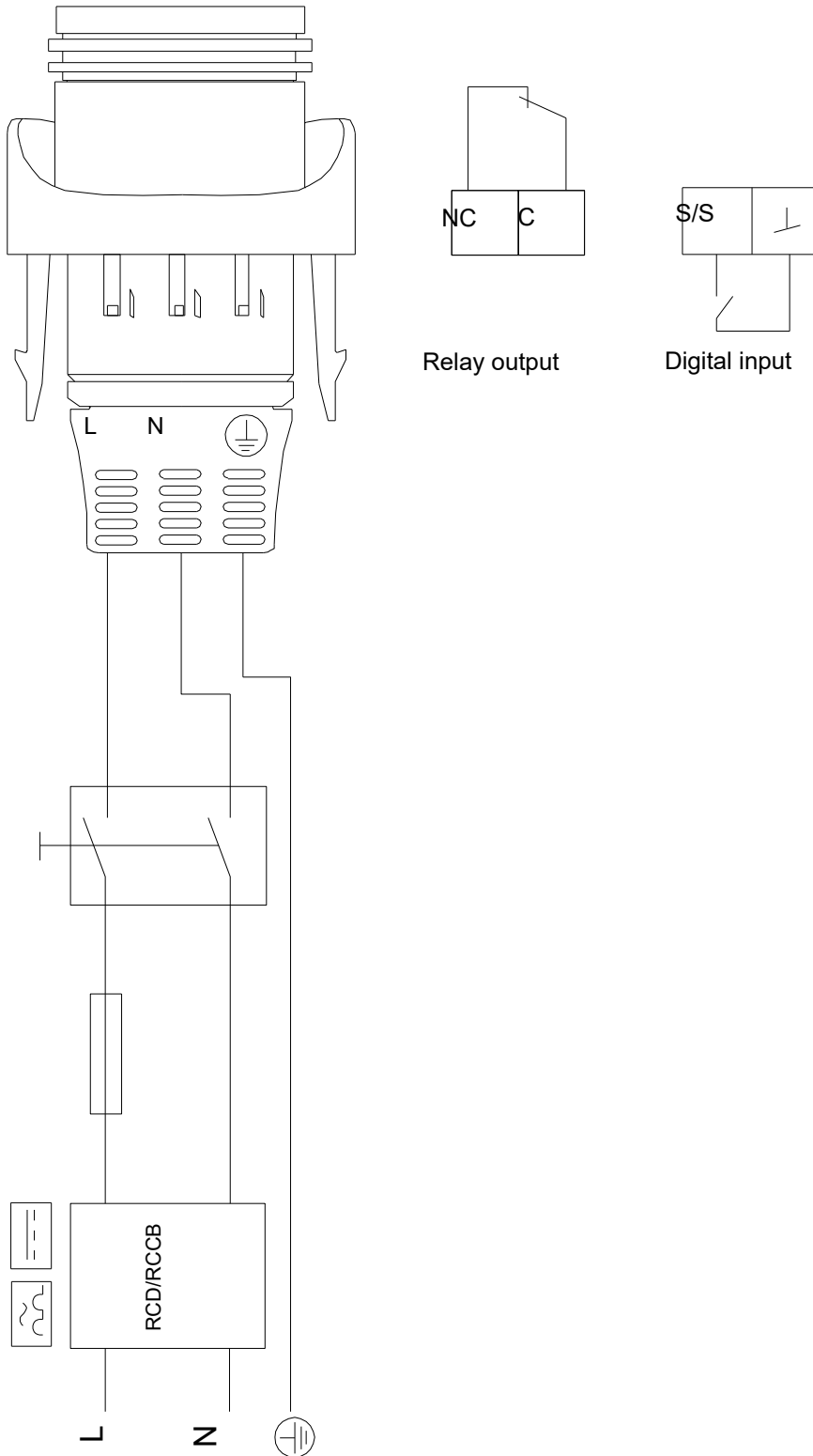


99221254 MAGNA1 32-60 N



Note! All units are in [mm] unless others are stated.
Disclaimer: This simplified dimensional drawing does not show all details.

99221254 MAGNA1 32-60 N



Note! All units are in [mm] unless others are stated.



Company name:

Created by:

Phone:

Date:

22/04/2021

Order Data:

Product name: MAGNA1 32-60 N

Amount: 1

Product No: 99221254

Price:

Total: Price on request

(TM055854 MAGNA1 200W)

