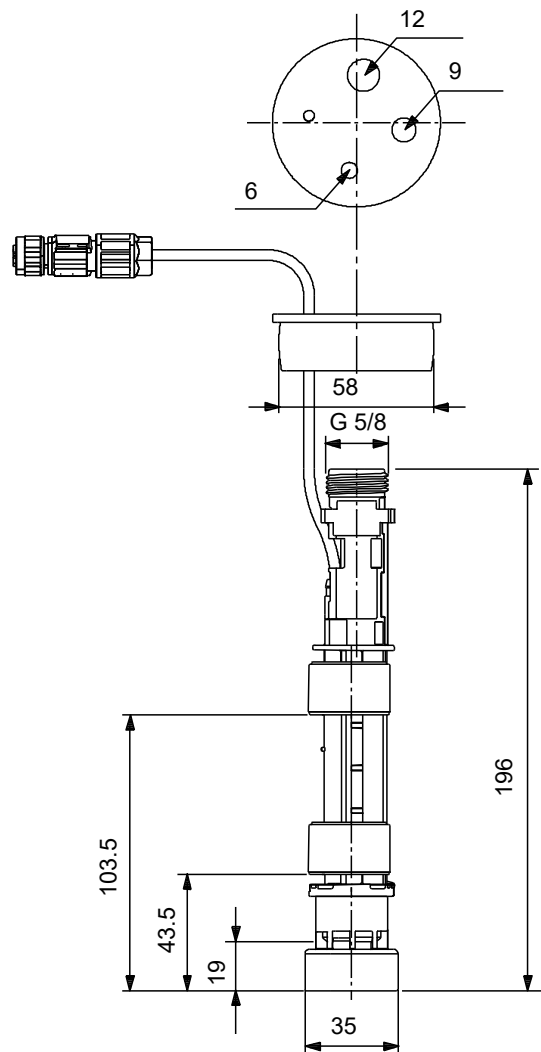
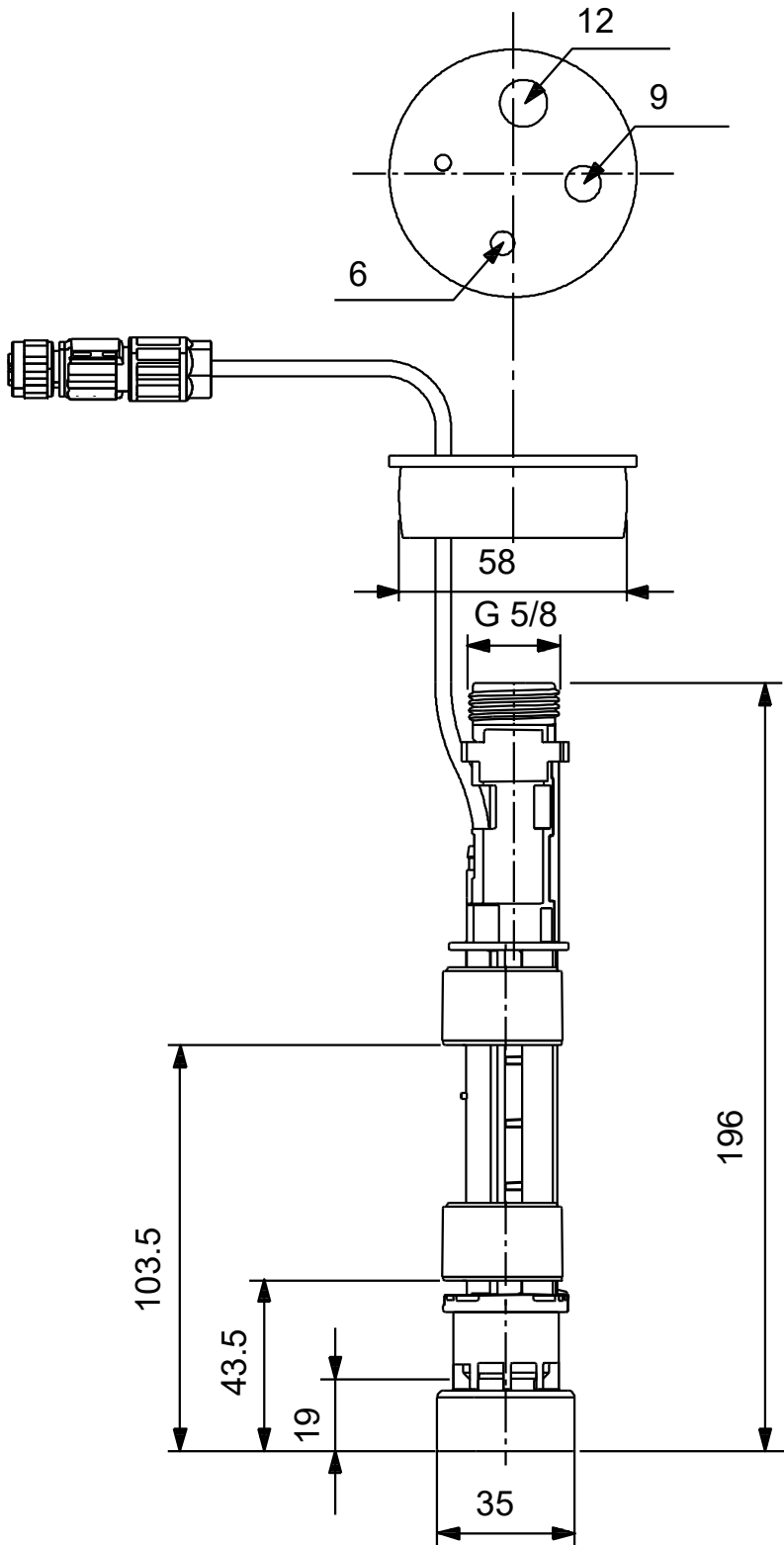


Qty.	Description																												
1	<p data-bbox="199 327 542 360">Foot valve 2L-G5/8 PV/T/C U2</p>  <p data-bbox="590 750 1061 772" style="text-align: center;">Note! Product picture may differ from actual product</p> <p data-bbox="199 779 470 813">Product No.: 98070969</p> <p data-bbox="199 813 997 902">Foot valves are installed at the lower end of the suction Hose and include weight, strainer (mesh size 0,8mm) and non-return valve Additionally they include</p> <ul style="list-style-type: none"> <li data-bbox="199 902 1316 936">-Reed-switch unit with two floaters for low level and empty indication (switch mode adjustable NO or NC) <li data-bbox="199 936 438 969">-Cable with PE jacket <li data-bbox="199 969 845 1003">-M 12 plug to connect DDA, DDC, DDE or DDI dosing pump <li data-bbox="199 1003 694 1048">-PE cap, d.58 mm, for assembly in Grundfos cylindrical tanks, or for use with tank adaptors. <p data-bbox="199 1108 319 1131">Technical:</p> <table data-bbox="199 1131 837 1198"> <tr> <td>Maximum flow:</td> <td>60 l/h</td> </tr> <tr> <td>Level indication:</td> <td>Low level and empty tank</td> </tr> </table> <p data-bbox="199 1227 319 1249">Materials:</p> <table data-bbox="199 1249 686 1489"> <tr> <td>Material:</td> <td>Plastic PVDF</td> </tr> <tr> <td>Valve ball:</td> <td>Ceramic Al2O3</td> </tr> <tr> <td>Gasket:</td> <td>Composite PTFE</td> </tr> <tr> <td>Cable jacket:</td> <td>Plastic PE</td> </tr> </table> <p data-bbox="199 1523 327 1545">Installation:</p> <table data-bbox="199 1545 774 1612"> <tr> <td>Type of connection:</td> <td>Connection pack</td> </tr> <tr> <td>Size of connection:</td> <td>4/6, 6/9, 6/12, 9/12</td> </tr> </table> <p data-bbox="199 1646 367 1668">Electrical data:</p> <table data-bbox="199 1668 646 1758"> <tr> <td>Length of cable:</td> <td>5 m</td> </tr> <tr> <td>Plug type:</td> <td>Round</td> </tr> <tr> <td>Plug size:</td> <td>M12</td> </tr> </table> <p data-bbox="199 1792 287 1814">Others:</p> <table data-bbox="199 1814 662 1904"> <tr> <td>Net weight:</td> <td>0.48 kg</td> </tr> <tr> <td>Gross weight:</td> <td>0.48 kg</td> </tr> <tr> <td>Shipping volume:</td> <td>0.005 m³</td> </tr> </table>	Maximum flow:	60 l/h	Level indication:	Low level and empty tank	Material:	Plastic PVDF	Valve ball:	Ceramic Al2O3	Gasket:	Composite PTFE	Cable jacket:	Plastic PE	Type of connection:	Connection pack	Size of connection:	4/6, 6/9, 6/12, 9/12	Length of cable:	5 m	Plug type:	Round	Plug size:	M12	Net weight:	0.48 kg	Gross weight:	0.48 kg	Shipping volume:	0.005 m ³
Maximum flow:	60 l/h																												
Level indication:	Low level and empty tank																												
Material:	Plastic PVDF																												
Valve ball:	Ceramic Al2O3																												
Gasket:	Composite PTFE																												
Cable jacket:	Plastic PE																												
Type of connection:	Connection pack																												
Size of connection:	4/6, 6/9, 6/12, 9/12																												
Length of cable:	5 m																												
Plug type:	Round																												
Plug size:	M12																												
Net weight:	0.48 kg																												
Gross weight:	0.48 kg																												
Shipping volume:	0.005 m ³																												

Description	Value
General information:	
Product name:	Foot valve 2L-G5/8 PV/T/C U2
Product No:	98070969
EAN number:	5710628437977
Price:	
Technical:	
Maximum flow:	60 l/h
Level indication:	Low level and empty tank
Materials:	
Material:	Plastic
Material:	PVDF
Valve ball:	Ceramic
Valve ball:	Al ₂ O ₃
Gasket:	Composite
Gasket:	PTFE
Cable jacket:	Plastic
Cable jacket:	PE
Installation:	
Type of connection:	Connection pack
Size of connection:	4/6, 6/9, 6/12, 9/12
Electrical data:	
Length of cable:	5 m
Plug type:	Round
Plug size:	M12
Others:	
Net weight:	0.48 kg
Gross weight:	0.48 kg
Shipping volume:	0.005 m ³



98070969 Foot valve 2L-G5/8 PV/T/C U2



Note! All units are in [mm] unless others are stated.
Disclaimer: This simplified dimensional drawing does not show all details.