

**Qty. Description**

1 Foot valve NL-G5/8 PE/T/C U2



Note! Product picture may differ from actual product

Product No.: [98070952](#)

Foot valves are installed at the lower end of the suction

Hose and include weight, strainer (mesh size 0,8mm) and non-return valve

Technical:

Maximum flow: 60 l/h  
Level indication: without

Materials:

Material: Plastic  
PE  
Valve ball: Ceramic  
Al<sub>2</sub>O<sub>3</sub>  
Gasket: Composite  
PTFE

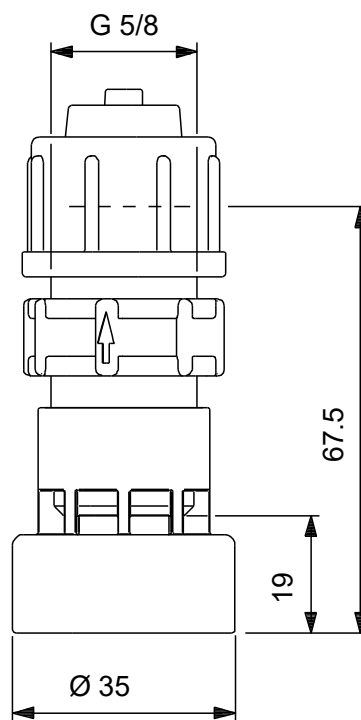
Installation:

Type of connection: Connection pack  
Size of connection: 4/6, 6/9, 6/12, 9/12

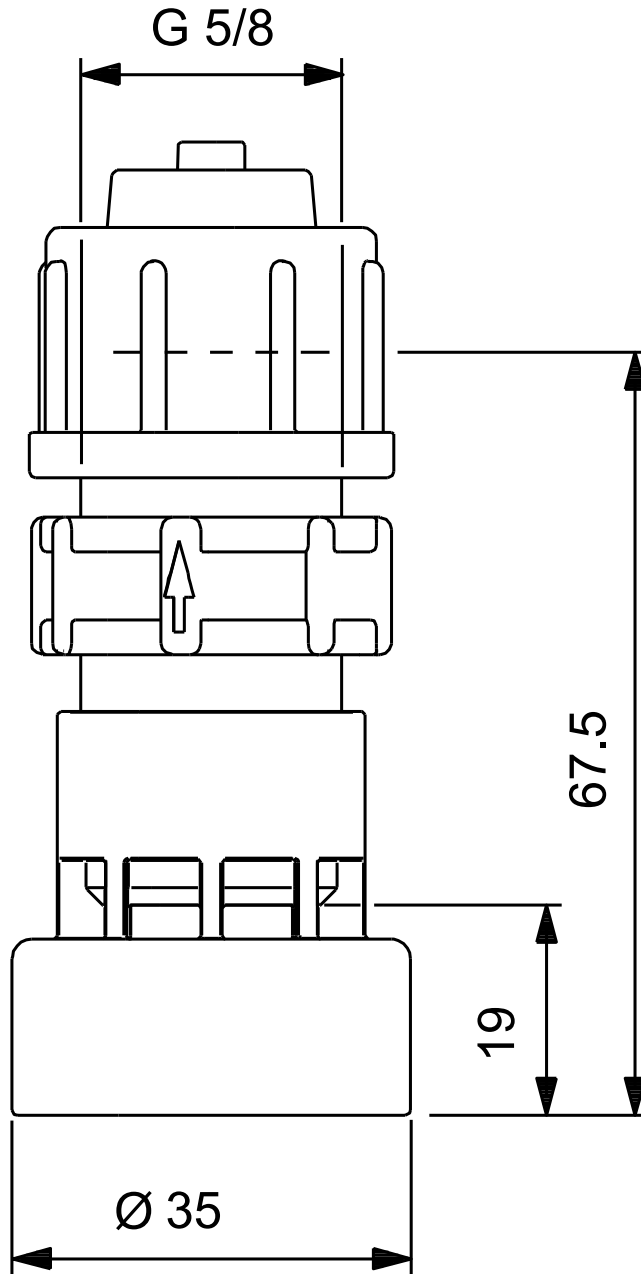
Others:

Net weight: 0.2 kg  
Gross weight: 0.2 kg  
Shipping volume: 0.002 m<sup>3</sup>

Description	Value
<b>General information:</b>	
Product name:	Foot valve NL-G5/8 PE/T/C U2
Product No:	98070952
EAN number:	5710628437700
Price:	
<b>Technical:</b>	
Maximum flow:	60 l/h
Level indication:	without
<b>Materials:</b>	
Material:	Plastic
Material:	PE
Valve ball:	Ceramic
Valve ball:	Al2O3
Gasket:	Composite
Gasket:	PTFE
<b>Installation:</b>	
Type of connection:	Connection pack
Size of connection:	4/6, 6/9, 6/12, 9/12
<b>Others:</b>	
Net weight:	0.2 kg
Gross weight:	0.2 kg
Shipping volume:	0.002 m <sup>3</sup>



**98070952 Foot valve NL-G5/8 PE/T/C U2**



Note! All units are in [mm] unless others are stated.  
Disclaimer: This simplified dimensional drawing does not show all details.