

**Qty. Description**

1 RPI/---0-10b/1/ C/M2.00-X/EG6/--/--/SC-1



Note! Product picture may differ from actual product

Product No.: [97748923](#)

The transmitter is made of 1.4404 stainless steel.

Liquid:

Liquid temperature range: -30 .. 120 °C

Technical:

Approvals: AS4020,CCSAUS,WRAS,KTW,ACS,EAC

Pressure differential functionality = Yes/No: N

Pressure relative functionality = Yes/No: Y

Flow functionality = Yes/No: N

Temperature functionality = Yes/No: N

Minimum measuring pressure: 0 bar

Maximum measuring pressure: 10 bar

Installation:

Range of ambient temperature: -25 .. 60 °C

Electrical data:

Enclosure class (IEC 34-5): IP67

Length of cable: 2 m

Minimum rated voltage dc: 12.50 V

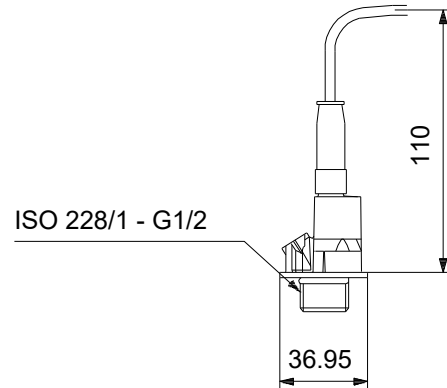
Maximum rated voltage dc: 30.00 V

Others:

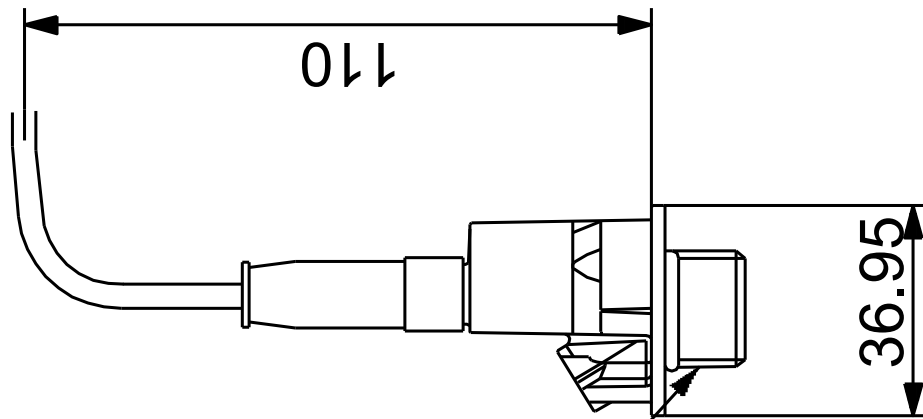
Country of origin: DK

Custom tariff no.: 9026209036

Description	Value
<b>General information:</b>	
Product name:	RPI/---0-10b/1/ C/M2.00-X/EG6/--/--/SC-1
Product No:	97748923
EAN number:	5710623704746
Price:	
<b>Technical:</b>	
Approvals:	AS4020,CCSAUS,WRAS,KTW,A CS,EAC
Pressure differential functionality = Yes/No:	N
Pressure relative functionality = Yes/No:	Y
Flow functionality = Yes/No:	N
Temperature functionality = Yes/No:	N
Minimum measuring pressure:	0 bar
Maximum measuring pressure:	10 bar
<b>Installation:</b>	
Range of ambient temperature:	-25 .. 60 °C
<b>Liquid:</b>	
Liquid temperature range:	-30 .. 120 °C
<b>Electrical data:</b>	
Enclosure class (IEC 34-5):	IP67
Length of cable:	2 m
Minimum rated voltage dc:	12.50 V
Maximum rated voltage dc:	30.00 V
<b>Others:</b>	
Country of origin:	DK
Custom tariff no.:	9026209036



**97748923 RPI/---0-10b/1/ C/M2.00-X/EG6/--/--/SC-1**



ISO 228/1 - G1/2

Note! All units are in [mm] unless others are stated.  
Disclaimer: This simplified dimensional drawing does not show all details.



Company name:

Created by:

Phone:

Date:

23/04/2021

---

**Order Data:**

Product name: RPI/---0-10b/1/

Amount: 1

Product No: 97748923

Price:

Total: Price on request

---