

**Qty. Description**

1 VFI/-1.3-25m/1/ C/M5.00-X/EG6/SG/30F/AC-1



Note! Product picture may differ from actual product

Product No.: [97686141](#)

The VFI is the industrial version (4-20 mA output) of the Grundfos vortex flow meter range.

The VFI is based on the principle of vortex shedding behind a bluff body.

The VFI has no moving parts and is built into a stainless steel pipe.

The rugged design allows the VFI to be used in a wide range of applications as a cost-effective and accurate flow transmitter.

Liquid:

Liquid temperature range: -30 .. 110 °C

Technical:

Approvals: KTW,ACS,EAC

Pressure differential functionality = Yes/No: N

Pressure relative functionality = Yes/No: N

Flow functionality = Yes/No: Y

Temperature functionality = Yes/No: N

Installation:

Range of ambient temperature: -25 .. 60 °C

Electrical data:

Enclosure class (IEC 34-5): IP67

Length of cable: 5 m

Minimum rated voltage dc: 12.50 V

Maximum rated voltage dc: 30.00 V

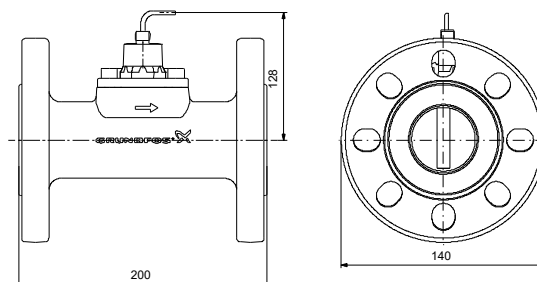
Others:

Finnish LVI No.: 4467307

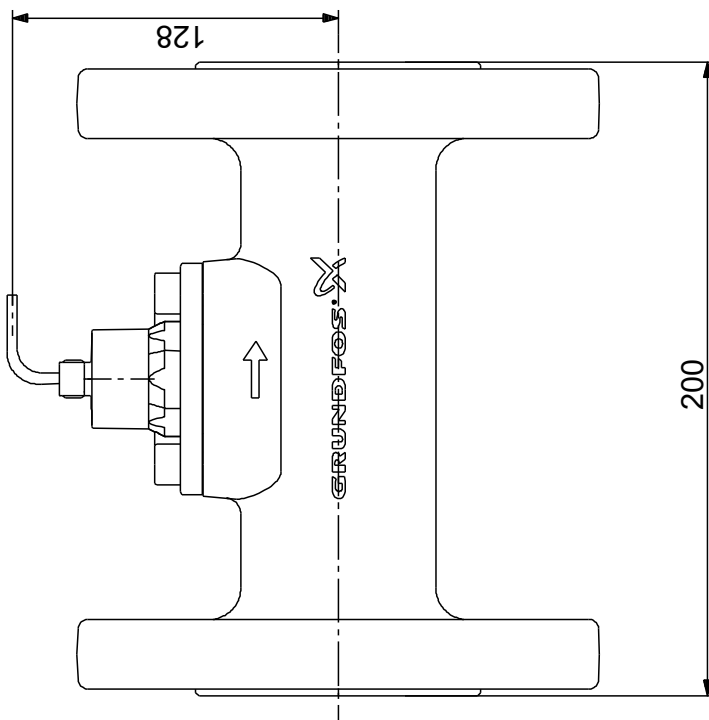
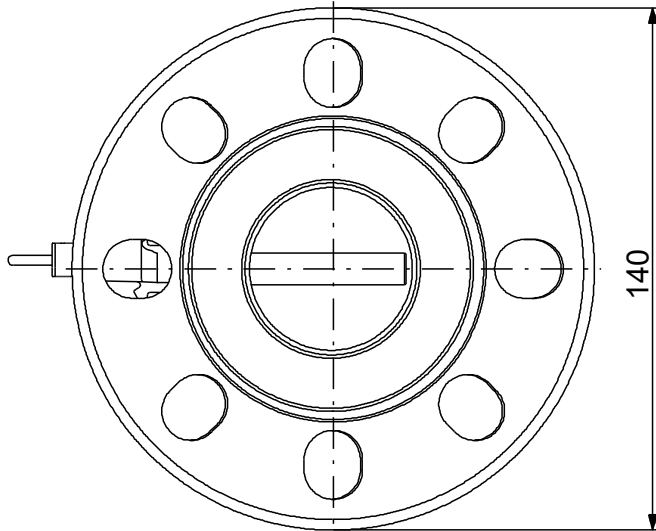
Country of origin: DK

Custom tariff no.: 9026109020

Description	Value
<b>General information:</b>	
Product name:	VFI/-1.3-25m/1/ C/M5.00-X/EG6/SG/30F/AC-1
Product No:	<a href="#">97686141</a>
EAN number:	5710621490115
Price:	
<b>Technical:</b>	
Approvals:	KTW,ACS,EAC
Pressure differential functionality = Yes/No:	N
Pressure relative functionality = Yes/No:	N
Flow functionality = Yes/No:	Y
Temperature functionality = Yes/No:	N
<b>Installation:</b>	
Range of ambient temperature:	-25 .. 60 °C
<b>Liquid:</b>	
Liquid temperature range:	-30 .. 110 °C
<b>Electrical data:</b>	
Enclosure class (IEC 34-5):	IP67
Length of cable:	5 m
Minimum rated voltage dc:	12.50 V
Maximum rated voltage dc:	30.00 V
<b>Others:</b>	
Finnish LVI No.:	4467307
Country of origin:	DK
Custom tariff no.:	9026109020



**97686141 VFI/-1.3-25m/1/ C/M5.00-X/EG6/SG/30F/AC-1**



Note! All units are in [mm] unless others are stated.  
Disclaimer: This simplified dimensional drawing does not show all details.



Company name:

Created by:

Phone:

Date:

23/04/2021

---

**Order Data:**

Product name: VFI/-1.3-25m/1/

Amount: 1

Product No: 97686141

Price:

Total: Price on request

---