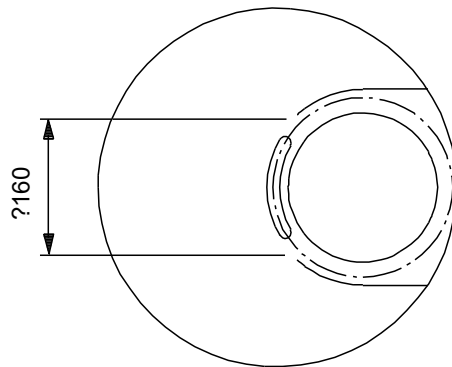
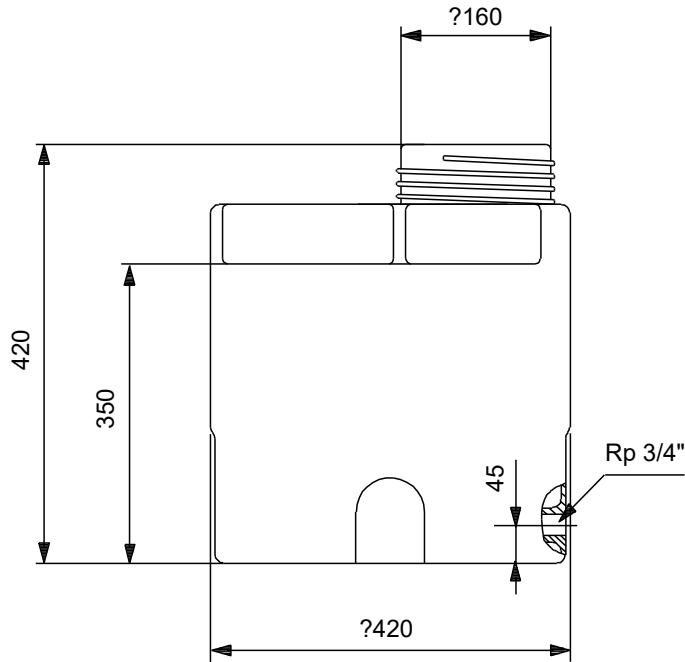


| Qty. | Description   |
|------|---|
| 1    | <p><b>Tank 40l, PE-transp.</b><br/>           Product No.: <a href="#">96688081</a><br/>           Cylindrical tanks are available transparent or black.<br/>           They have a litre scale and a black screw cap.<br/>           • Tank material: LLDPE, UV-stabilised<br/>           • Liquid temperature: -20 °C to +45 °C.<br/>           All cylindrical tanks are prepared for a G 3/4 opening for a drain valve, and have a screw plug (PE/EPDM).<br/>           The cylindrical tanks with volumes of 60, 100, 200, 300 and 500 litres include additionally:<br/>           • Threaded M 6 inserts for the assembly of a SMART Digital, a DDI, or a DMX model 221 dosing pump.<br/>           For other pumps, please use a console.<br/>           • A G 2 opening for a suction lance or a foot valve, closed with a screw plug<br/>           • A flange for an electric mixer with threaded inserts<br/>           • Threaded M 6 inserts at the bottom part for floor mounting with a set of floor-mounting brackets</p> <p>Materials:<br/>           Colour: Transparent</p> <p>Tank:<br/>           Total volume of tank(s): 40 l</p> <p>Others:<br/>           Country of origin: DE<br/>           Custom tariff no.: 3923300053</p> |

## 96688081 Tank 40l, PE-transp.



Note! All units are in [mm] unless others are stated.  
Disclaimer: This simplified dimensional drawing does not show all details.