


Qty.	Description
1	<p data-bbox="199 338 475 365">GT-U-200 PN16 G11/4 V</p> <div data-bbox="327 409 459 616" style="text-align: center;">  </div> <p data-bbox="199 658 466 685">Product No.: 96603413</p> <p data-bbox="199 719 1445 815">Liquid max temp: Grundfos GT-U-200 PN16 G11/4 V is a Bladder pressure tank, with a capacity of 200.0 l and Vertical installation. The tanks are approved for drinking water. The GT-U-200 PN16 G11/4 V is designed for a maximum operation pressure of 16 bar and a maximum liquid temperature of 70 °C.</p> <p data-bbox="199 860 1453 911">Product name: The tank is a steel pressure tank with a replaceable, non-toxic butyl rubber bladder enclosed by compressed nitrogen.</p> <p data-bbox="199 1039 1458 1090">The diaphragm is a chlorine-resistant 100 % butyl diaphragm with a precision-moulded copolymer polypropylene liner for superior air and water separation.</p> <p data-bbox="199 1097 1445 1178">The tank has a FlowThru connection, which constantly flushes the tank while the pump is running. This ensures that the water in the tank remains fresh and eliminates the risk of stagnant water during normal system operation.</p> <p data-bbox="199 1245 1458 1296">The diaphragm is a chlorine-resistant 100 % butyl diaphragm with a precision-moulded copolymer polypropylene liner for superior air and water separation.</p> <p data-bbox="199 1303 1445 1384">The tank has a FlowThru connection, which constantly flushes the tank while the pump is running. This ensures that the water in the tank remains fresh and eliminates the risk of stagnant water during normal system operation.</p> <p data-bbox="199 1420 1294 1538">The tanks have a non-replaceable diaphragm that is pre-charged with nitrogen (1.5 bar). The tanks have a non-toxic butyl rubber diaphragm, dividing the tank chamber into two compartments. The upper compartment contains compressed nitrogen. The lower compartment has a liner of polypropylene (PP) and is filled with water from the pump.</p> <p data-bbox="199 1568 1437 1619">A pressure tank ensures controlled pressure in the water supply and thereby limits the switching frequency of the pump in case of low water consumption or leakage loss.</p> <p data-bbox="199 1626 1437 1700">The result is increased comfort in your installation by limiting the start/stop frequency of your pump, and it increases system comfort by compensating for pressure drops when a tap is opened, while reducing problems with water hammer in the pipework.</p> <p data-bbox="199 1771 628 1827">Liquid: Maximum liquid temperature: 70 °C</p> <p data-bbox="199 1861 651 1944">Technical: Membrane type: Bladder Maximum used volume: 150 l</p> <p data-bbox="199 1980 703 2036">Materials: Basic: Carbon steel</p> <p data-bbox="199 2069 327 2096">Installation:</p>



Company name:

Created by:

Phone:

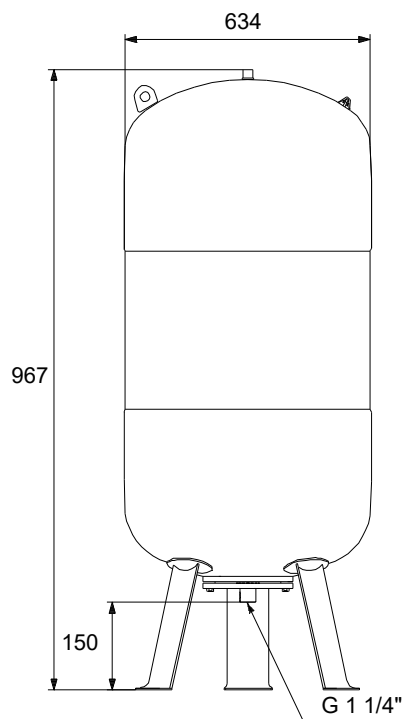
Date:

22/04/2021

Qty.	Description
------	-------------

	Maximum operating pressure: 16 bar
	Type of connection: G
	Size of connection: 1 1/4 inch
	Size: 200.0
	Others:
	Net weight: 57 kg
	Gross weight: 69 kg
	Applicat. typ: Standard
	Country of origin: DE
	Custom tariff no.: 73101000080803685

Description	Value
General information:	
Product name:	GT-U-200 PN16 G11/4 V
Product No:	96603413
EAN number:	5700832103546
Price:	
Technical:	
Membrane type:	Bladder
Maximum used volume:	150 l
Materials:	
Basic:	Carbon steel
Installation:	
Maximum operating pressure:	16 bar
Pre-pressure:	4 bar
Type of connection:	G
Size of connection:	1 1/4 inch
Installation:	Vertical
Size:	200.0
Liquid:	
Maximum liquid temperature:	70 °C
Others:	
Net weight:	57 kg
Gross weight:	69 kg
Applicat. typ:	Standard
Country of origin:	DE
Custom tariff no.:	73101000080803685





Company name:

Created by:

Phone:

Date:

22/04/2021

Order Data:

Product name: GT-U-200 PN16 G11/4 V

Amount: 1

Product No: 96603413

Price:

Total: Price on request

(TM077866 Tanks)

