

Qty. Description

1 CRN 1-7 A-CA-A-V-HQQV



Note! Product picture may differ from actual product

Product No.: [96557474](#)

Vertical, non-self-priming, multistage, in-line, centrifugal pump for installation in pipe systems and mounting on a foundation.

The pump has the following characteristics:

- Impellers, intermediate chambers and outer sleeve are made of Stainless steel, EN 1.4401.
- Pump head cover and base are made of Stainless steel, EN 1.4408.
- The shaft seal has assembly length according to EN 12756.
- Power transmission is via cast iron split

Qty.	Description
	<p>coupling. - Pipework connection is via FlexiClamp flanges/couplings.</p> <p>The motor is a 1-phase AC motor.</p> <p>Controls: Frequency converter:                 NONE</p> <p>Liquid: Pumped liquid:                         Water Liquid temperature range:         -20 .. 90 °C Selected liquid temperature:       20 °C Density:                                 998.2 kg/m<sup>3</sup></p> <p>Technical: Pump speed on which pump data are based:   2757 rpm Rated flow:                             1.8 m<sup>3</sup>/h Rated head:                             31.6 m Pump orientation:                     Vertical Shaft seal arrangement:             Single Code for shaft seal:                 HQQV Approvals:                             CE,EAC,UKCA Approvals for drinking water:       WRAS Curve tolerance:                     ISO9906:2012 3B</p> <p>Materials: Base:                                     Stainless steel   EN 1.4408   AISI 316 Impeller:                               Stainless steel   EN 1.4401   AISI 316 Bearing:                                SIC</p> <p>Installation: t max amb:                             40 °C Maximum operating pressure:       25 bar Max pressure at stated temp:       25 bar / 90 °C   25 bar / -20 °C</p> <p>Type of connection:                 FlexiClamp Size of inlet connection:            DN 32 Size of outlet connection:          DN 32 Pressure rating for connection:    PN 25 Flange size for motor:               FT85</p> <p>Electrical data: Motor standard:                     IEC Motor type:                            71B Rated power - P2:                    0.37 kW Power (P2) required by pump:       0.37 kW Mains frequency:                    50 Hz Rated voltage:                        1 x 220-230/240 V Rated current:                        2.95/2.70 A Starting current:                     280 % Cos phi - power factor:             0.99 Rated speed:                         2770 rpm Motor efficiency at full load:       60.0-56.0 % Number of poles:                     2</p>



Company name:

Created by:

Phone:

Date:

10/8/2021

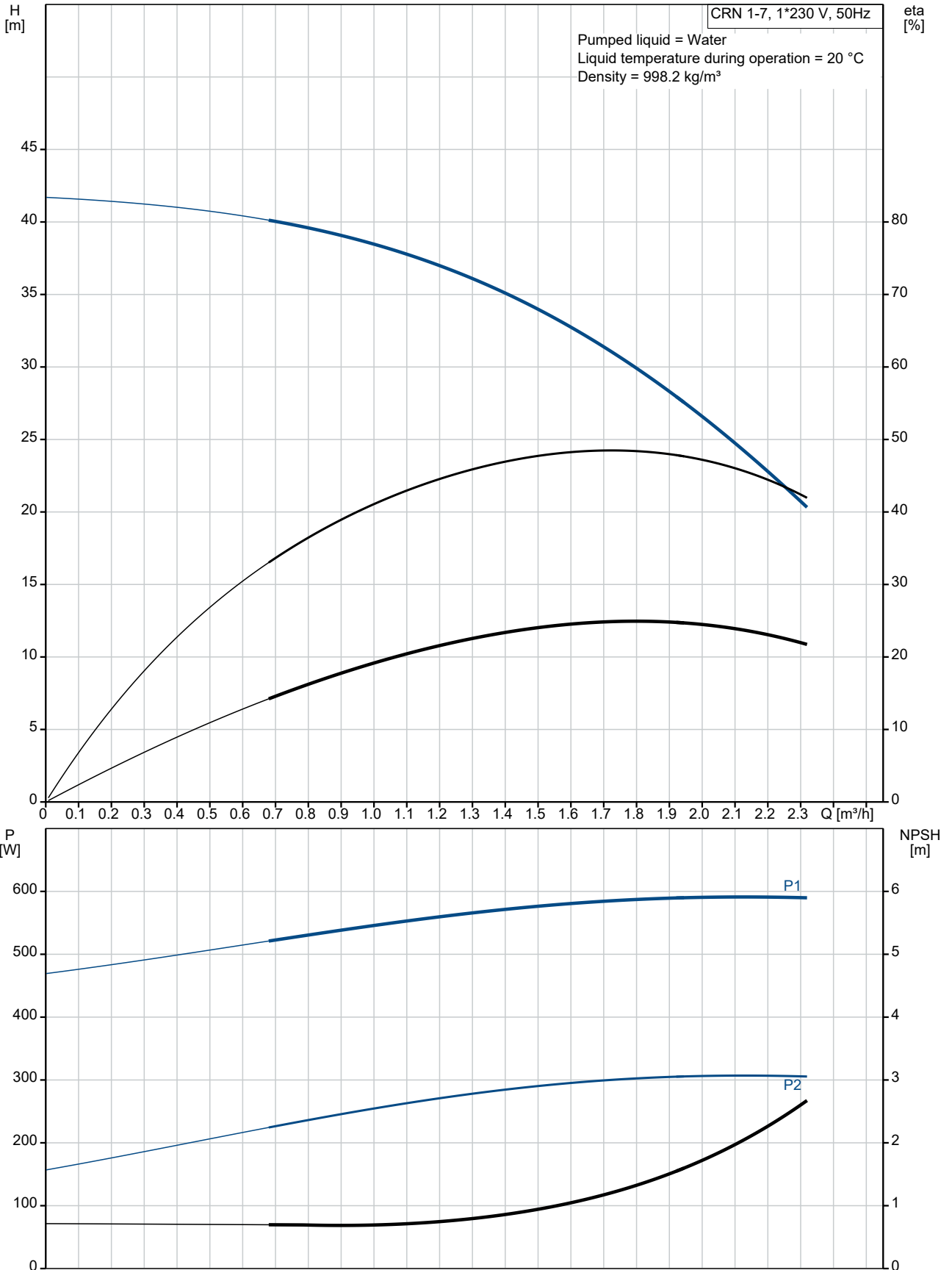
Qty.	Description
------	-------------

	Enclosure class (IEC 34-5): 55 Dust/Jetting
	Insulation class (IEC 85): F
	Motor No: 85215102

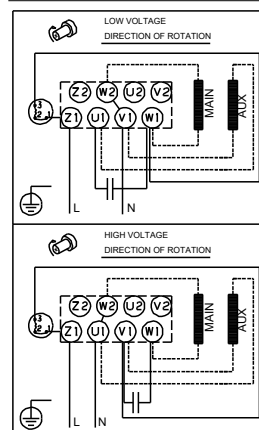
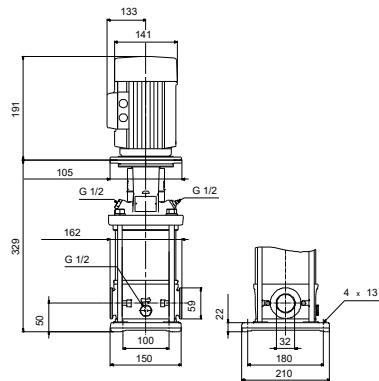
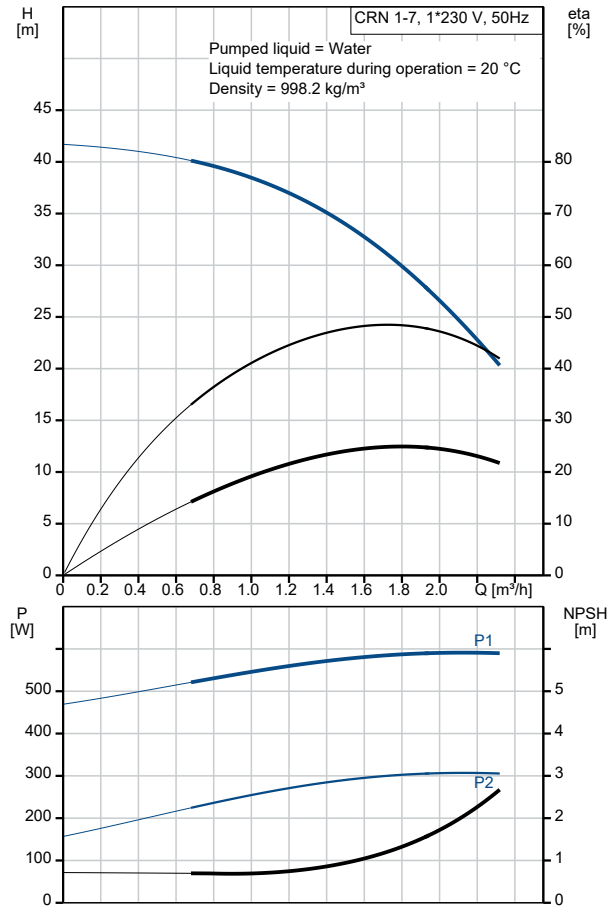
Others:

	Minimum efficiency index, MEI $\geq$ : 0.70
	Net weight: 19 kg
	Gross weight: 21.8 kg
	Shipping volume: 0.063 m <sup>3</sup>
	Country of origin: AU
	Custom tariff no.: 8413709062

## 96557474 CRN 1-7 A-CA-A-V-HQQV 50 Hz



Description	Value
<b>General information:</b>	
Product name:	CRN 1-7 A-CA-A-V-HQQV
Product No:	96557474
EAN number:	5700399082636
Price:	
<b>Technical:</b>	
Pump speed on which pump data are based:	2757 rpm
Rated flow:	1.8 m <sup>3</sup> /h
Rated head:	31.6 m
Maximum head:	42.8 m
Stages:	7
Impellers:	7
Number of reduced-diameter impellers:	0
Low NPSH:	N
Pump orientation:	Vertical
Shaft seal arrangement:	Single
Code for shaft seal:	HQQV
Approvals:	CE,EAC,UKCA
Approvals for drinking water:	WRAS
Curve tolerance:	ISO9906:2012 3B
Pump version:	A
Model:	A
<b>Materials:</b>	
Base:	Stainless steel
Base:	EN 1.4408
Base:	AISI 316
Impeller:	Stainless steel
Impeller:	EN 1.4401
Impeller:	AISI 316
Material code:	A
Code for rubber:	V
Bearing:	SIC
<b>Installation:</b>	
t max amb:	40 °C
Maximum operating pressure:	25 bar
Max pressure at stated temp:	25 bar / 90 °C
Max pressure at stated temp:	25 bar / -20 °C
Type of connection:	FlexiClamp
Size of inlet connection:	DN 32
Size of outlet connection:	DN 32
Pressure rating for connection:	PN 25
Flange size for motor:	FT85
Connect code:	CA
<b>Liquid:</b>	
Pumped liquid:	Water
Liquid temperature range:	-20 .. 90 °C
Selected liquid temperature:	20 °C
Density:	998.2 kg/m <sup>3</sup>
<b>Electrical data:</b>	
Motor standard:	IEC
Motor type:	71B
Rated power - P2:	0.37 kW
Power (P2) required by pump:	0.37 kW
Mains frequency:	50 Hz
Rated voltage:	1 x 220-230/240 V
Rated current:	2.95/2.70 A
Starting current:	280 %





Company name:

Created by:

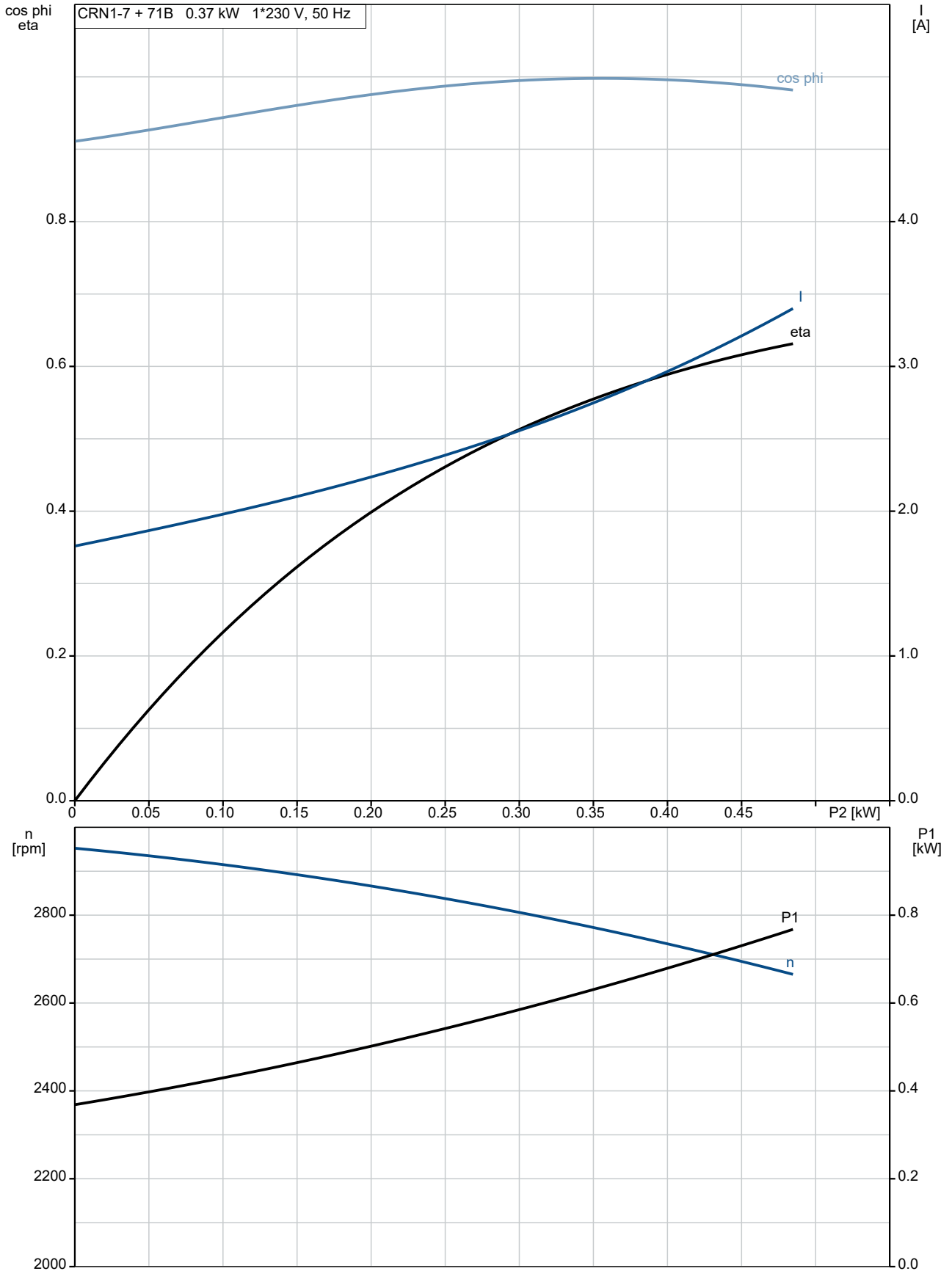
Phone:

Date:

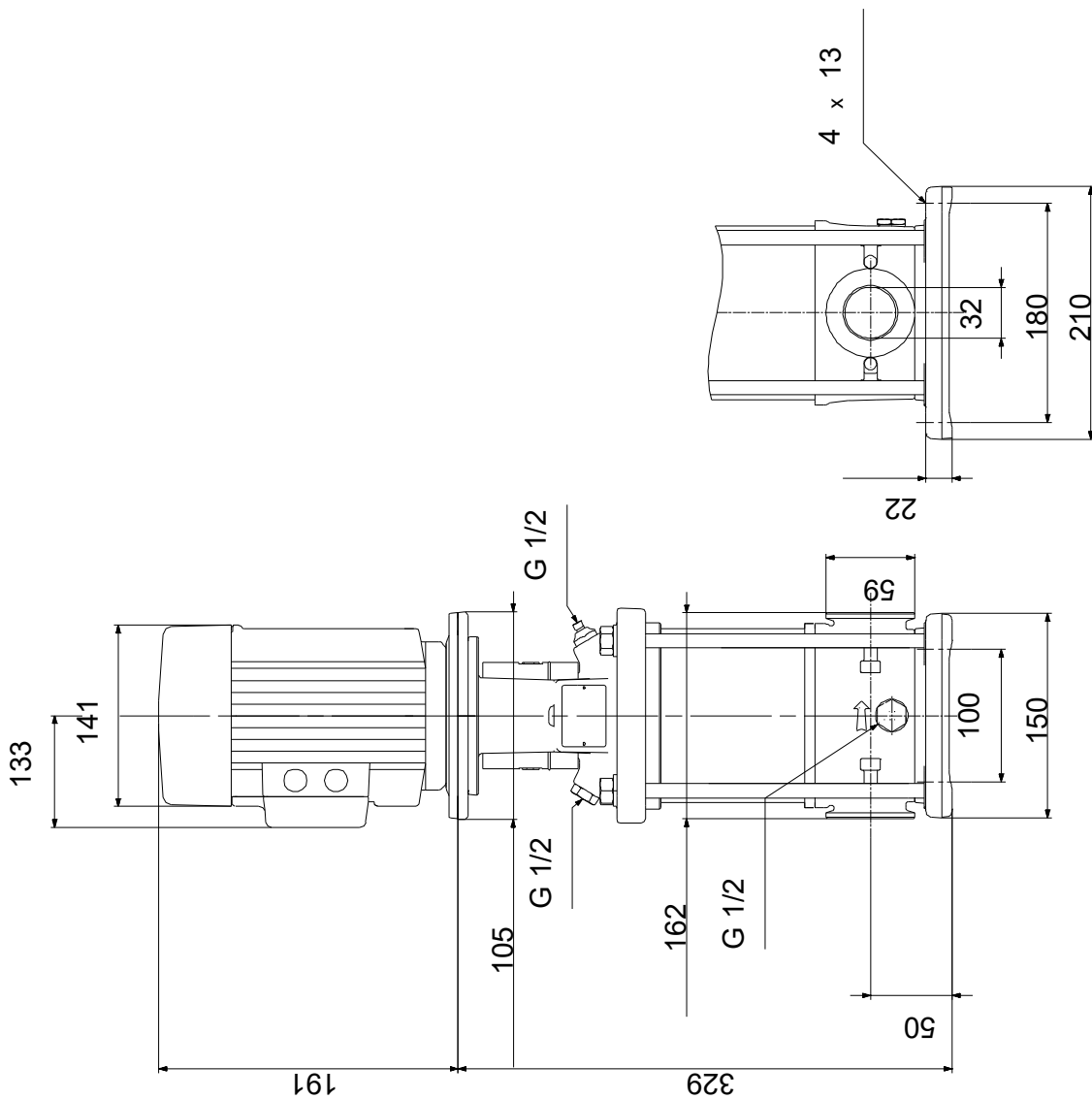
10/8/2021

Description	Value
Cos phi - power factor:	0.99
Rated speed:	2770 rpm
Motor efficiency at full load:	60.0-56.0 %
Number of poles:	2
Enclosure class (IEC 34-5):	55 Dust/Jetting
Insulation class (IEC 85):	F
Built-in motor protection:	PTO
Motor No:	85215102
<b>Controls:</b>	
Frequency converter:	NONE
<b>Others:</b>	
Minimum efficiency index, MEI ≥:	0.70
Net weight:	19 kg
Gross weight:	21.8 kg
Shipping volume:	0.063 m <sup>3</sup>
Country of origin:	AU
Custom tariff no.:	8413709062

## 96557474 CRN 1-7 A-CA-A-V-HQQV 50 Hz



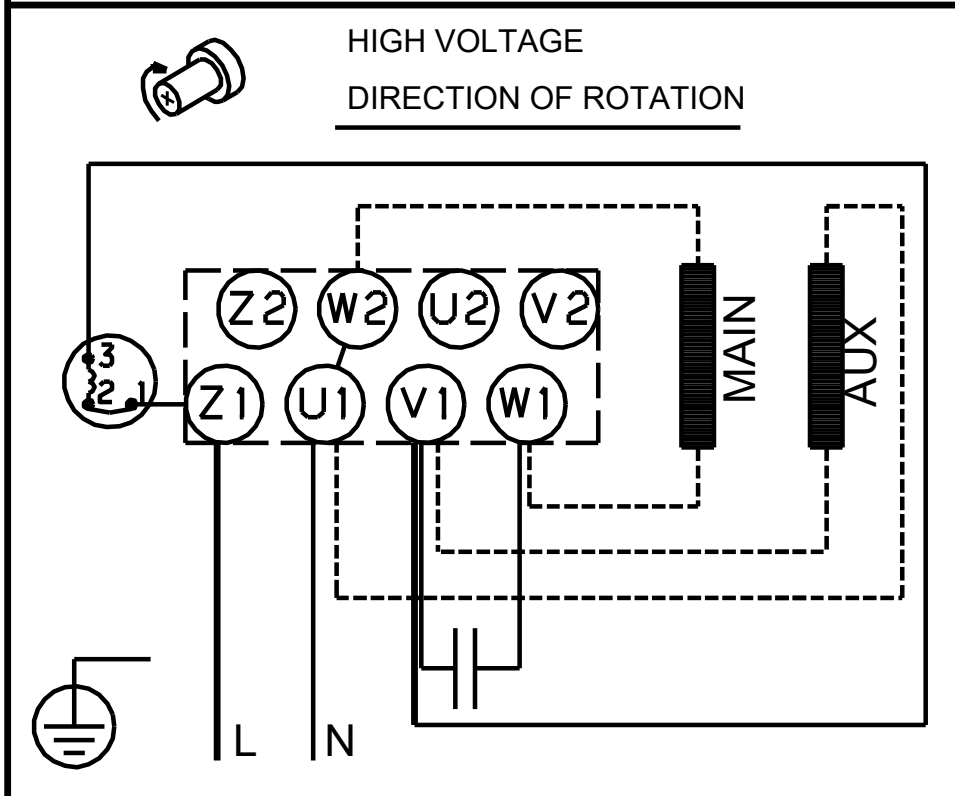
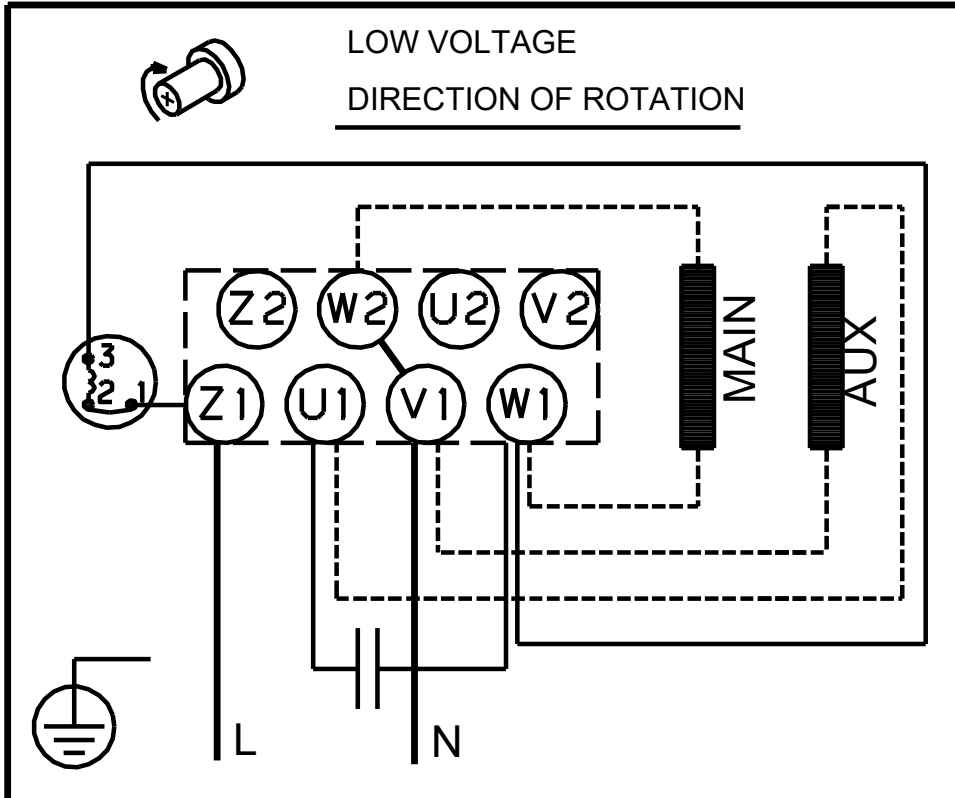
**96557474 CRN 1-7 A-CA-A-V-HQQV 50 Hz**



Note! All units are in [mm] unless others are stated.  
Disclaimer: This simplified dimensional drawing does not show all details.



## 96557474 CRN 1-7 A-CA-A-V-HQQV 50 Hz



Note! All units are in [mm] unless others are stated.



Company name:

Created by:

Phone:

Date:

10/8/2021

---

**Order Data:**

Product name: CRN 1-7

Amount: 1

Product No: 96557474

Price:

Total: Price on request

---