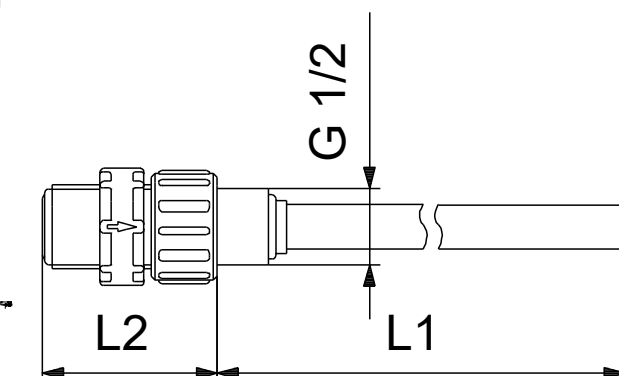
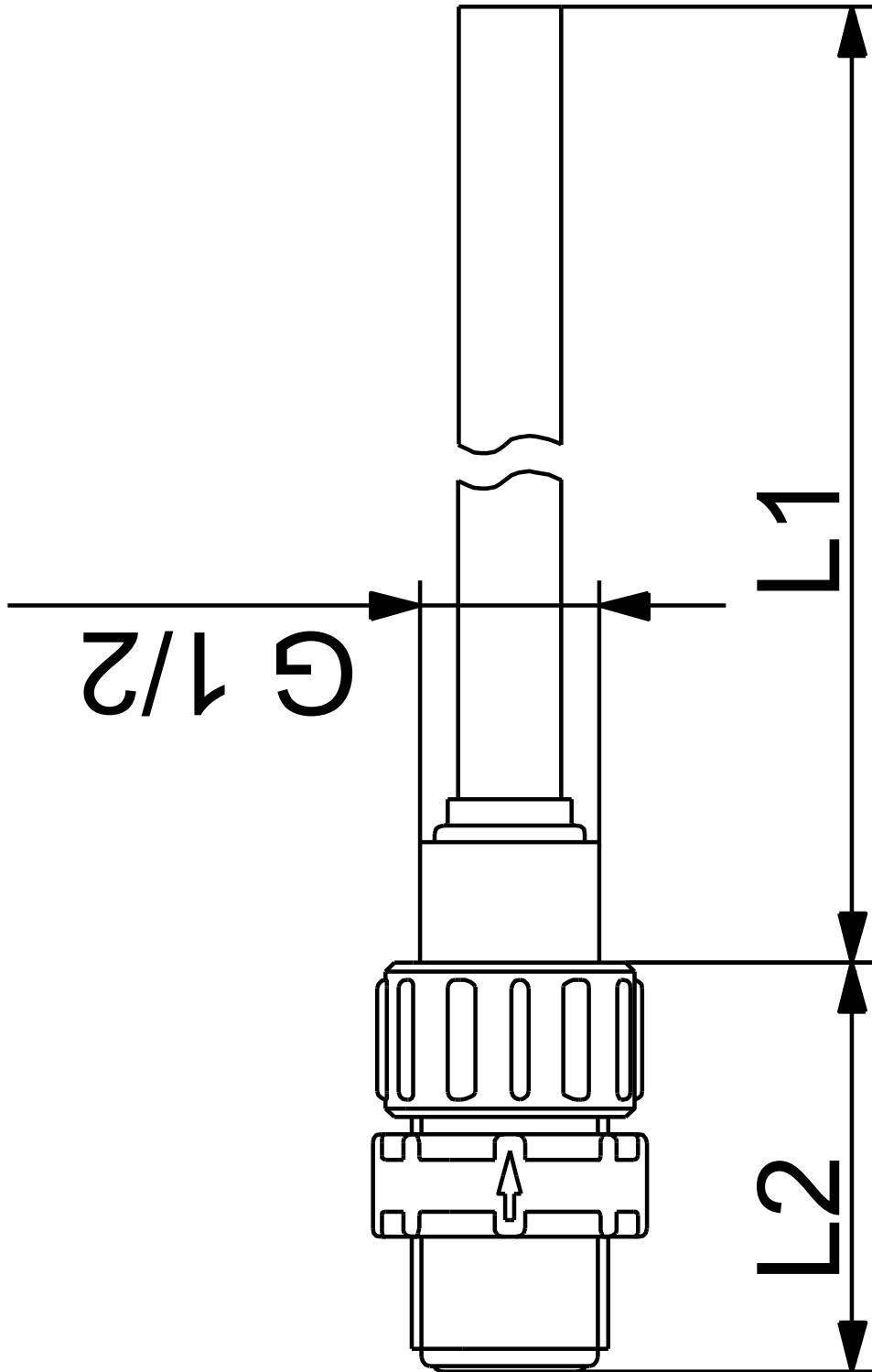


Qty.	Description																		
1	<p data-bbox="197 338 357 371">Injection unit</p> <p data-bbox="197 371 469 405">Product No.: 95730932</p> <p data-bbox="197 405 1474 539">Injection units connect the dosing line with the process line. They ensure a minimum counterpressure of 0.7 bar, and avoid backflow of the dosing liquid. The spring-loaded non-return valve comes with Tantal spring. The injection pipe of PP, PVC and PVDF versions can be shortened.</p> <p data-bbox="197 607 325 640">Technical:</p> <table data-bbox="197 640 751 696"><tr><td data-bbox="197 640 549 663">Pump connection:</td><td data-bbox="564 640 628 663">G5/8</td></tr><tr><td data-bbox="197 663 293 685">Version:</td><td data-bbox="564 663 751 685">Standard version</td></tr></table> <p data-bbox="197 730 309 752">Materials:</p> <table data-bbox="197 752 660 842"><tr><td data-bbox="197 752 293 775">Housing:</td><td data-bbox="564 752 628 775">PVDF</td></tr><tr><td data-bbox="197 775 309 797">Valve ball:</td><td data-bbox="564 775 660 797">Ceramic</td></tr><tr><td data-bbox="197 797 293 819">Gasket:</td><td data-bbox="564 797 628 819">PTFE</td></tr></table> <p data-bbox="197 875 325 898">Installation:</p> <table data-bbox="197 898 772 987"><tr><td data-bbox="197 898 533 920">Maximum operating pressure:</td><td data-bbox="564 898 628 920">16 bar</td></tr><tr><td data-bbox="197 920 437 943">Pipework connection:</td><td data-bbox="564 920 772 943">4/6, 6/9, 6/12, 9/12</td></tr><tr><td data-bbox="197 943 373 965">Outlet connect:</td><td data-bbox="564 943 628 965">G1/2"</td></tr></table> <p data-bbox="197 1021 277 1043">Others:</p> <table data-bbox="197 1043 708 1077"><tr><td data-bbox="197 1043 341 1066">Applicat. typ:</td><td data-bbox="564 1043 708 1066">General use</td></tr></table>	Pump connection:	G5/8	Version:	Standard version	Housing:	PVDF	Valve ball:	Ceramic	Gasket:	PTFE	Maximum operating pressure:	16 bar	Pipework connection:	4/6, 6/9, 6/12, 9/12	Outlet connect:	G1/2"	Applicat. typ:	General use
Pump connection:	G5/8																		
Version:	Standard version																		
Housing:	PVDF																		
Valve ball:	Ceramic																		
Gasket:	PTFE																		
Maximum operating pressure:	16 bar																		
Pipework connection:	4/6, 6/9, 6/12, 9/12																		
Outlet connect:	G1/2"																		
Applicat. typ:	General use																		

Description	Value
General information:	
Product name:	Injection unit
Product No:	95730932
EAN number:	5710626523788
Price:	
Technical:	
Max. capacity:	60 l/h
Pump connection:	G5/8
Version:	Standard version
Materials:	
Housing:	PVDF
Valve ball:	Ceramic
Gasket:	PTFE
Installation:	
Maximum operating pressure:	16 bar
Opening pressure:	0.8 bar
Pipework connection:	4/6, 6/9, 6/12, 9/12
Outlet connect:	G1/2"
Others:	
Applicat. typ:	General use



95730932 Injection unit



Note! All units are in [mm] unless others are stated.
Disclaimer: This simplified dimensional drawing does not show all details.