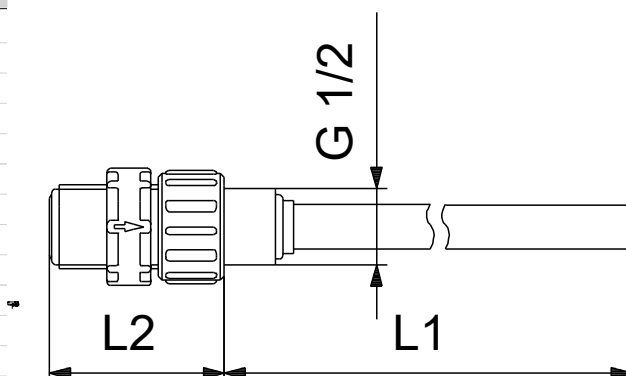
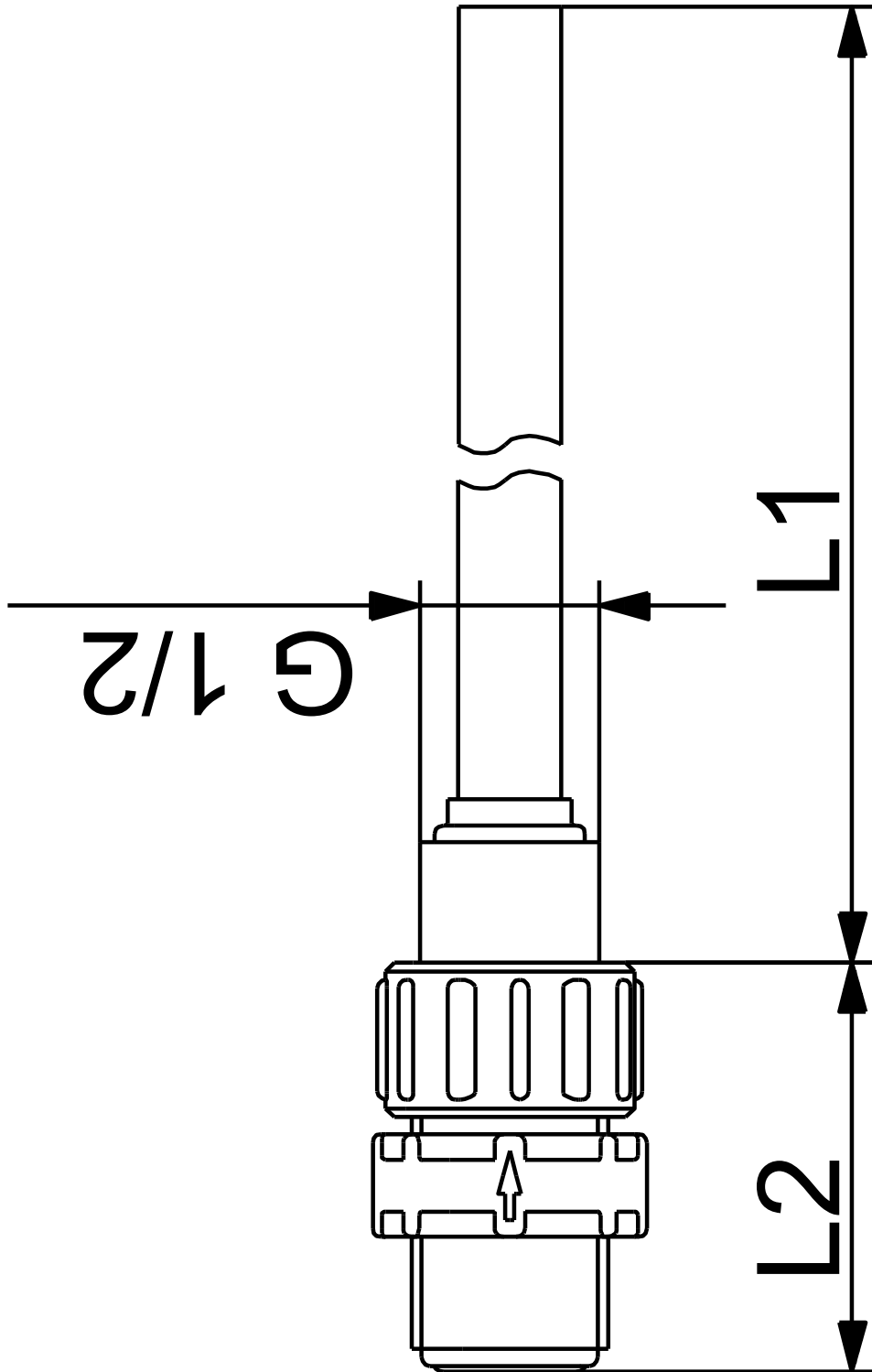


Qty.	Description																		
1	<p data-bbox="201 338 355 365">Injection unit</p> <p data-bbox="201 369 464 396">Product No.: 95730920</p> <p data-bbox="201 400 786 486">Injection units connect the dosing line with the process line. They ensure a minimum counterpressure of 0.7 bar, and avoid backflow of the dosing liquid.</p> <p data-bbox="201 490 1445 535">The spring-loaded non-return valve comes with Tantal spring. The injection pipe of PP, PVC and PVDF versions can be shortened.</p> <p data-bbox="201 607 312 629">Technical:</p> <table data-bbox="201 633 751 689"><tr><td data-bbox="201 633 395 660">Pump connection:</td><td data-bbox="568 633 619 660">G5/8</td></tr><tr><td data-bbox="201 665 288 687">Version:</td><td data-bbox="568 665 751 687">Standard version</td></tr></table> <p data-bbox="201 725 308 748">Materials:</p> <table data-bbox="201 752 659 837"><tr><td data-bbox="201 752 300 779">Housing:</td><td data-bbox="568 752 619 775">PVC</td></tr><tr><td data-bbox="201 784 316 806">Valve ball:</td><td data-bbox="568 784 659 806">Ceramic</td></tr><tr><td data-bbox="201 810 288 833">Gasket:</td><td data-bbox="568 810 628 833">PTFE</td></tr></table> <p data-bbox="201 873 325 896">Installation:</p> <table data-bbox="201 900 767 985"><tr><td data-bbox="201 900 523 927">Maximum operating pressure:</td><td data-bbox="568 900 635 922">16 bar</td></tr><tr><td data-bbox="201 931 432 954">Pipework connection:</td><td data-bbox="568 931 767 954">4/6, 6/9, 6/12, 9/12</td></tr><tr><td data-bbox="201 958 363 981">Outlet connect:</td><td data-bbox="568 958 628 981">G1/2"</td></tr></table> <p data-bbox="201 1021 284 1043">Others:</p> <table data-bbox="201 1048 699 1077"><tr><td data-bbox="201 1048 341 1077">Applicat. typ:</td><td data-bbox="568 1048 699 1077">General use</td></tr></table>	Pump connection:	G5/8	Version:	Standard version	Housing:	PVC	Valve ball:	Ceramic	Gasket:	PTFE	Maximum operating pressure:	16 bar	Pipework connection:	4/6, 6/9, 6/12, 9/12	Outlet connect:	G1/2"	Applicat. typ:	General use
Pump connection:	G5/8																		
Version:	Standard version																		
Housing:	PVC																		
Valve ball:	Ceramic																		
Gasket:	PTFE																		
Maximum operating pressure:	16 bar																		
Pipework connection:	4/6, 6/9, 6/12, 9/12																		
Outlet connect:	G1/2"																		
Applicat. typ:	General use																		

Description	Value
General information:	
Product name:	Injection unit
Product No:	95730920
EAN number:	5710626523665
Price:	
Technical:	
Max. capacity:	60 l/h
Pump connection:	G5/8
Version:	Standard version
Materials:	
Housing:	PVC
Valve ball:	Ceramic
Gasket:	PTFE
Installation:	
Maximum operating pressure:	16 bar
Opening pressure:	0.8 bar
Pipework connection:	4/6, 6/9, 6/12, 9/12
Outlet connect:	G1/2"
Others:	
Applicat. typ:	General use



95730920 Injection unit



Note! All units are in [mm] unless others are stated.
Disclaimer: This simplified dimensional drawing does not show all details.