



Company name:

Created by:

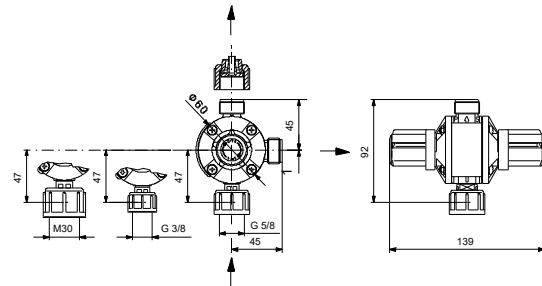
Phone:

Date:

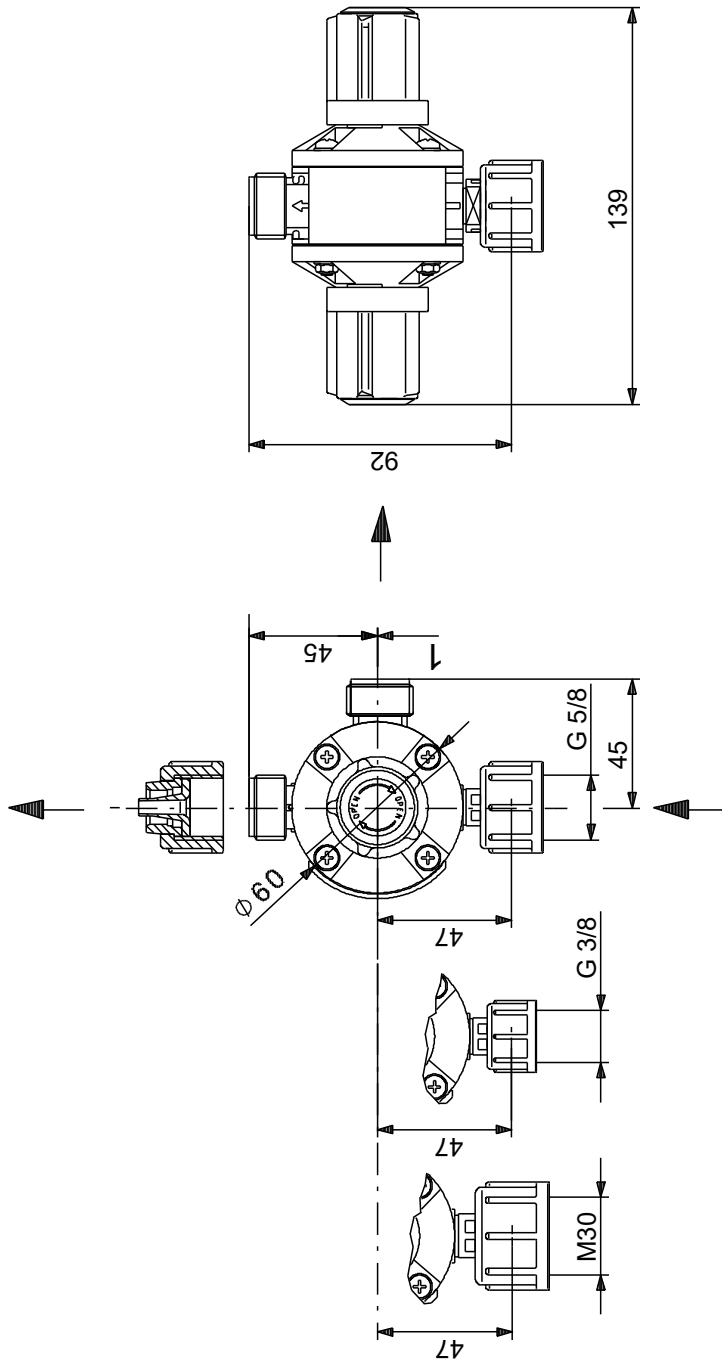
27/05/2021

Qty.	Description
1	<p data-bbox="197 338 1476 371">Multifunction valve</p> <p data-bbox="197 371 1476 405">Product No.: 95730812</p> <p data-bbox="197 405 1476 439">Compact valve unit for direct mounting on the pump discharge connection.</p> <p data-bbox="197 461 1476 495">Multifunction valves combine four functions:</p> <ol data-bbox="197 495 1476 607" style="list-style-type: none">1. Constant counter-pressure and anti-siphoning2. Pump protection through pressure relief3. Deaeration of pump head during start up4. Emptying of discharge line <p data-bbox="197 663 1476 696">Technical:</p> <p data-bbox="197 696 1476 730">Pump connection: G5/8"</p> <p data-bbox="197 752 1476 786">Materials:</p> <p data-bbox="197 786 1476 819">Housing: PVDF</p> <p data-bbox="197 819 1476 853">Gasket: PTFE</p> <p data-bbox="197 853 1476 887">Connection mat.: PVDF</p> <p data-bbox="197 909 1476 943">Installation:</p> <p data-bbox="197 943 1476 976">Pipework connection: 4/6, 6/9, 6/12, 9/12</p> <p data-bbox="197 976 1476 1010">Relief pressure: 10 bar</p>

Description	Value
General information:	
Product name:	Multifunction valve
Product No:	95730812
EAN number:	5710626525683
Price:	
Technical:	
Pump connection:	G5/8"
Materials:	
Housing:	PVDF
Gasket:	PTFE
Connection mat.:	PVDF
Installation:	
Opening pressur:	3 bar
Pipework connection:	4/6, 6/9, 6/12, 9/12
Relief pressure:	10 bar
Others:	
Designed for:	DDA,DDC,DDE,DDI up to 60 l/h



95730812 Multifunction valve



Note! All units are in [mm] unless others are stated.
Disclaimer: This simplified dimensional drawing does not show all details.