

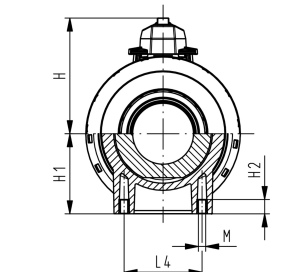
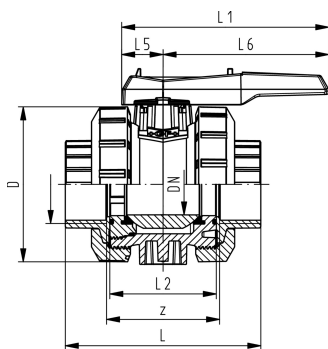
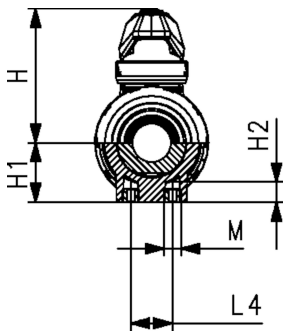
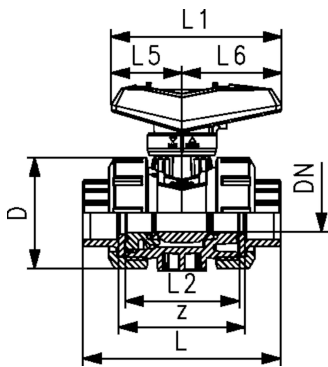
Ball valve type 546 Pro PVC-U
With solvent cement sockets Inch ASTM/Inclusive 2 threaded valve ends NPT

Model:

- Lockable lever as standard (DN10-DN50)
- For easy installation and removal
- Ball seals PTFE
- Integrated stainless steel mounting inserts
- Threaded valve ends are only enclosed and reduce Pressure Rating to PN10 for DN10/15-50
- Threaded valve ends are only enclosed for DN10/15-50
- Z-dimension, valve end and union nut **are compatible** with type 546 (1st Generation)

Option:

- Interface-module with position feedback sensor, incl. LED feedback (DN10-50)
- Manual spring return lever ("Dead man") (DN10-25)
- Pneumatic or electric actuators from GF
- Individual configuration of the valve possible
- Multifunctional module with integrated limit switches (DN65-100)



| d (mm) | DN (mm) | Size (inch) | PN (bar) | kv-value (Δp=1 bar) (L/min) | EPDM Code | SP | Weight (kg) | FKM Code | SP | Weight (kg) |
|-----------|------------|----------------|-------------|-----------------------------------|--------------|----|----------------|-------------|----|----------------|
| 16 | 10 | 3/8 | 16 | 71 | 161 546 341 | 1 | 0.157 | 161 546 351 | 1 | 0.184 |
| 20 | 15 | 1/2 | 16 | 185 | 161 546 342 | 1 | 0.233 | 161 546 352 | 1 | 0.200 |
| 25 | 20 | 3/4 | 16 | 350 | 161 546 343 | 1 | 0.245 | 161 546 353 | 1 | 0.342 |
| 32 | 25 | 1 | 16 | 700 | 161 546 344 | 1 | 0.483 | 161 546 354 | 1 | 0.486 |
| 40 | 32 | 1 1/4 | 16 | 1000 | 161 546 345 | 1 | 0.796 | 161 546 355 | 1 | 0.740 |
| 50 | 40 | 1 1/2 | 16 | 1600 | 161 546 346 | 1 | 1.089 | 161 546 356 | 1 | 0.850 |
| 63 | 50 | 2 | 16 | 3100 | 161 546 347 | 1 | 1.922 | 161 546 357 | 1 | 1.934 |
| 75 | 65 | 2 1/2 | 16 | 5000 | 161 546 348 | 1 | 4.363 | 161 546 358 | 1 | 4.900 |
| 90 | 80 | 3 | 16 | 7000 | 161 546 349 | 1 | 5.376 | 161 546 359 | 1 | 7.400 |
| 110 | 100 | 4 | 16 | 11000 | 161 546 350 | 1 | 9.633 | 161 546 360 | 1 | 9.707 |

| D (mm) | H (mm) | H1 (mm) | H2 (mm) | L (mm) | L1 (mm) | L2 (mm) | L4 (mm) | L5 (mm) | L6 (mm) | M | z (mm) |
|-----------|-----------|------------|------------|-----------|------------|------------|------------|------------|------------|----|-----------|
| 50 | 61 | 27 | 12 | 105 | 82 | 56 | 25 | 35 | 47 | 6 | 68 |
| 50 | 61 | 27 | 12 | 105 | 82 | 56 | 25 | 35 | 47 | M6 | 67 |
| 58 | 74 | 30 | 12 | 122 | 106 | 65 | 25 | 44 | 62 | 6 | 76 |
| 68 | 80 | 36 | 12 | 134 | 106 | 71 | 25 | 44 | 62 | M6 | 82 |
| 84 | 95 | 44 | 15 | 155 | 131 | 85 | 45 | 57 | 74 | M8 | 98 |
| 97 | 102 | 51 | 15 | 164 | 131 | 89 | 45 | 57 | 74 | M8 | 99 |
| 124 | 117 | 64 | 15 | 184 | 152 | 101 | 45 | 66 | 86 | M8 | 111 |
| 166 | 150 | 85 | 15 | 234 | 270 | 136 | 70 | 64 | 206 | M8 | 148 |
| 200 | 161 | 105 | 15 | 255 | 270 | 141 | 70 | 64 | 206 | M8 | 163 |
| 238 | 178 | 123 | 22 | 301 | 320 | 164 | 120 | 64 | 256 | 12 | 178 |

Data sheet

valid from: 2/18/21



The technical data are not binding. They neither constitute expressly warranted characteristics nor guaranteed properties nor a guaranteed durability. They are subject to modification. Our General Terms of Sale apply.

Georg Fischer Piping Systems Ltd, Postfach, CH-8201 Schaffhausen/Switzerland

Phone +41 -(0)52-631 1111

e-mail: info.ps@georgfischer.com

Internet: <http://www.gfps.com>