

EP8520.006



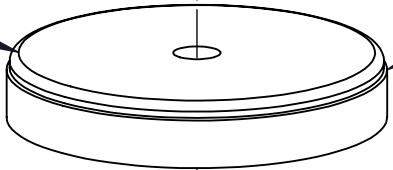
303 STAINLESS STEEL

7218



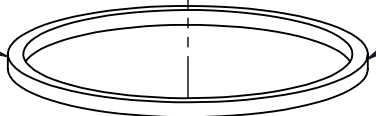
NEOPRENE

EP8520.008



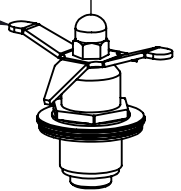
303 STAINLESS STEEL

7220

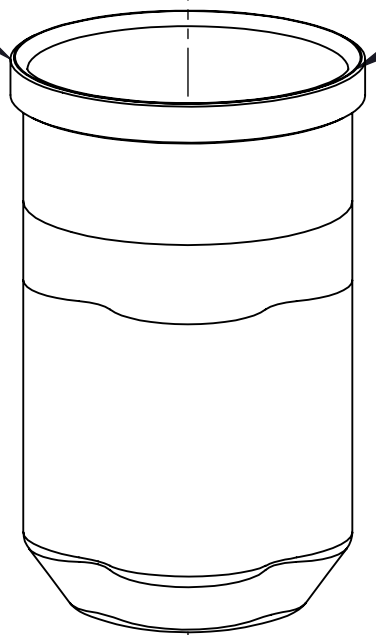


NEOPRENE

7325

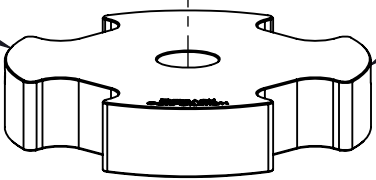


EP8520.005



300 SERIES STAINLESS STEEL

EP8500.004



6061 ALUMINUM

PART OF 7325



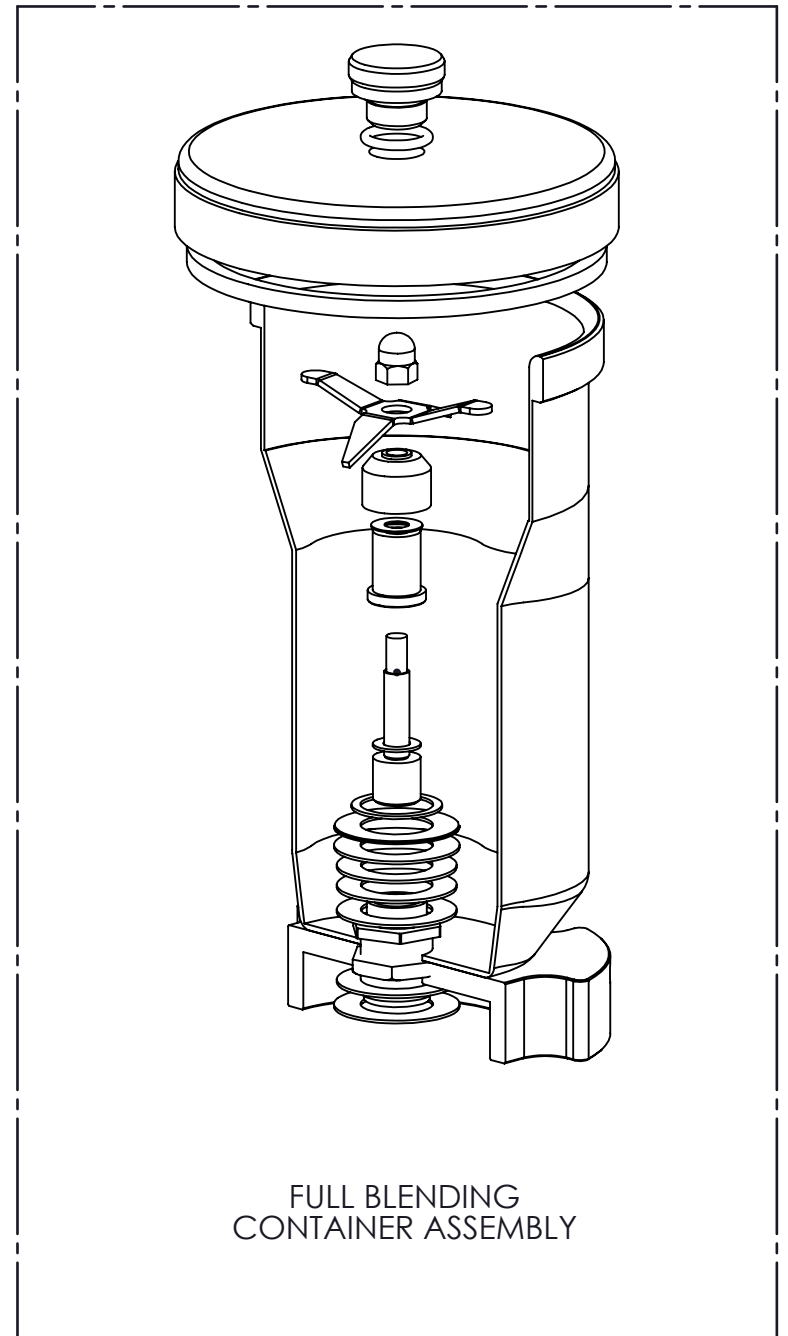
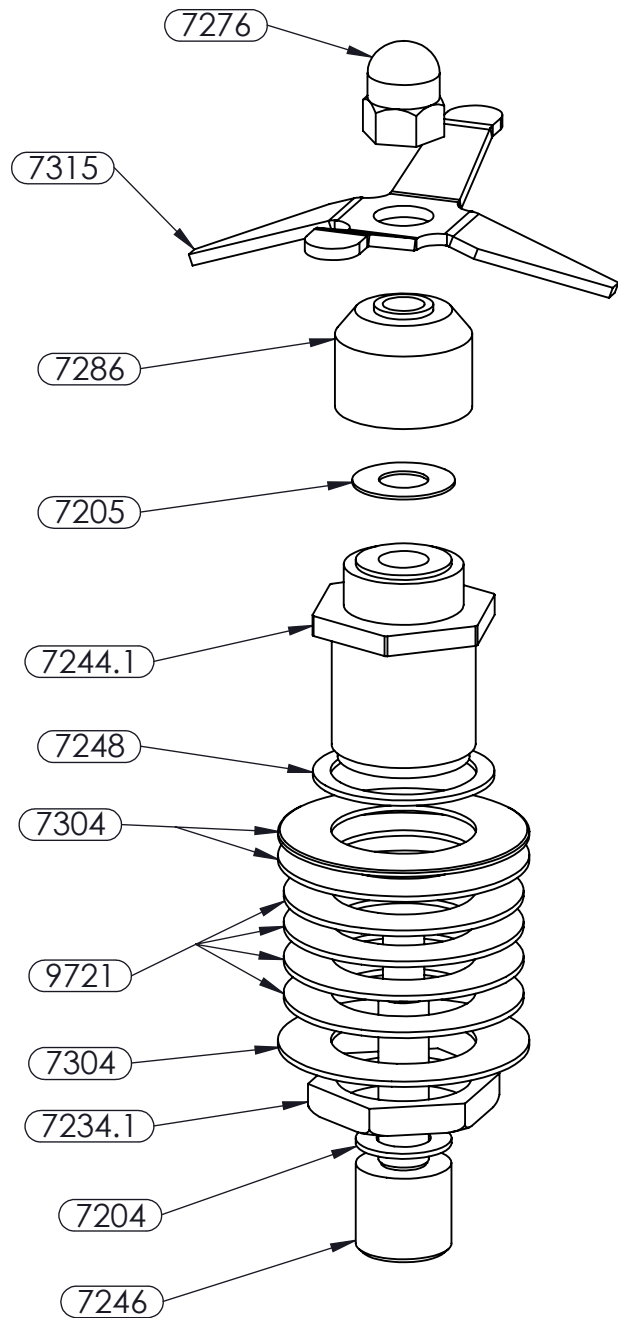
EBERBACH CORPORATION

1-LITER S/S BLENDING CONTAINER

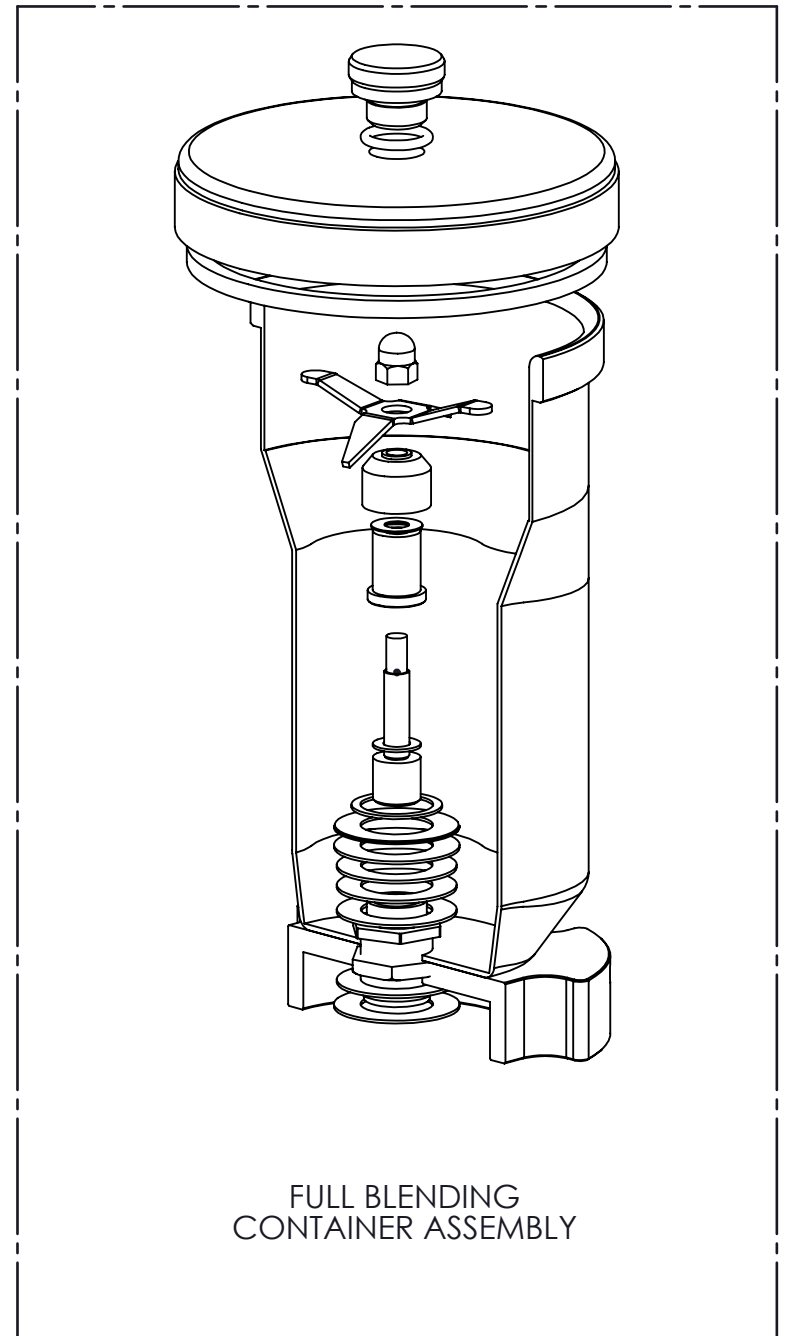
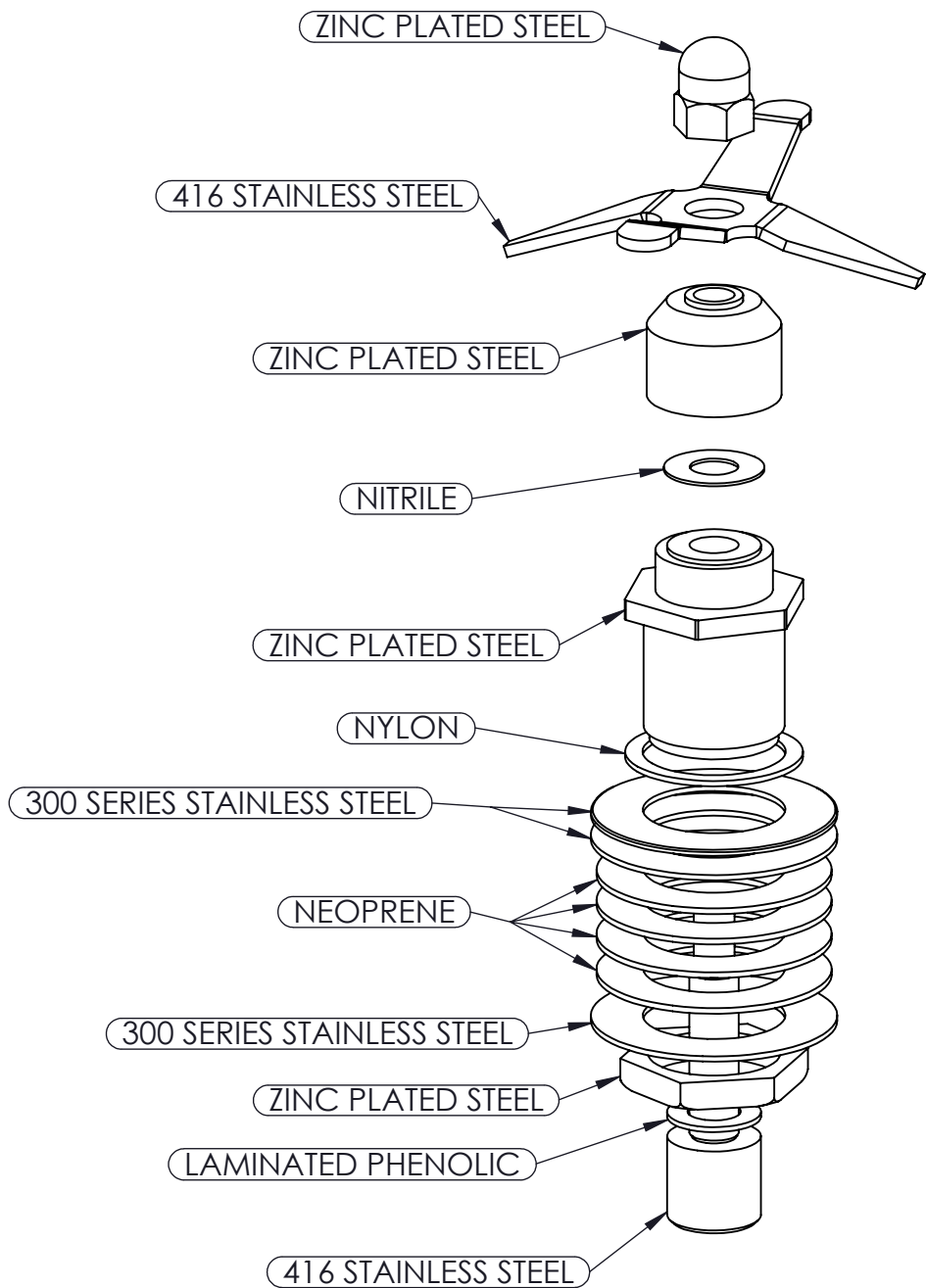
E8520.00

PART NAME

PART NO.



FULL BLENDING  
CONTAINER ASSEMBLY



**EBERBACH CORPORATION**

PART NAME

1-LITER S/S BLENDING CONTAINER

PART NO.

E8520.00