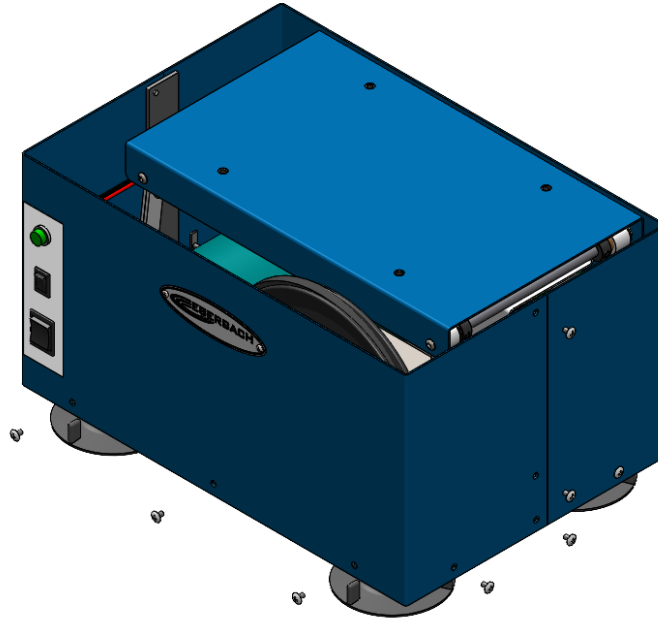
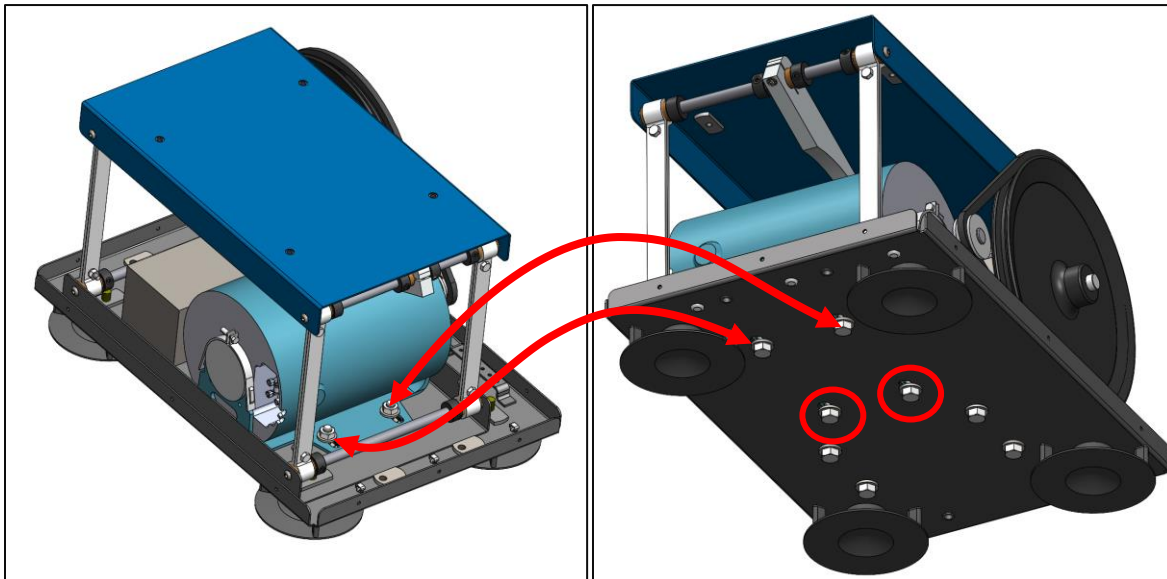


Belt Swap

1. Unplug power cord from the machine.
2. Remove the front panel to access the pulleys.



3. Loosen the four (4) motor screws (red arrows and circles) using 7/16 wrenches to take the tension off the belt.



4. Slide the motor to loosen the belt.
5. Remove the belt.
6. Pull motor away from the large pulley and tighten the motor screws.
 - a. This step is to provide tension for the belt.
7. Check tension on belt.
 - a. The belt should deflect roughly the width of the belt.
8. Reinstall the front panel.