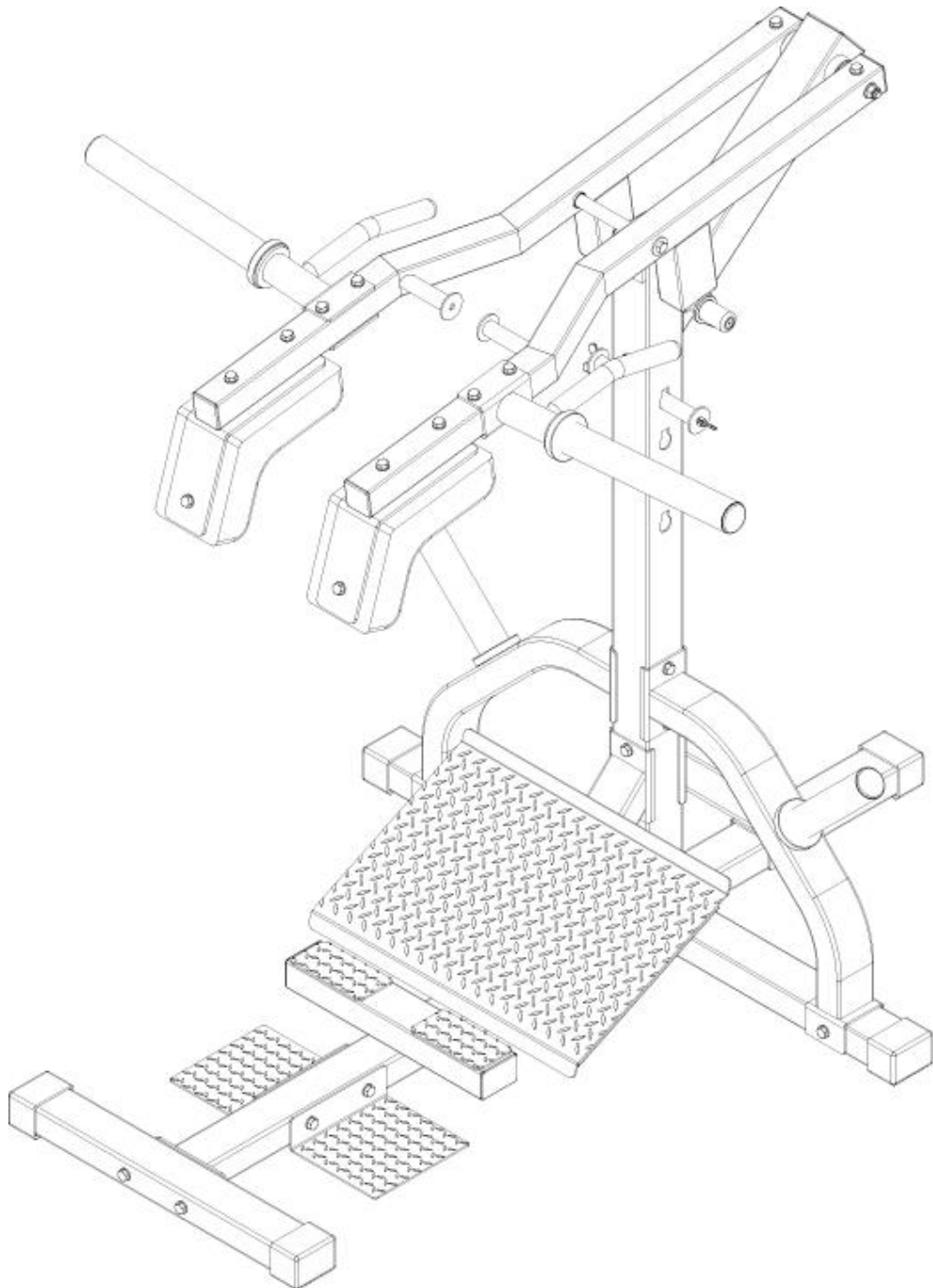


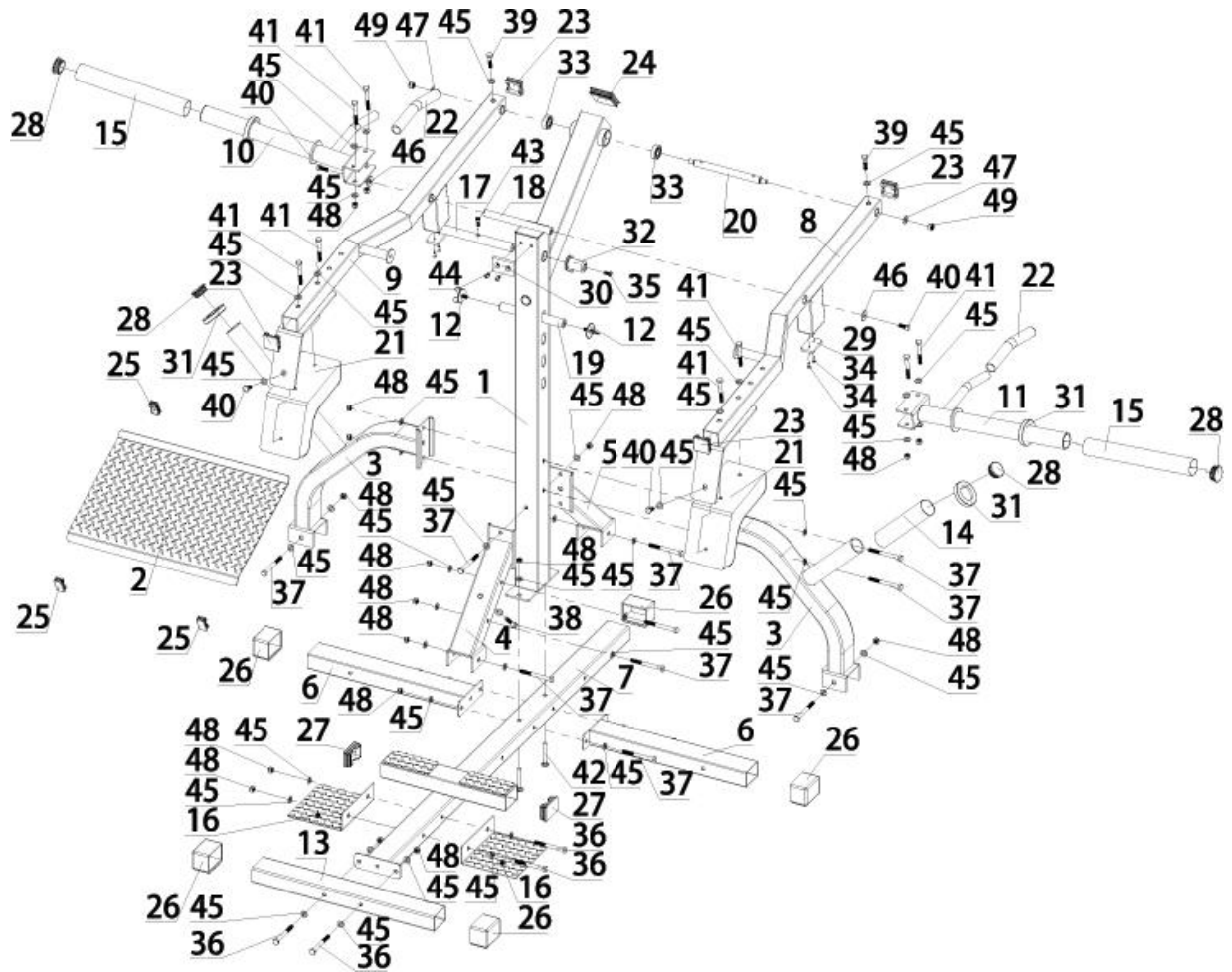
# IRONAX™

XCS LEVERGYM SQUAT CALF



ITEM NO. 70144

# EXPLODED DRAWING



# PACKING LIST

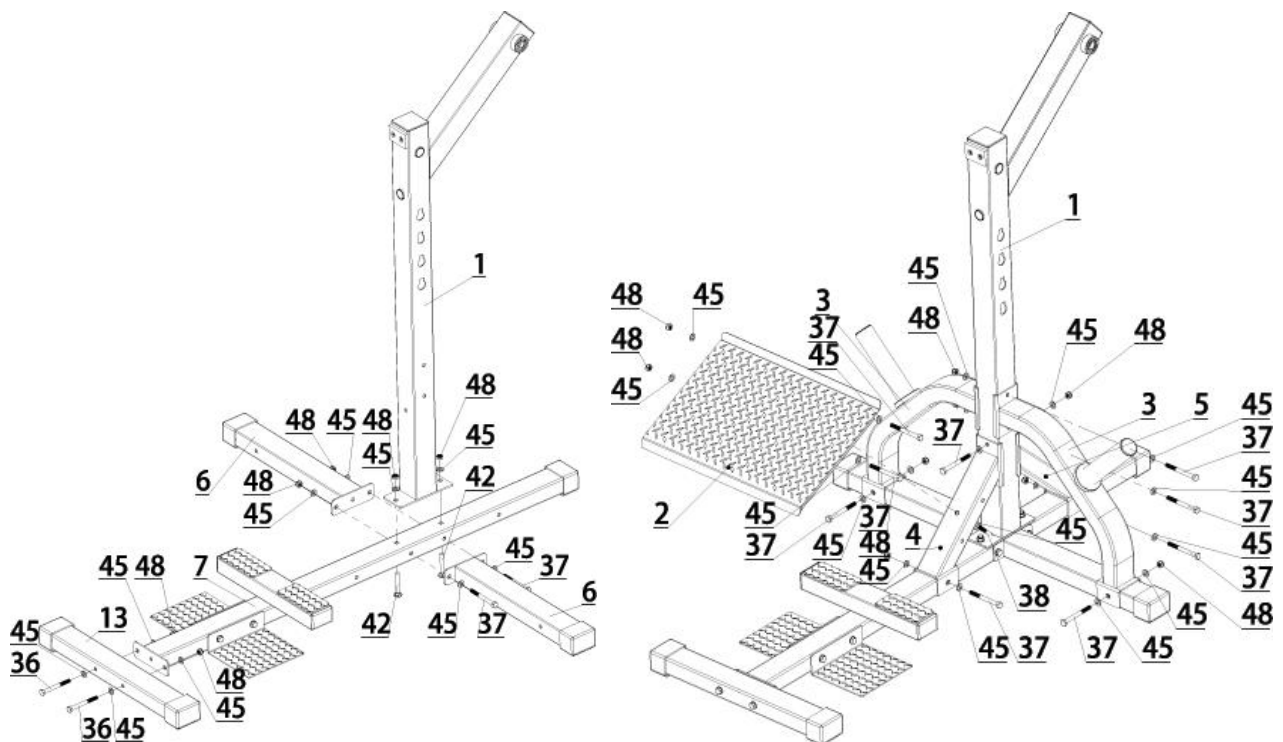
No.	Description	Q'TY	No.	Description	Q'TY
1	Upright Frame	1	26	End Cap 75*50	5
2	Pedal Frame	1	27	End Cap 50*75*2.5	2
3	Support Frame	2	28	End Cap $\Phi$ 48*3	4
4	Front Support Frame	1	29	Rubber Bumper 60*40*8	2
5	Rear Support Frame	1	30	Rubber Feet 70*45*10	1
6	Left and Right Base Frame	2	31	Rubber Bumper $\Phi$ 77* $\Phi$ 47.5*13	4
7	Base Connect Frame	1	32	End Cap $\Phi$ 25.2*55	1
8	Right Shoulder Frame	1	33	Bearing 6004ZZ	2
9	Left Shoulder Frame	1	34	Hex Screw M5*15	4
10	Left Handle Bar Frame	1	35	Hex Screw M8*20	1
11	Right Handle Bar Frame	1	36	Hex Bolt M10*95	4
12	Stop	2	37	Hex Bolt M10*100	11
13	Front Base Frame	1	38	Hex Bolt M10*65	1
14	Short Stainless Steel Sleeve	2	39	Hex Bolt M10*40	2
15	Long Stainless Steel Sleeve	2	40	Hex Bolt M10*25	4
16	L-Diamond pedal	2	41	Hex Bolt M10*75	8
17	Limit Shaft	1	42	Carriage Bolt M10*70	2
18	Synchronizing Shaft	1	43	Hex Round Head Bolt M8*20	3
19	Band Peg	1	44	Countersunk Head Screws M8*12	2
20	Axis	1	45	Flat Washer $\Phi$ 11* $\Phi$ 20*2	49
21	Shoulder Pad	2	46	Flat Washer $\Phi$ 10.5* $\Phi$ 30*2.5	2
22	Grip $\Phi$ 24*3*260	2	47	Flat Washer $\Phi$ 13.5* $\Phi$ 24*2.5	2
23	End Cap 50*50*3	4	48	Nut M10	21
24	End Cap 75*75*2.5	2	49	Nut M12	2
25	End Cap 25*50*2	4			

# Assembly

## Step 1

Fix Upright Frame (1) to the Base connect Frame (7), using Carriage Bolt M10\*70 (42), Flat Washer  $\Phi 11*\Phi 20*2$  (45) and Nut M10(48);

Fix Left & Right Base Frame (6) and Front Base Frame (17) to the Base connect Frame (7), using Hex Bolt M10\*95 (36), Hex Bolt M10\*100 (37), Flat Washer  $\Phi 11*\Phi 20*2$  (45) and Nut M10(48).



## Step 2

Fix Left & Right Support Frame (3), Front Support Frame (4) and Rear Support Frame (5) to Upright Frame (1), using Hex Bolt M10\*100 (37), Flat Washer  $\Phi 11*\Phi 20*2$  (45) and Nut M10(48);

Fix Pedal Frame(2) to Front Support Frame (4) using Hex Bolt M10\*100 (37), Hex Bolt M10\*65 (38), Flat Washer  $\Phi 11*\Phi 20*2$  (45) and Nut M10(48).

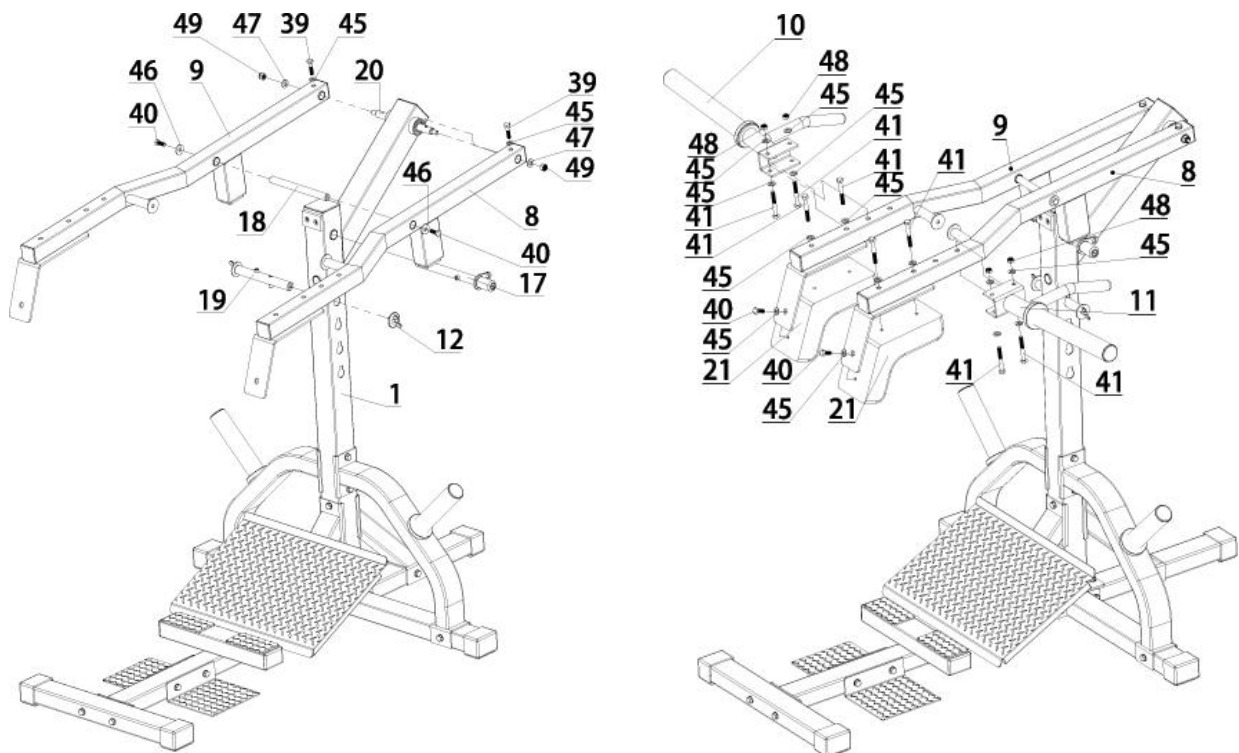
### Step 3

Install Limit Shaft(17) to Fix Upright Frame (1);

Fix Right Shoulder Frame(8) and Left Shoulder Frame(9) to Fix Upright Frame (1) using Hex Bolt M10\*40(39),Flat Washer  $\Phi 11*\Phi 20*2$  (45),Flat Washer $\Phi 13.5*\Phi 24*2.5$ (47),Nut M12(49) and Axis(20);

Connect Right Shoulder Frame(8) and Left Shoulder Frame(9) using Hex Bolt M10\*25(40),Flat Washer  $\Phi 10.5*\Phi 30*2.5$ (46) and Synchronizing Shaft(18);

Remove Stop(12) from Band Peg(19),then insert Band Peg(19) onto Fix Upright Frame (1),after that,please reassemble Stop(12). **Please tighten all the bolts and nuts.**



### Step 4

Fix Left &Right Handle Frame (10&11) to the Shoulder Frame (8&9), Using Hex Bolt M10\*75 (41), Flat Washer  $\Phi 11*\Phi 20*2$  (45) and Nut M10(48);

Fix the Shoulder Pad (21) to the Left &Right Handle Frame (10&11), Using Hex Bolt M10\*25 (40), Hex Bolt M10\*75 (41), and Flat Washer  $\Phi 11*\Phi 20*2$  (45).