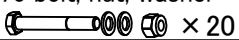



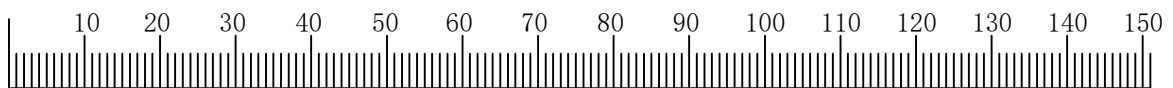
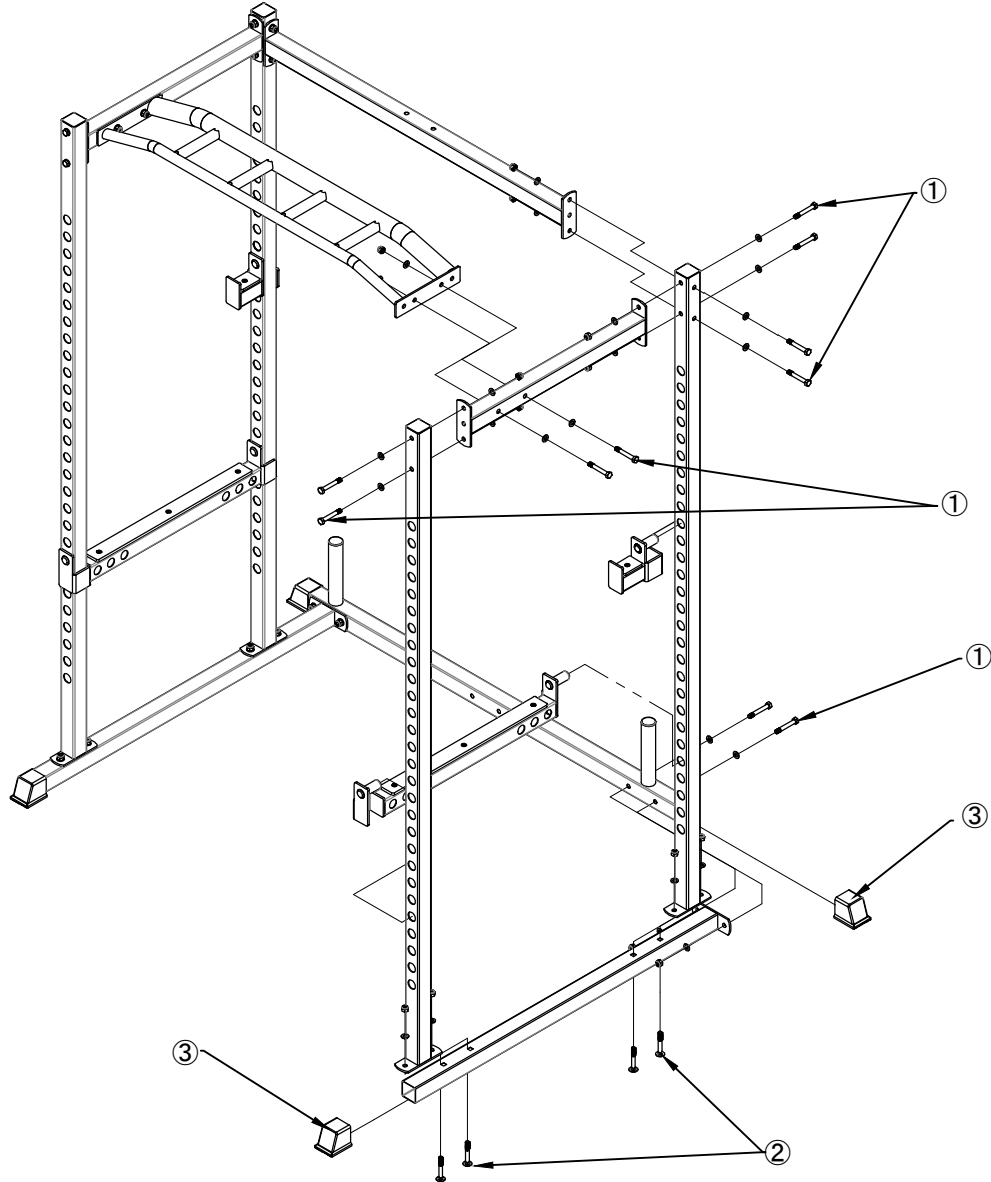
70128

INSTALLATION INSTRUCTIONS

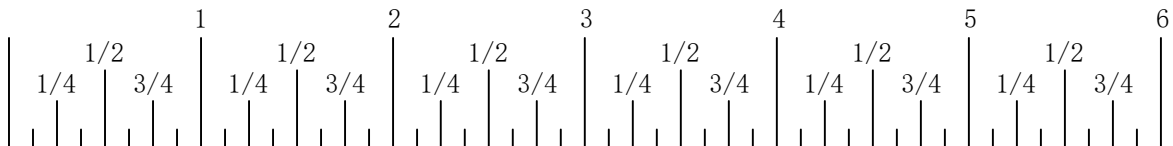
① M10 × 70 bolt, nut, washer  × 20	② M10×65 square neck bolt ,nut, washer × 8	③ foot cover  × 4
--	---	---

Note, all hardware is the same.

Just make sure all the uprights are have the engraved numbers pointing outwards.



Millimeters



Inches