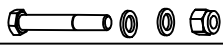

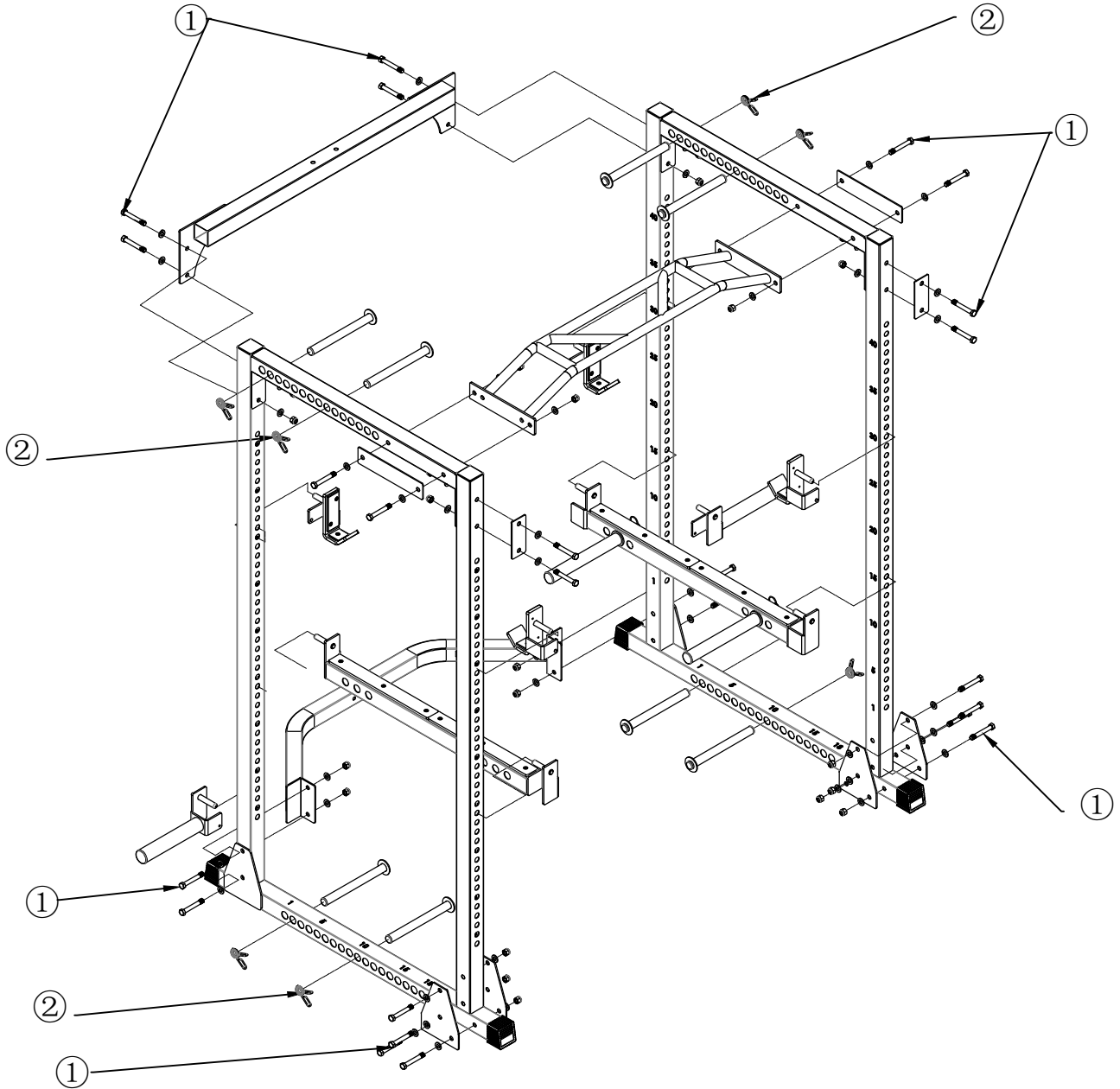


5323

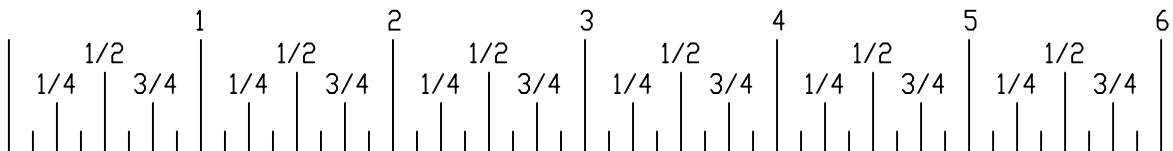
Installation Instruction

- | | |
|--|---|
| <p>① M12 x 85 bolt, washer, nut
  x24</p> | <p>② spring clip
  x 8</p> |
|--|---|

Note: There is only one size of Bolt, Nut and washers.



Millimeters



Inches