

# Antunes WATER

www.antuneswater.com ANTUNES 180 Kehoe Blvd., Carol Stream, Illinois 60188

## VZN 520/540 BYPASS KIT INSTRUCTIONS (P/N 7010008)

### PARTS INCLUDED:

- 1 - Hose (48")
- 3 - Fitting, 3/4 MPT x 3/4 CTS Stem
- 2 - Union Tee, 3/4 CTS
- 3 - Valve, 3/4 CTS x 3/4 FPT
- 2 - Garden Hose Adapter, 3/4 NPT x 3/4 GHT
- 6 - Collet Clip
- 1 - Instruction Sheet

**TOOLS:** Wrenches for pipe fittings, Thread seal tape or pipe sealant

### General

If you experience any problems with these instructions, contact Antunes Technical Service at +1-877-392-7854 (toll-free).

This Bypass Kit is designed for use with 520/540 VZN systems. It allows water to be available for use downstream when the VZN system is being serviced.

### Installation

1. Determine the mounting location for the kit. The bypass is to be connected between the inlet and outlet of the VZN system.
2. The kit uses both NPT thread adapters and CTS push-to-connect fittings. The NPT threads are shipped with pipe thread seal tape applied to the threads.

If the thread seal tape is not attached, reattach it or apply new tape to the threads. Make sure to use a drinking water approved thread seal tape. Apply two to three wraps of thread seal tape to the fitting threads before attaching to the threaded connections.

**DO NOT** over tighten the fittings into the female threads. Hand tight with one wrench turn should be all that is necessary. Always use a backup wrench when tightening threaded fittings.

3. Insert the fitting adapters and ball valves into the Tee fittings. Make sure the fittings are completely inserted (approximately 1.5") into the Tee fittings and past the o-ring in each Tee.

**NOTE:** A leak may result from a loose connection if the fittings are not fully inserted.

4. Install a collet clip under each collet on the tee fitting by inserting the clip between the collet and the fitting body.

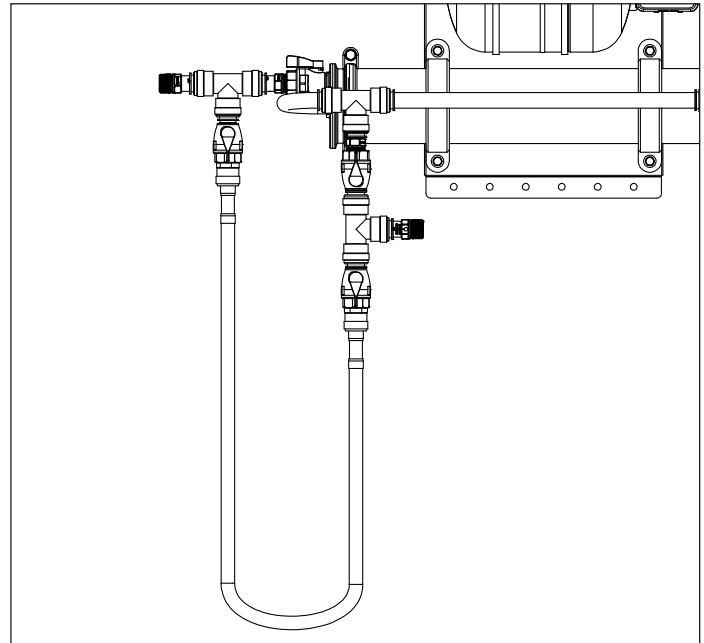


Figure 1. Bypass Kit Installed

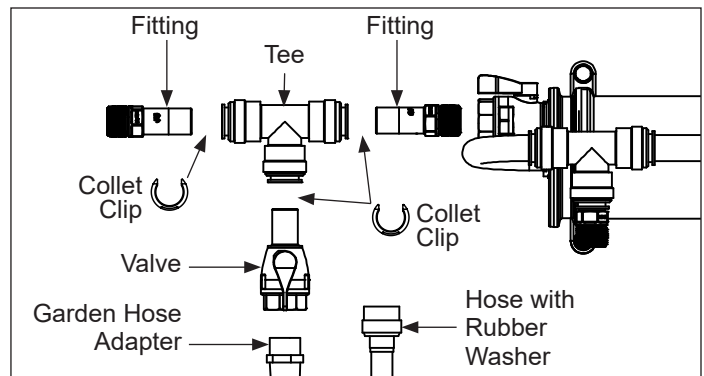


Figure 2. System Inlet Connection

**NOTE:** If a fitting needs to be disconnected from the tee, first remove the collet clip. Push the collet on the tee squarely against the face of the tee. With the collet held in place against the fitting, pull the fitting from the tee.

5. Once the fitting assemblies are installed at the inlet and outlet of the filter system, connect the hose to the garden hose adapters at each assembly. The hose comes with rubber washers already installed in each hose end. Make sure the rubber washer is in place before attaching to the fittings.

**NOTE:** If a rubber washer is not installed at each garden hose fitting, a leak will occur.

6. Tighten each hose connection with a wrench, being careful not to overtighten.

# Antunes WATER

www.antuneswater.com ANTUNES 180 Kehoe Blvd., Carol Stream, Illinois 60188

## VZN 520/540 BYPASS KIT INSTRUCTIONS (P/N 7010008)

### Alternate Fitting Orientation

Alternate fitting orientation is shown in Figure 4.

### Check for Leaks

1. Close the valves at the system inlet and outlet.
2. Open both bypass valves. The valve is open when the valve handle is in line with the valve body.
3. Turn on water to the system and look for leaks at all fittings. Tighten fittings as necessary.
4. When complete, close both bypass valves and open both system inlet and outlet valves.

### Use of the Bypass

#### **⚠ WARNING**

**Both bypass valves MUST be closed at all times when the system is in operation. If both valves are not closed, the protection the system offers will not be available.**

When the system requires service, and water must still be available for use, close the system inlet and outlet valves and open both bypass valves. When service is complete, close both bypass valves and open the system inlet and outlet valves.

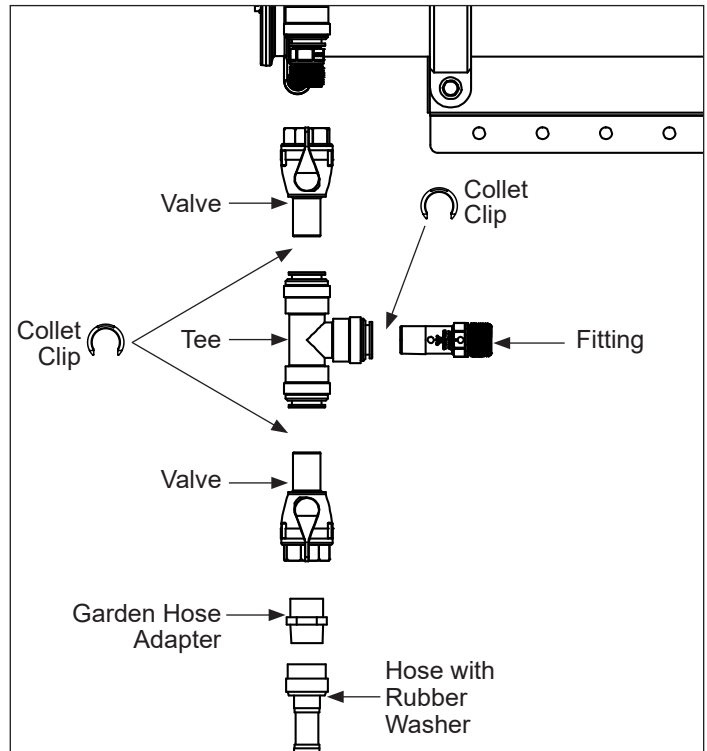


Figure 3. System Outlet Connection

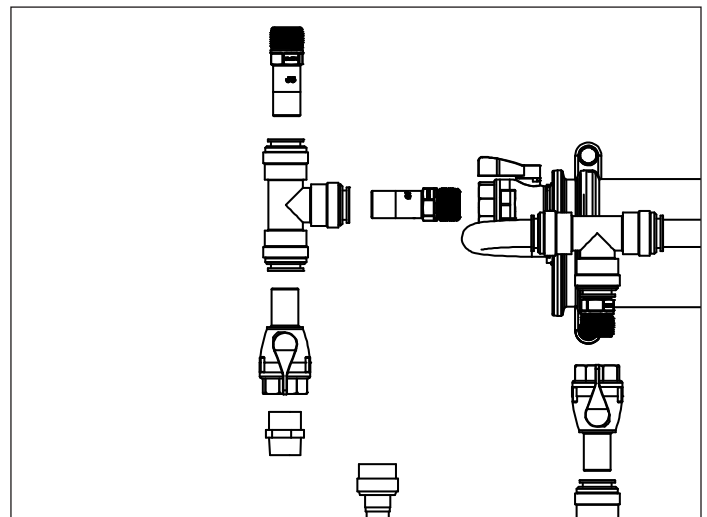


Figure 4. Alternate Fitting Orientation