

Antunes WATER

ANTUNES www.antuneswater.com 180 Kehoe Blvd., Carol Stream, Illinois 60188

RO Automatic Shut-Off Valve Replacement Kit (P/N 7010029)

PARTS INCLUDED: Kit 7010029

- 1 Automatic Shut Off Valve (P/N 2180832)
- 1 Instruction Sheet (P/N 1011631)

General

The automatic shut-off valve should be examined for damage and leaks every 6 months when filters are changed. Although the valve is well constructed and should last an exceedingly long time, it may eventually need replacement. If you have any questions or experience problems with the valve replacement, please contact Antunes technical services at (877) 392-7854 toll free.

Instructions

Depressurize and Drain the System

1. Turn off system water by closing the inlet valve.
2. Close the storage tank water valve at top of tank.
3. Open drinking faucet and allow water to run from the faucet until the flow of water stops, indicating that the system has been de-pressurized. Close the faucet.

Replace the Automatic Shut-Off Valve (ASO)

1. Remove tubing from the four connections on the ASO valve by pushing in on the collets and gently pulling the tubing free of the easy-connect fittings.
2. Dispose of the old ASO valve.
3. With new ASO Valve facing up (See Figure 1 for Valve orientation), connect the tubing from each component to the ASO valve by gently pushing tubing into easy-connect fittings (See Figure 1):
 - 1 - Connect carbon post-filter tube to upper left connection.
 - 2 - Connect membrane housing tube to upper right connection.
 - 3 - Connect membrane housing cap tube to lower left connection.
 - 4 - Connect feed water (carbon filter) tube to lower right connection.

NOTE: Ensure the text on the ASO Valve is face down towards the RO System.

NOTE: Make sure to reference the included image when connecting the tubing to the new ASO valve. Incorrect connections will cause the system to malfunction and may damage the RO components.

4. Ensure that each tubing connection is secure.

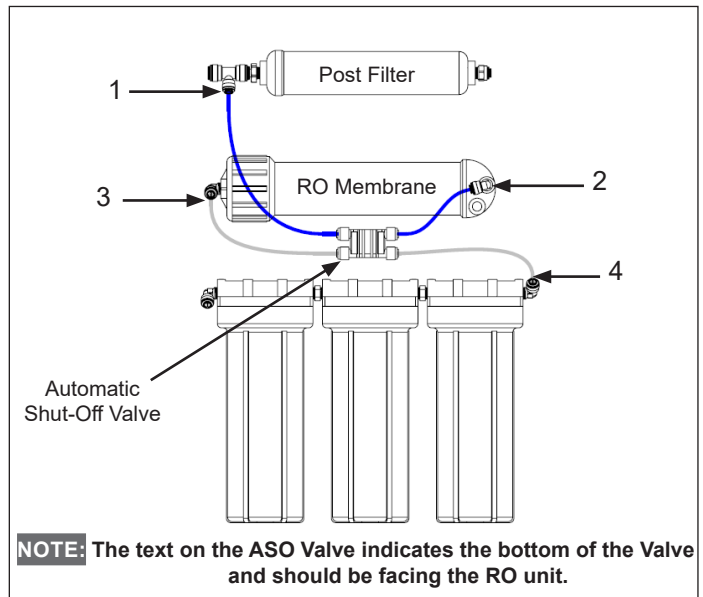


Figure 1. Automatic Shut-Off Valve

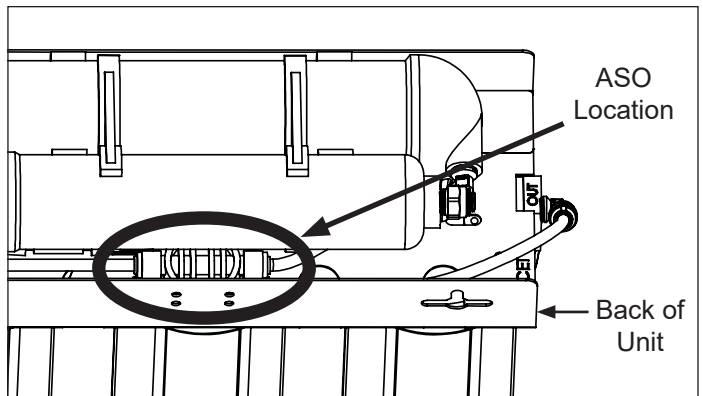


Figure 2. Automatic Shut-Off Valve Location

Return the system to service

1. Open the storage tank water valve at top of tank.
2. Turn on system water by opening the inlet valve.
3. Ensure there are no leaks by inspecting system frequently in the 24 hours following the filter change.
4. The system is now ready to use.