

Antunes WATER

ANTUNES www.antuneswater.com 180 Kehoe Blvd., Carol Stream, Illinois 60188

RO Flow Restrictor Replacement Kit (P/N 7010032)

TOOLS: Gloves, Bucket, Filter Wrench (Not included in kit, see kit 7010063)

PARTS INCLUDED: Kit 7010032

- 1 Flow Restrictor (P/N 2080252)
- 1 Instruction Sheet (P/N 1011630)

General

The flow restrictor should be examined for damage and leaks every 6 months when filters are changed. Although the flow restrictor is well constructed and should last an exceedingly long time, it may eventually need replacement. If you have any questions or experience problems with the valve replacement, please contact Antunes technical services at (877) 392-7854 toll free.

Instructions

Depressurize and Drain the System

1. Turn off system water by closing the inlet valve.
2. Close the storage tank water valve at top of tank.
3. Open drinking faucet and allow water to run from the faucet until the flow of water stops, indicating that the system has been de-pressurized. Close the faucet.

Replace the Flow Restrictor

1. Identify the flow restrictor located on the reject water tubing. See Figure 2.
2. Remove tubing from the flow restrictor by pushing in on the collets and gently pulling the tubing free.
3. Note the direction of flow. The new flow restrictor must be replaced with the arrow pointing in the correct direction away from the unit.
4. Dispose of the old flow restrictor.
5. Connect the tubing on each end to the new flow restrictor by gently pushing tubing into easy-connect fittings. Ensure that each tubing connection is secure.

Return the system to service

1. Open the storage tank water valve at top of tank.
2. Turn on system water by opening the inlet valve.
3. Ensure there are no leaks by inspecting system frequently in the 24 hours following the filter change.
4. The system is now ready for use.

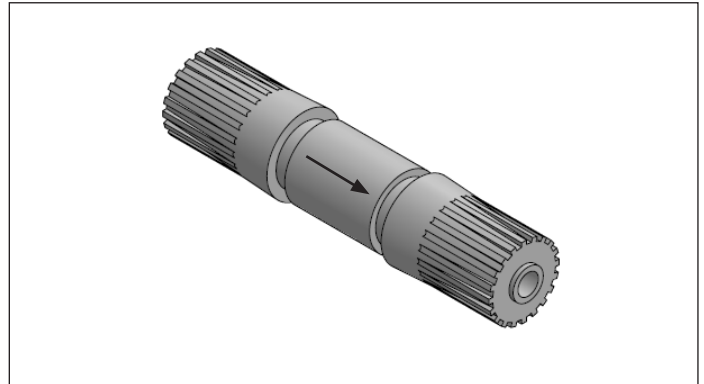


Figure 1. Flow Restrictor

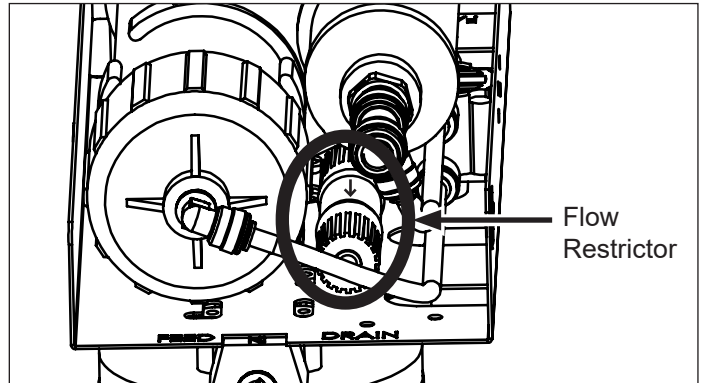


Figure 2. Flow Restrictor Location

Antunes WATER

ANTUNES www.antuneswater.com 180 Kehoe Blvd., Carol Stream, Illinois 60188

RO Automatic Shut-Off Valve Replacement Kit (P/N 7010029)

PARTS INCLUDED: Kit 7010029

- 1 Automatic Shut Off Valve (P/N 2180832)
- 1 Instruction Sheet (P/N 1011631)

General

The automatic shut-off valve should be examined for damage and leaks every 6 months when filters are changed. Although the valve is well constructed and should last an exceedingly long time, it may eventually need replacement. If you have any questions or experience problems with the valve replacement, please contact Antunes technical services at (877) 392-7854 toll free.

Instructions

Depressurize and Drain the System

1. Turn off system water by closing the inlet valve.
2. Close the storage tank water valve at top of tank.
3. Open drinking faucet and allow water to run from the faucet until the flow of water stops, indicating that the system has been de-pressurized. Close the faucet.

Replace the Automatic Shut-Off Valve (ASO)

1. Remove tubing from the four connections on the ASO valve by pushing in on the collets and gently pulling the tubing free of the easy-connect fittings.
2. Dispose of the old ASO valve.
3. With new ASO Valve facing up (See Figure 1 for Valve orientation), connect the tubing from each component to the ASO valve by gently pushing tubing into easy-connect fittings (See Figure 1):
 - 1 - Connect carbon post-filter tube to upper left connection.
 - 2 - Connect membrane housing tube to upper right connection.
 - 3 - Connect membrane housing cap tube to lower left connection.
 - 4 - Connect feed water (carbon filter) tube to lower right connection.

NOTE: Ensure the text on the ASO Valve is face down towards the RO System.

NOTE: Make sure to reference the included image when connecting the tubing to the new ASO valve. Incorrect connections will cause the system to malfunction and may damage the RO components.

4. Ensure that each tubing connection is secure.

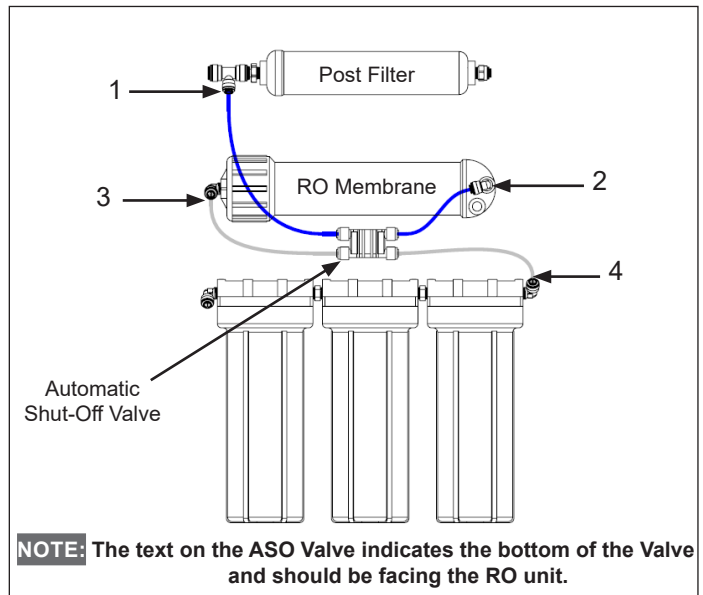


Figure 1. Automatic Shut-Off Valve

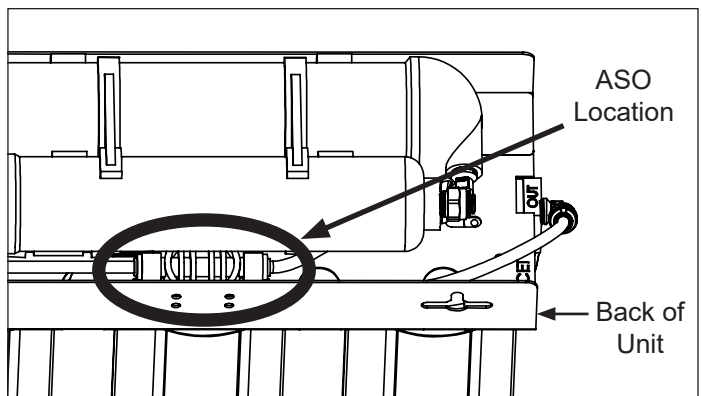


Figure 2. Automatic Shut-Off Valve Location

Return the system to service

1. Open the storage tank water valve at top of tank.
2. Turn on system water by opening the inlet valve.
3. Ensure there are no leaks by inspecting system frequently in the 24 hours following the filter change.
4. The system is now ready to use.

Antunes WATER

ANTUNES www.antuneswater.com 180 Kehoe Blvd., Carol Stream, Illinois 60188

RO Permeate Check Valve Replacement Kit (P/N 7010035)

PARTS INCLUDED: Kit 7010035

- 1 Permeate Check Valve (P/N 2080253)
- 1 Instruction Sheet (P/N 1011632)

General

The Permeate Check Valve should be examined for damage and leaks every 6 months when filters are changed. Although the check valve is well constructed and should last an exceedingly long time, it may eventually need replacement. If you have any questions or experience problems with the check valve replacement, please contact Antunes technical services at (877) 392-7854 toll free.

Instructions

Depressurize and Drain the System

1. Turn off system water by closing the inlet valve.
2. Close the storage tank water valve at top of tank.
3. Open drinking faucet and allow water to run from the faucet until the flow of water stops, indicating that the system has been de-pressurized. Close the faucet.

Replace the Permeate Check Valve

1. Identify the Permeate Check Valve located on the membrane housing. See Figures 1 and 2.
2. Remove tubing from the check valve by pushing in on the collets and gently pulling the tubing free.
3. Unscrew the old check valve and dispose.
4. Use thread tape or sealant with the new check valve and screw valve into the membrane housing.
5. Connect tubing to check valve by gently pushing tube into easy-connect fitting. Ensure that tubing connection is secure.

Return the system to service

1. Open the storage tank water valve at top of tank.
2. Turn on system water by opening the inlet valve.
3. Ensure there are no leaks by inspecting system frequently in the 24 hours following the filter change.
4. The system is now ready to use.

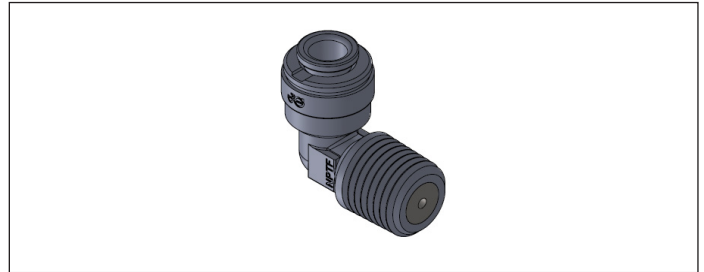


Figure 1. Permeate Check Valve

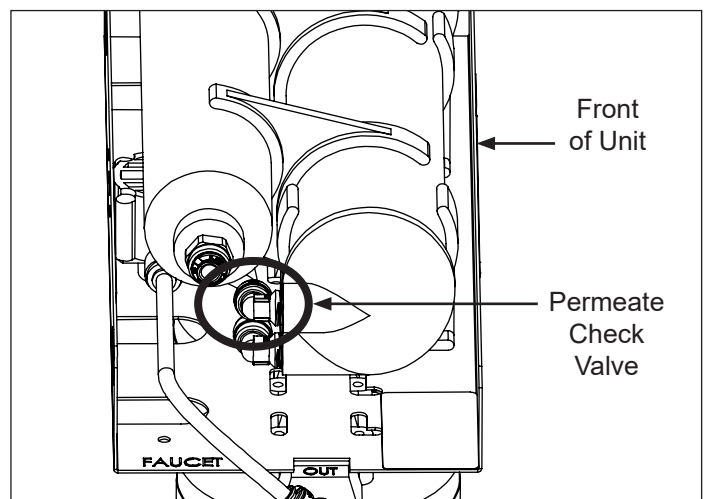


Figure 2. Permeate Check Valve Location

Antunes WATER

ANTUNES www.antuneswater.com 180 Kehoe Blvd., Carol Stream, Illinois 60188

RO Membrane Housing Replacement Kit (P/N 7010025)

TOOLS: Gloves

PARTS INCLUDED: Kit 7010025

- 1 Membrane Housing (P/N 2080830)
- 1 Instruction Sheet (P/N 1011632)

General

The membrane housing should be examined for damage and leaks every 6 months when filters are changed. Although the housing is well constructed and should last an exceedingly long time, it may eventually need replacement. If you have any questions or experience problems with the replacement, please contact Antunes technical services at (877) 392-7854 toll free.

Instructions

Depressurize and Drain the System

1. Turn off system water by closing the inlet valve.
2. Close the storage tank water valve at top of tank.
3. Open drinking faucet and allow water to run from the faucet until the flow of water stops, indicating that the system has been de-pressurized. Close the faucet.

Replace the Permeate Check Valve

1. Remove the carbon post-filter and brackets from membrane housing.
2. Disconnect tubing from the membrane housing by pushing down on the collets and gently pulling the tubing free of the easy connect fittings.
3. Remove membrane housing from main panel and unscrew the cap to remove membrane. Set the membrane aside and dispose of membrane housing.
4. Inspect membrane to make sure that all O-rings are in place and lubricated. If necessary, use a food-grade silicone lubricant.
5. Insert the membrane into the new housing narrow end first, making sure that the bottom O-ring forms a seal with the membrane housing.
6. Screw on new membrane housing cap and replace membrane housing on main panel.
7. Reconnect tubing to membrane housing by pushing tubes into easy-connect fittings. Ensure that each tubing connection is secure.
8. Place carbon post-filter and bracket on top of membrane housing.

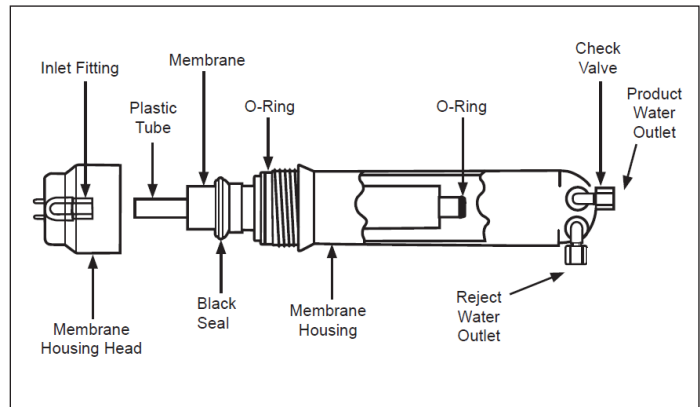


Figure 1. Membrane Housing

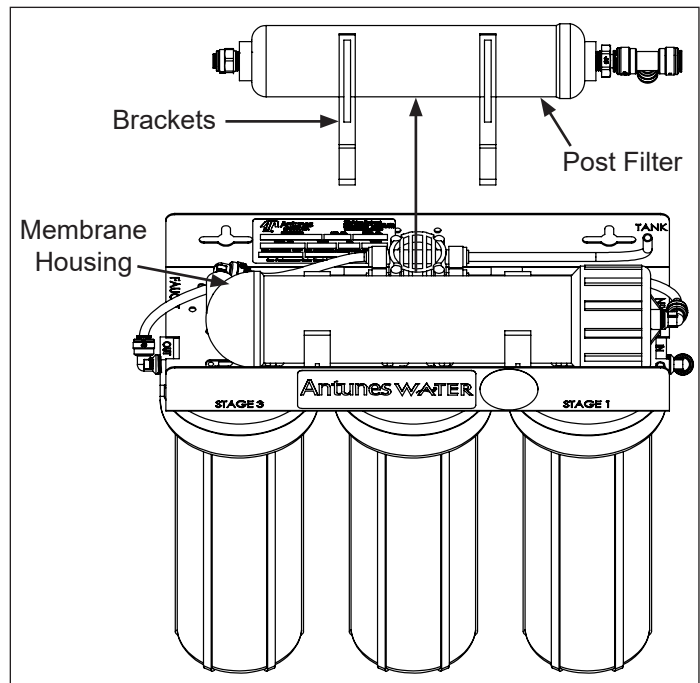


Figure 2. Membrane Housing Location

Return the system to service

1. Open the storage tank water valve at top of tank.
2. Turn on system water by opening the inlet valve.
3. Ensure there are no leaks by inspecting system frequently in the 24 hours following the filter change.
4. The system is now ready to use.