

Antunes WATER

ANTUNES www.antuneswater.com 180 Kehoe Blvd., Carol Stream, Illinois 60188

RO Membrane Housing Replacement Kit (P/N 7010025)

TOOLS: Gloves

PARTS INCLUDED: Kit 7010025

- 1 Membrane Housing (P/N 2080830)
- 1 Instruction Sheet (P/N 1011632)

General

The membrane housing should be examined for damage and leaks every 6 months when filters are changed. Although the housing is well constructed and should last an exceedingly long time, it may eventually need replacement. If you have any questions or experience problems with the replacement, please contact Antunes technical services at (877) 392-7854 toll free.

Instructions

Depressurize and Drain the System

1. Turn off system water by closing the inlet valve.
2. Close the storage tank water valve at top of tank.
3. Open drinking faucet and allow water to run from the faucet until the flow of water stops, indicating that the system has been de-pressurized. Close the faucet.

Replace the Permeate Check Valve

1. Remove the carbon post-filter and brackets from membrane housing.
2. Disconnect tubing from the membrane housing by pushing down on the collets and gently pulling the tubing free of the easy connect fittings.
3. Remove membrane housing from main panel and unscrew the cap to remove membrane. Set the membrane aside and dispose of membrane housing.
4. Inspect membrane to make sure that all O-rings are in place and lubricated. If necessary, use a food-grade silicone lubricant.
5. Insert the membrane into the new housing narrow end first, making sure that the bottom O-ring forms a seal with the membrane housing.
6. Screw on new membrane housing cap and replace membrane housing on main panel.
7. Reconnect tubing to membrane housing by pushing tubes into easy-connect fittings. Ensure that each tubing connection is secure.
8. Place carbon post-filter and bracket on top of membrane housing.

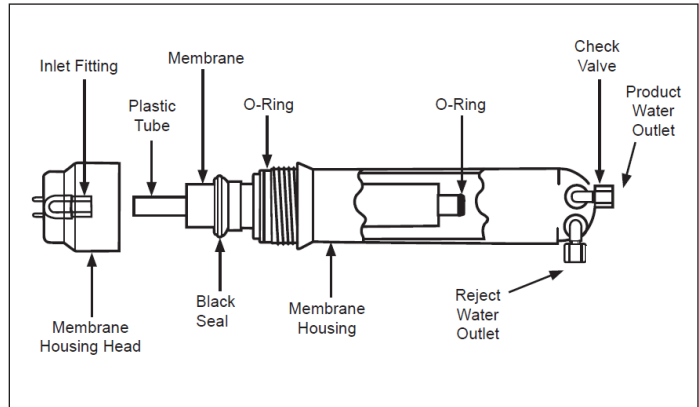


Figure 1. Membrane Housing

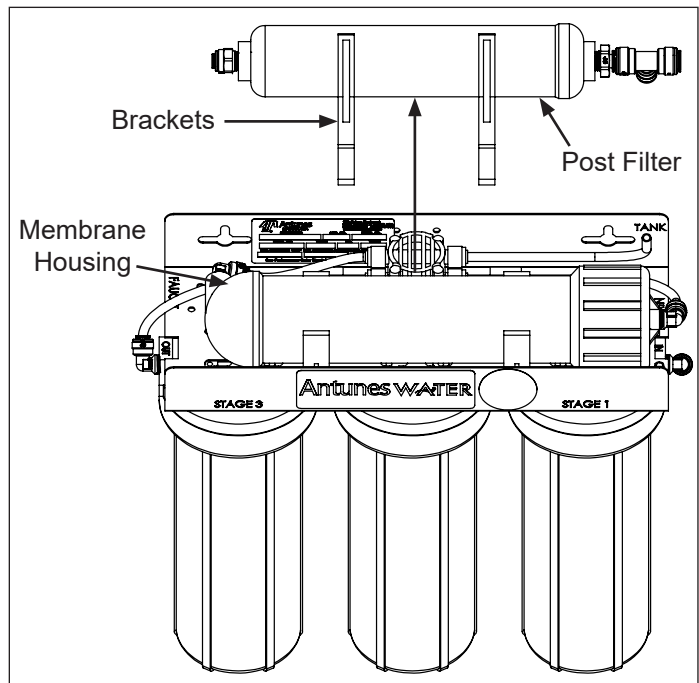


Figure 2. Membrane Housing Location

Return the system to service

1. Open the storage tank water valve at top of tank.
2. Turn on system water by opening the inlet valve.
3. Ensure there are no leaks by inspecting system frequently in the 24 hours following the filter change.
4. The system is now ready to use.