

# Antunes WATER

ANTUNES [www.antuneswater.com](http://www.antuneswater.com) 180 Kehoe Blvd., Carol Stream, Illinois 60188

## RO Flow Restrictor Replacement Kit (P/N 7010032)

**TOOLS:** Gloves, Bucket, Filter Wrench (Not included in kit, see kit 7010063)

**PARTS INCLUDED: Kit 7010032**

- 1 Flow Restrictor (P/N 2080252)
- 1 Instruction Sheet (P/N 1011630)

### General

The flow restrictor should be examined for damage and leaks every 6 months when filters are changed. Although the flow restrictor is well constructed and should last an exceedingly long time, it may eventually need replacement. If you have any questions or experience problems with the valve replacement, please contact Antunes technical services at (877) 392-7854 toll free.

### Instructions

#### Depressurize and Drain the System

1. Turn off system water by closing the inlet valve.
2. Close the storage tank water valve at top of tank.
3. Open drinking faucet and allow water to run from the faucet until the flow of water stops, indicating that the system has been de-pressurized. Close the faucet.

#### Replace the Flow Restrictor

1. Identify the flow restrictor located on the reject water tubing. See Figure 2.
2. Remove tubing from the flow restrictor by pushing in on the collets and gently pulling the tubing free.
3. Note the direction of flow. The new flow restrictor must be replaced with the arrow pointing in the correct direction away from the unit.
4. Dispose of the old flow restrictor.
5. Connect the tubing on each end to the new flow restrictor by gently pushing tubing into easy-connect fittings. Ensure that each tubing connection is secure.

#### Return the system to service

1. Open the storage tank water valve at top of tank.
2. Turn on system water by opening the inlet valve.
3. Ensure there are no leaks by inspecting system frequently in the 24 hours following the filter change.
4. The system is now ready for use.

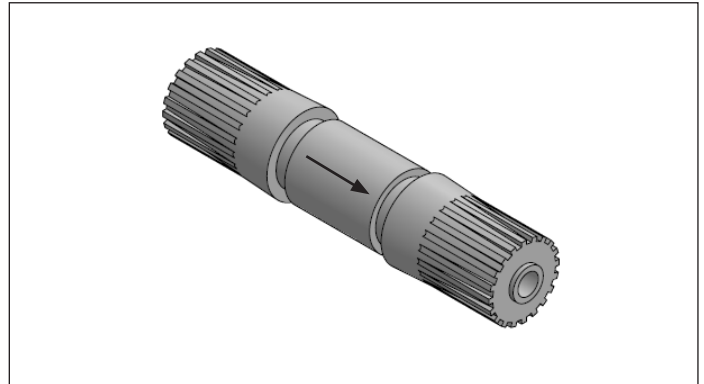


Figure 1. Flow Restrictor

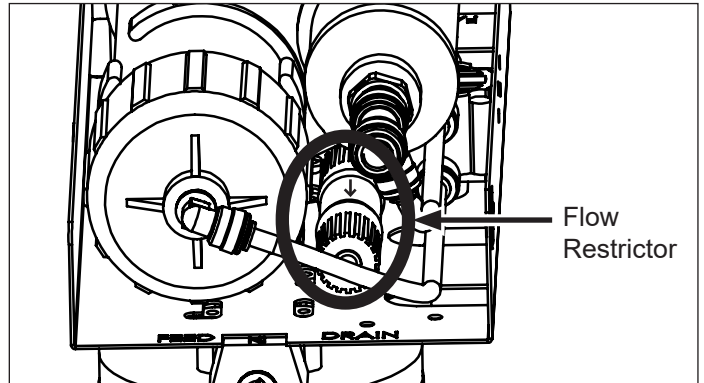


Figure 2. Flow Restrictor Location