

Antunes WATER

ANTUNES www.antuneswater.com 180 Kehoe Blvd., Carol Stream, Illinois 60188

RO Sediment Pre-Filter Replacement Kit (P/N 7010021)

TOOLS: Gloves, Bucket, Filter Wrench (Not included in kit, see kit 7010063)

PARTS INCLUDED: Kit 7010021

- 1 5 Micron Sediment Filter Cartridge (P/N 2090309)
- 1 Filter Housing O-Ring Kit (P/N 7010064)
- 1 Instruction Sheet (P/N 1011629)

General

The sediment pre-filter should be replaced every 6 months. It is recommended that the sediment pre-filter, carbon pre-filters, and carbon post-filter be changed at the same time to keep to a regular replacement schedule. If you have any questions or experience problems with filter replacement, please contact Antunes technical services at (877) 392-7854 toll free.

Instructions

Depressurize and Drain the System

1. Turn off system water by closing the inlet valve.
2. Open drinking faucet and allow water to run from the faucet until the flow of water stops, indicating that the system has been de-pressurized. Close the faucet.
3. Close the storage tank water valve at top of tank.

Replace the Sediment Pre-Filters

1. Rotate sediment filter housing clockwise until it can be removed from system panel. Use the filter wrench if necessary.
2. Remove and dispose of the used filter cartridge.
3. Clean inside of the filter housing with a mixture of mild soap, a few drops of household bleach, and water. Then rinse the filter housing thoroughly with clean water until no residue or bleach smell remains.
4. Inspect O-ring on filter housing to ensure that the seal has not been compromised. If O-ring showing signs of splits, cuts, or twisting it should be replaced. If necessary, lubricate O-ring with a food-grade silicone lubricant.
5. Insert new filter cartridge into correct housing.

NOTE: Make sure that the filter cartridges are in the correct housings. The sediment pre-filter is stage one, while the carbon prefilters are stages two and three.

6. Replace housing in main panel and rotate counterclockwise until secure. Use the filter wrench if necessary but do not over-tighten housing.

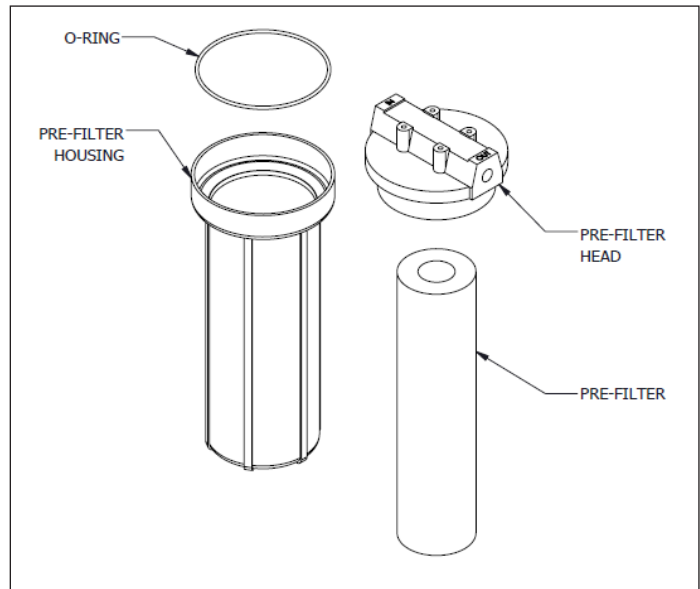


Figure 1. RO Carbon Pre-Filter

Return the system to service

1. Open the storage tank water valve at top of tank.
2. Turn on system water by opening the inlet valve.
3. Ensure there are no leaks by inspecting system frequently in the 24 hours following the filter change.
4. The system is now ready to use.

Antunes WATER

ANTUNES www.antuneswater.com 180 Kehoe Blvd., Carol Stream, Illinois 60188

RO Carbon Pre-Filter Replacement Kit (P/N 7010022)

TOOLS: Gloves, Bucket, Filter Wrench (Not included in kit, see kit 7010063)

PARTS INCLUDED: Kit 7010022

- 2 Filter Cartridge (P/N 2090310)
- 2 Filter Housing O-Ring (P/N 7040064)
- 1 Instruction Sheet (P/N 1011625)

General

The carbon pre-filter should be replaced every 6 months. It is recommended that the carbon pre-filters, sediment pre-filter, and carbon post-filter be changed at the same time to keep to a regular replacement schedule. If you have any questions or experience problems with filter replacement, please contact Antunes technical services at (877) 392-7854 toll free.

Instructions

Depressurize and Drain the System

1. Turn off system water by closing the inlet valve.
2. Open drinking faucet and allow water to run from the faucet until the flow of water stops, indicating that the system has been de-pressurized. Close the faucet.
3. Close the storage tank water valve at top of tank.

Replace the Carbon Pre-Filters

1. Rotate carbon filter housings clockwise until they can be removed from system panel. Use the filter wrench if necessary.
2. Remove and dispose of the used filter cartridges.
3. Clean inside of the filter housings with a mixture of mild soap, a few drops of household bleach, and water. Then rinse the filter housings thoroughly with clean water until no residue or bleach smell remains.
4. Inspect O-rings on filter housings to ensure that the seal has not been compromised. If an O-ring shows signs of splits, cuts, or twisting it should be replaced. If necessary, lubricate O-rings with a food-grade silicone lubricant.
5. Insert new filter cartridges into correct housings.

NOTE: Make sure that the filter cartridges are in the correct housings. The sediment pre-filter is stage one, while the carbon prefilters are stages two and three.

6. Replace housings in main panel and rotate counterclockwise until secure. Use the filter wrench if necessary but do not over-tighten housing

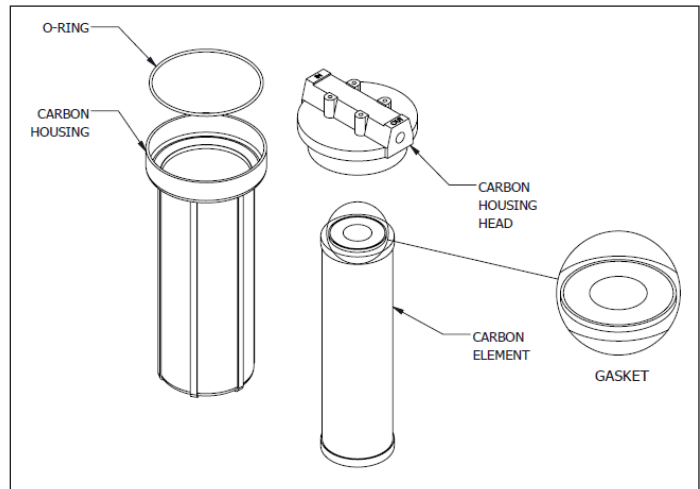


Figure 1. RO Carbon Pre-Filter

Return the system to service

1. Open the storage tank water valve at top of tank.
2. Turn on system water by opening the inlet valve.
3. Ensure there are no leaks by inspecting system frequently in the 24 hours following the filter change.
4. The system is now ready for use.

Antunes WATER

ANTUNES www.antuneswater.com 180 Kehoe Blvd., Carol Stream, Illinois 60188

RO Carbon Post-Filter Replacement Kit (P/N 7010024)

TOOLS: Gloves, Bucket

PARTS INCLUDED: Kit 7010024

- 1 Carbon Post-Filter (P/N 2090311)
- 1 O-Ring Kit (Optional)(P/N 7010064)
- 1 Instruction Sheet (P/N 1011625)

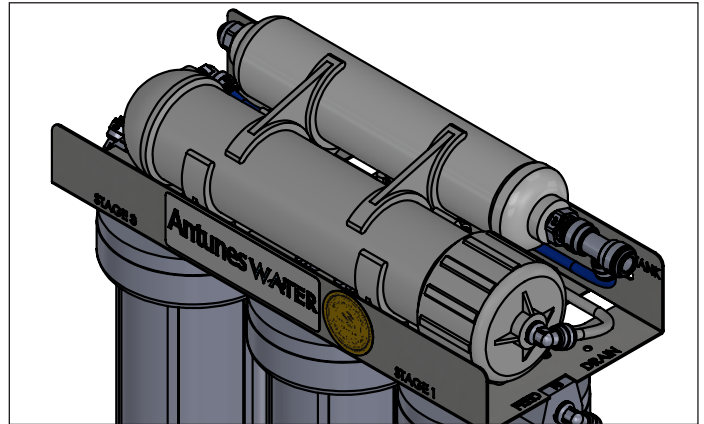


Figure 1. RO Carbon Post-Filter

General

The carbon post-filter should be replaced every 6 months. It is recommended that the carbon post-filter, carbon pre-filters, and sediment pre-filter be changed at the same time to keep to a regular replacement schedule. If you have any questions or experience problems with filter replacement, please contact Antunes technical services at (877) 392-7854 toll free.

Instructions

Depressurize and Drain the System

1. Turn off system water by closing the inlet valve.
2. Open drinking faucet and allow water to run from the faucet until the flow of water stops, indicating that the system has been de-pressurized. Close the faucet.
3. Close the storage tank water valve at top of tank.

Replace the RO Carbon Post-Filter

1. To remove the tubing from the filter, push in on the collets at either end of the filter and gently pull the tubing free.
2. Make sure to note the direction of the arrow on the post filter. It must be replaced in the same direction.
3. Remove used filter from bracket and dispose.
4. Place new filter into bracket.
5. Re-connect tubing by gently pushing tubes into collets. Make sure that each tube is secure.

Return the system to service

1. Open the storage tank water valve at top of tank.
2. Turn on system water by opening the inlet valve.
3. Ensure there are no leaks by inspecting system frequently in the 24 hours following the filter change.
4. The system is now ready for use.

Antunes WATER

ANTUNES www.antuneswater.com 180 Kehoe Blvd., Carol Stream, Illinois 60188

RO Semi-Permeable Membrane Replacement Kit (P/N 7010023)

TOOLS: Gloves, Bucket

PARTS INCLUDED: Kit 7010023

- 1 Membrane Filter (P/N 2090312)
- 1 O-Ring Kit (Optional) (P/N 7010064)
- 1 Instruction Sheet (P/N 1011624)

General

The Membrane should be replaced every 2 to 4 years, depending on the quality of feed water to the system. If you have any questions or experience problems with membrane replacement, please contact Antunes technical services at (877) 392-7854.

Instructions

Depressurize and Drain the System

1. Turn off system water by closing the inlet valve.
2. Open drinking faucet and allow water to run from the faucet until the flow of water stops, indicating that the system has been de-pressurized. Close the faucet.
3. Close the storage tank water valve at top of tank.

Replace the RO Membrane

1. Disconnect the three push-to-connect tubing connections from membrane housing.
2. Remove membrane housing from main panel and unscrew the cap to remove it. Remove and dispose of used membrane cartridge.
3. Remove new membrane from packaging and inspect it to make sure that all O-rings are in place and lubricated. If necessary, use a food-grade silicone lubricant.
4. Insert the new membrane into the housing narrow end first, making sure that the bottom O-ring forms a seal with the membrane housing.
5. Screw on membrane housing cap and replace membrane housing on system panel.
6. Re-connect push-to-connect tubing.

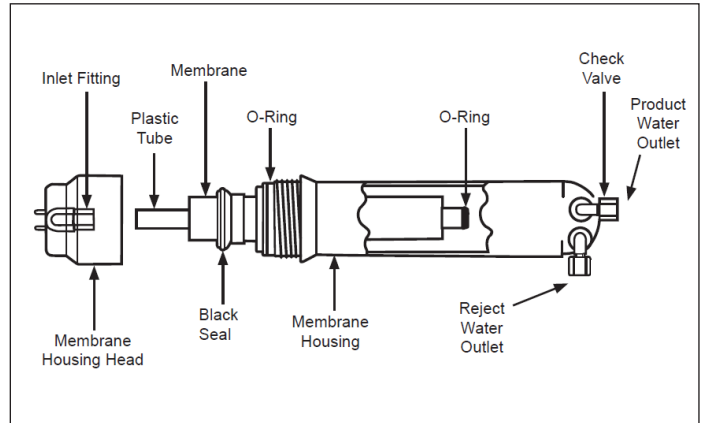


Figure 1. RO Membrane Filter

Return the system to service

1. Open the storage tank water valve at top of tank.
2. Turn on system water by opening the inlet valve.
3. Turn on RO system and allow system to operate for 12 hours.
4. At the end of 12 hours, open drinking faucet and allow water to run from the faucet until the flow of water stops, indicating that the system has been de-pressurized. Close the faucet.
5. Repeat the previous two steps a second time, allowing system to operate for an additional twelve hours and then de-pressurize

NOTE: DO NOT consume water produced during flushing. The water must be discarded down the drain.

6. Allow tank to fill. The water is now ready to be used. Ensure there are no leaks by inspecting the system frequently in the 24 hours following the filter change.
7. The system is now ready to use.