

Antunes WATER

ANTUNES www.antuneswater.com 180 Kehoe Blvd., Carol Stream, Illinois 60188

RO Carbon Pre-Filter Replacement Kit (P/N 7010022)

TOOLS: Gloves, Bucket, Filter Wrench (Not included in kit, see kit 7010063)

PARTS INCLUDED: Kit 7010022

- 2 Filter Cartridge (P/N 2090310)
- 2 Filter Housing O-Ring (P/N 7040064)
- 1 Instruction Sheet (P/N 1011625)

General

The carbon pre-filter should be replaced every 6 months. It is recommended that the carbon pre-filters, sediment pre-filter, and carbon post-filter be changed at the same time to keep to a regular replacement schedule. If you have any questions or experience problems with filter replacement, please contact Antunes technical services at (877) 392-7854 toll free.

Instructions

Depressurize and Drain the System

1. Turn off system water by closing the inlet valve.
2. Open drinking faucet and allow water to run from the faucet until the flow of water stops, indicating that the system has been de-pressurized. Close the faucet.
3. Close the storage tank water valve at top of tank.

Replace the Carbon Pre-Filters

1. Rotate carbon filter housings clockwise until they can be removed from system panel. Use the filter wrench if necessary.
2. Remove and dispose of the used filter cartridges.
3. Clean inside of the filter housings with a mixture of mild soap, a few drops of household bleach, and water. Then rinse the filter housings thoroughly with clean water until no residue or bleach smell remains.
4. Inspect O-rings on filter housings to ensure that the seal has not been compromised. If an O-ring shows signs of splits, cuts, or twisting it should be replaced. If necessary, lubricate O-rings with a food-grade silicone lubricant.
5. Insert new filter cartridges into correct housings.

NOTE: Make sure that the filter cartridges are in the correct housings. The sediment pre-filter is stage one, while the carbon prefilters are stages two and three.

6. Replace housings in main panel and rotate counterclockwise until secure. Use the filter wrench if necessary but do not over-tighten housing

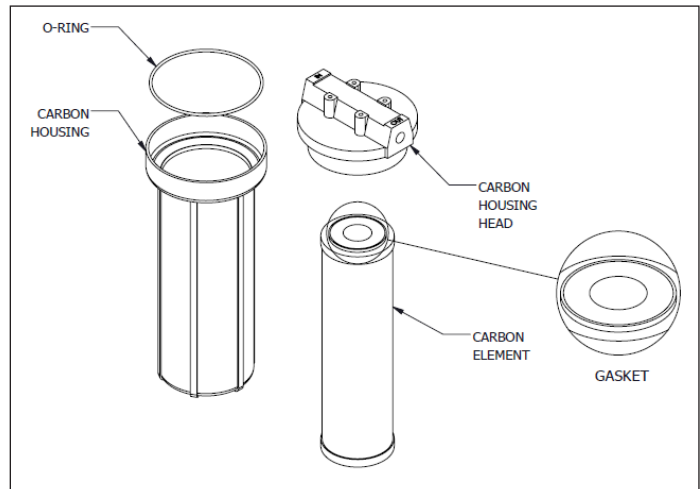


Figure 1. RO Carbon Pre-Filter

Return the system to service

1. Open the storage tank water valve at top of tank.
2. Turn on system water by opening the inlet valve.
3. Ensure there are no leaks by inspecting system frequently in the 24 hours following the filter change.
4. The system is now ready for use.