

# Antunes WATER

ANTUNES [www.antuneswater.com](http://www.antuneswater.com) 180 Kehoe Blvd., Carol Stream, Illinois 60188

## RO Carbon Post-Filter Replacement Kit (P/N 7010024)

**TOOLS:** Gloves, Bucket

**PARTS INCLUDED: Kit 7010024**

- 1 Carbon Post-Filter (P/N 2090311)
- 1 O-Ring Kit (Optional)(P/N 7010064)
- 1 Instruction Sheet (P/N 1011625)

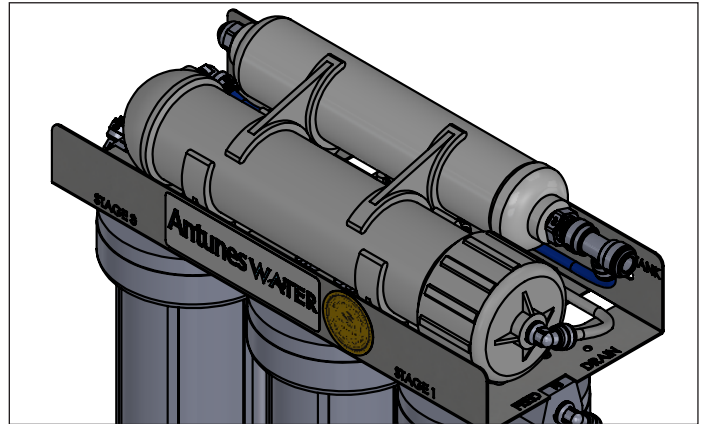


Figure 1. RO Carbon Post-Filter

### General

The carbon post-filter should be replaced every 6 months. It is recommended that the carbon post-filter, carbon pre-filters, and sediment pre-filter be changed at the same time to keep to a regular replacement schedule. If you have any questions or experience problems with filter replacement, please contact Antunes technical services at (877) 392-7854 toll free.

### Instructions

#### Depressurize and Drain the System

1. Turn off system water by closing the inlet valve.
2. Open drinking faucet and allow water to run from the faucet until the flow of water stops, indicating that the system has been de-pressurized. Close the faucet.
3. Close the storage tank water valve at top of tank.

#### Replace the RO Carbon Post-Filter

1. To remove the tubing from the filter, push in on the collets at either end of the filter and gently pull the tubing free.
2. Make sure to note the direction of the arrow on the post filter. It must be replaced in the same direction.
3. Remove used filter from bracket and dispose.
4. Place new filter into bracket.
5. Re-connect tubing by gently pushing tubes into collets. Make sure that each tube is secure.

#### Return the system to service

1. Open the storage tank water valve at top of tank.
2. Turn on system water by opening the inlet valve.
3. Ensure there are no leaks by inspecting system frequently in the 24 hours following the filter change.
4. The system is now ready for use.