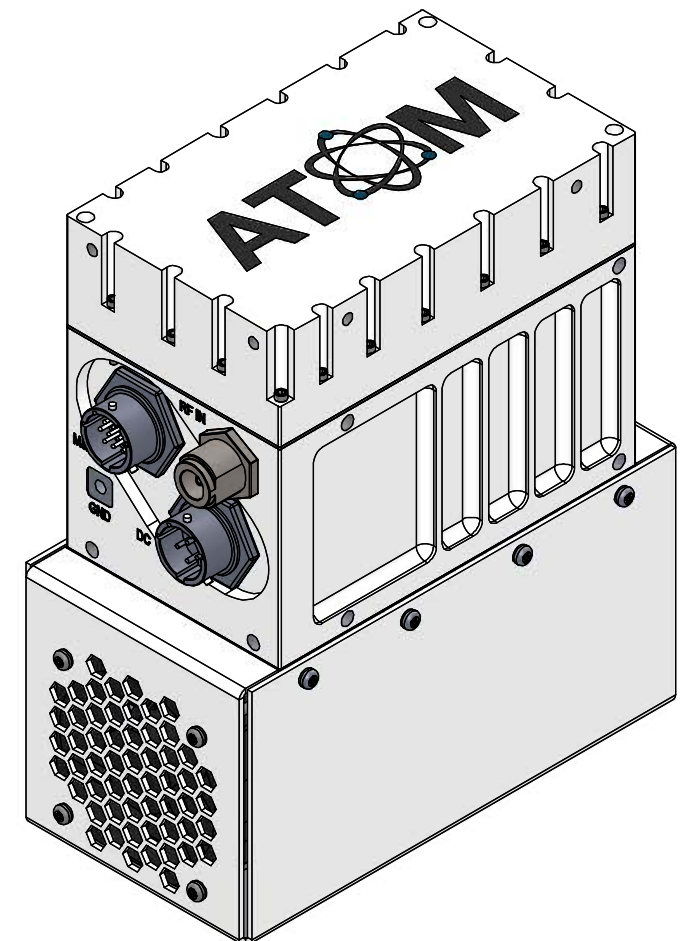
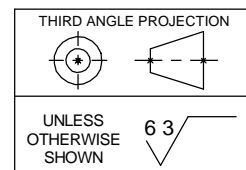


REV.	CO No.	DESCRIPTION	DWN	DATE YY/MM/DD
0	6200	INITIAL RELEASE	-	-



PRELIMINARY, FOR QUOTATION PURPOSES ONLY



DIMENSIONS ARE IN INCHES UNLESS OTHERWISE SHOWN				
TOLERANCE UNLESS OTHERWISE SHOWN	.XX	.XXX	.XXX	ANGLES
	±0.010"	±0.003"	±0.001"	±0.5°

DRAWN	SKL
DATE (YY/MM/DD)	14/12/04
ENGINEER	MJS
ENGINEER	JTG
CHECKED	-
APPROVED	-
NEXT ASSEMBLY	-
©2014 Norsat International Inc.	

CONFIDENTIAL - NOT FOR PUBLICATION
 THIS IS A CONFIDENTIAL DOCUMENT, AND IN ACCEPTING IT, THE RECIPIENT ACKNOWLEDGES THAT IT IS PROVIDED UNDER THE DISTINCT CONDITION THAT IT IS FOR HIS CONFIDENTIAL USE ONLY, AND THAT HE SHALL NOT ALLOW IT TO BE REPRODUCED OR ITS CONTENTS DISCLOSED IN ANY MANNER WHATSOEVER IN WHOLE OR IN PART WITHOUT SPECIAL PERMISSION IN WRITING FROM Norsat International Inc. ALL RIGHTS RESERVED.

Norsat International Inc.
 110 - 4020 Viking Way, Richmond, B.C., Canada V6V 2L4
 Tel: 604.821.2800 Fax: 604.821.2801

Customer Service Drawing
Atom BUC/SSPA
with EMC/EMI Filter
WR75, DC In, 40/50W

Part No.	VARIOUS	DWG No.	PUB000622	SIZE	B
SCALE:	1:2	SHEET	1 OF 1		