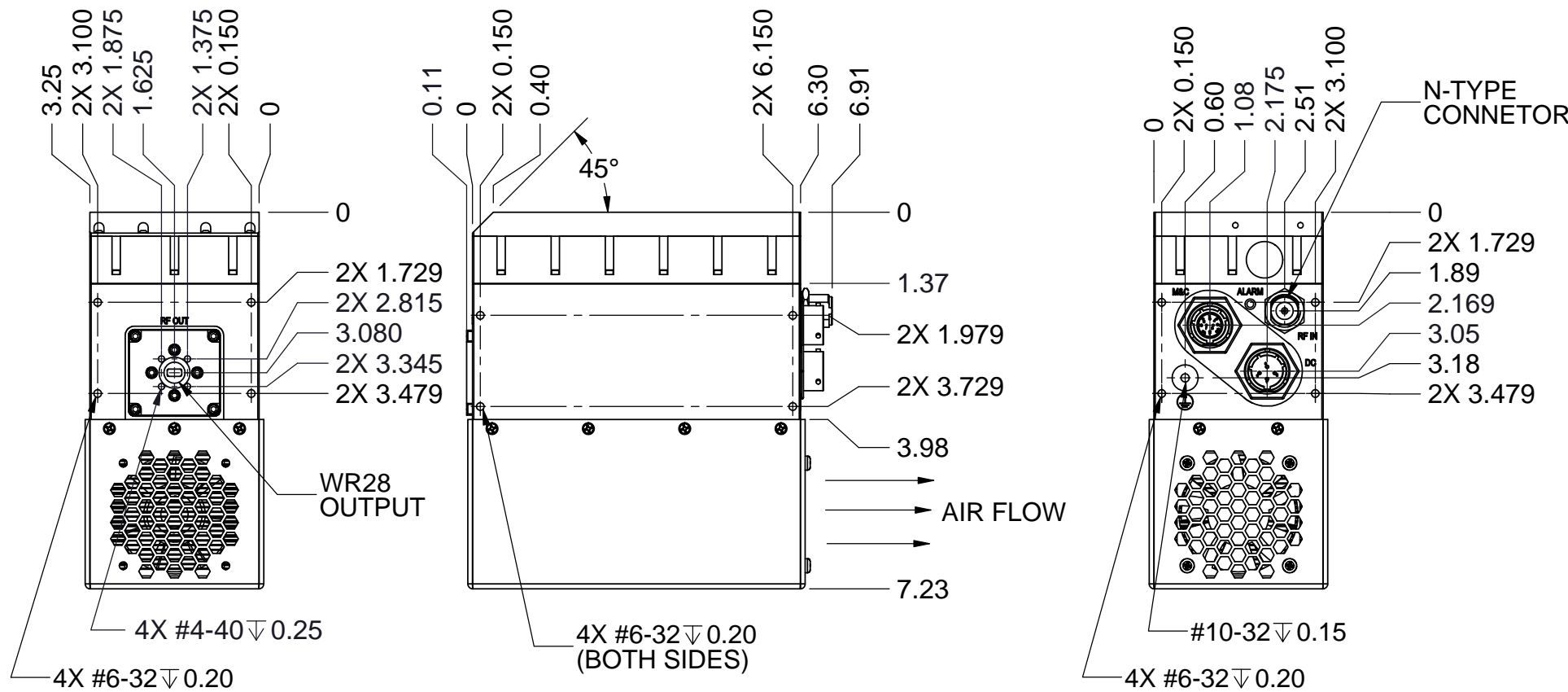
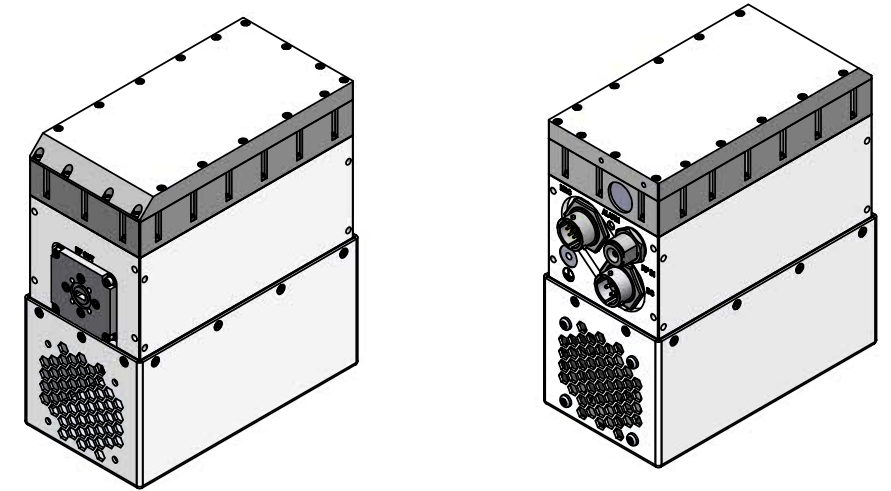
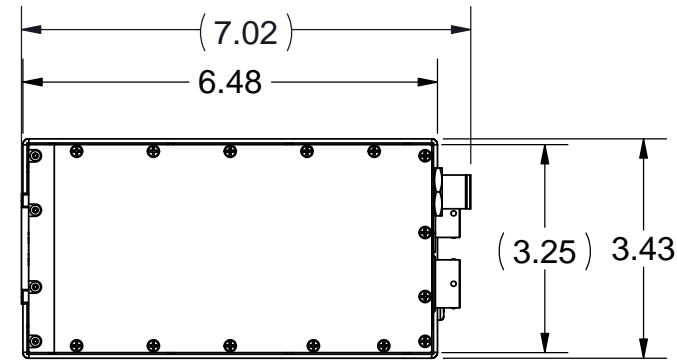
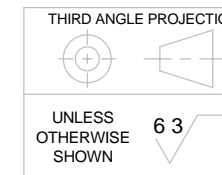


REV.	CO No.	DESCRIPTION	DWN	DATE YY/MM/DD
A	0549	INITIAL DESIGN	-	-



NOTE:

1. N-Connector Input Shown. For SSPA option, the N-Connector will be replaced with K-Connector.
2. Tolerances are reference only.
3. Mounting features and connector placement are subject to change.



DIMENSIONS ARE IN INCHES UNLESS OTHERWISE SHOWN				
TOLERANCE	.XX	.XXX	.XXX	ANGLES
UNLESS OTHERWISE SHOWN	±0.010"	±0.003"	±0.001"	±0.5°

UNLESS OTHERWISE SHOWN

6 3

DRAWN
WWP

DATE (YY/MM/DD)
17/11/15

ENGINEER
-

ENGINEER
WWP

CHECKED
GTI

APPROVED
-

CONFIDENTIAL - NOT FOR PUBLICATION

THIS IS A CONFIDENTIAL DOCUMENT, AND IN ACCEPTING IT, THE RECIPIENT ACKNOWLEDGES THAT IT IS PROVIDED UNDER THE DISTINCT CONDITION THAT IT IS FOR HIS CONFIDENTIAL USE ONLY, AND THAT HE SHALL NOT ALLOW IT TO BE REPRODUCED OR ITS CONTENTS DISCLOSED IN ANY MANNER WHATSOEVER IN WHOLE OR IN PART WITHOUT SPECIAL PERMISSION IN WRITING FROM Norsat International Inc. ALL RIGHTS RESERVED.



110 - 4020 Viking Way, Richmond, B.C., Canada V6V 2L4
Tel: 604.821.2800 Fax: 604.821.2801

Customer Service Drawing
Fan Cooled, EMI/EMC
WR28 Out, 25W, Ka Atom

Part No. VARIOUS	DWG No. DOC-000297	SIZE B
©2018 Norsat International Inc.	SCALE: 1:3	SHEET 1 OF 1