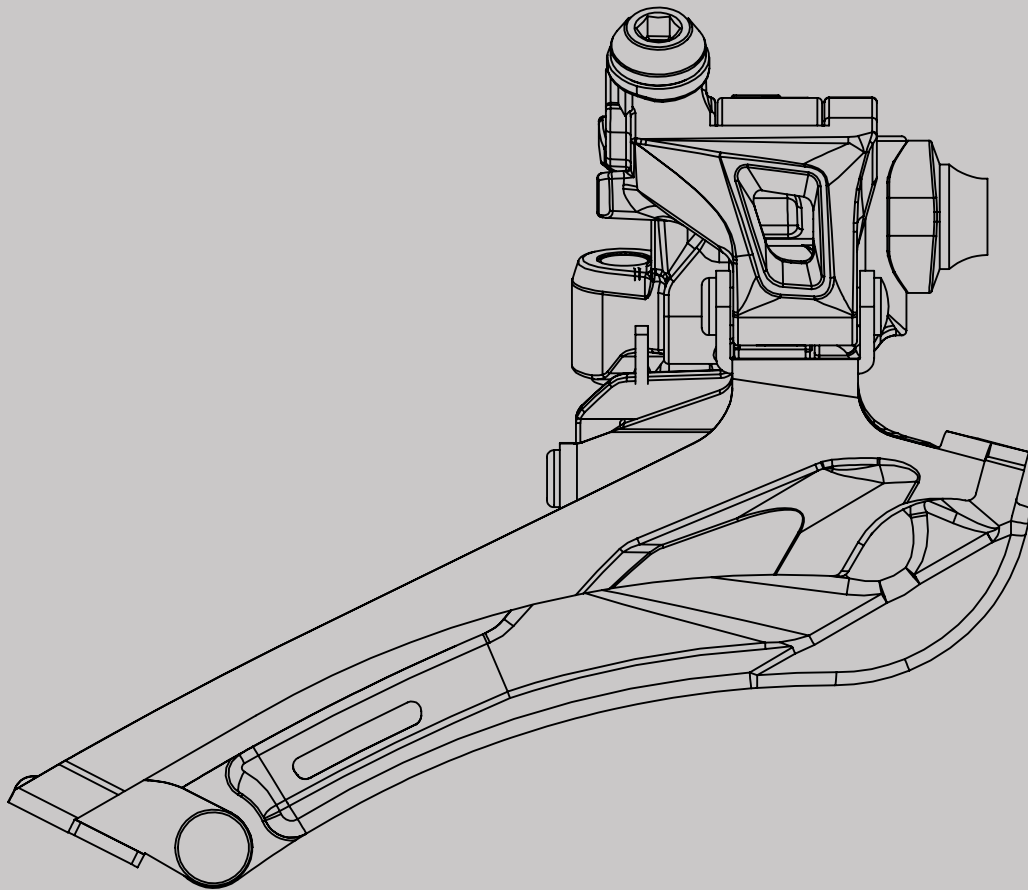


# microSHIFT

## Sword Front Derailleur Installation

† SWORD



# Important Notice

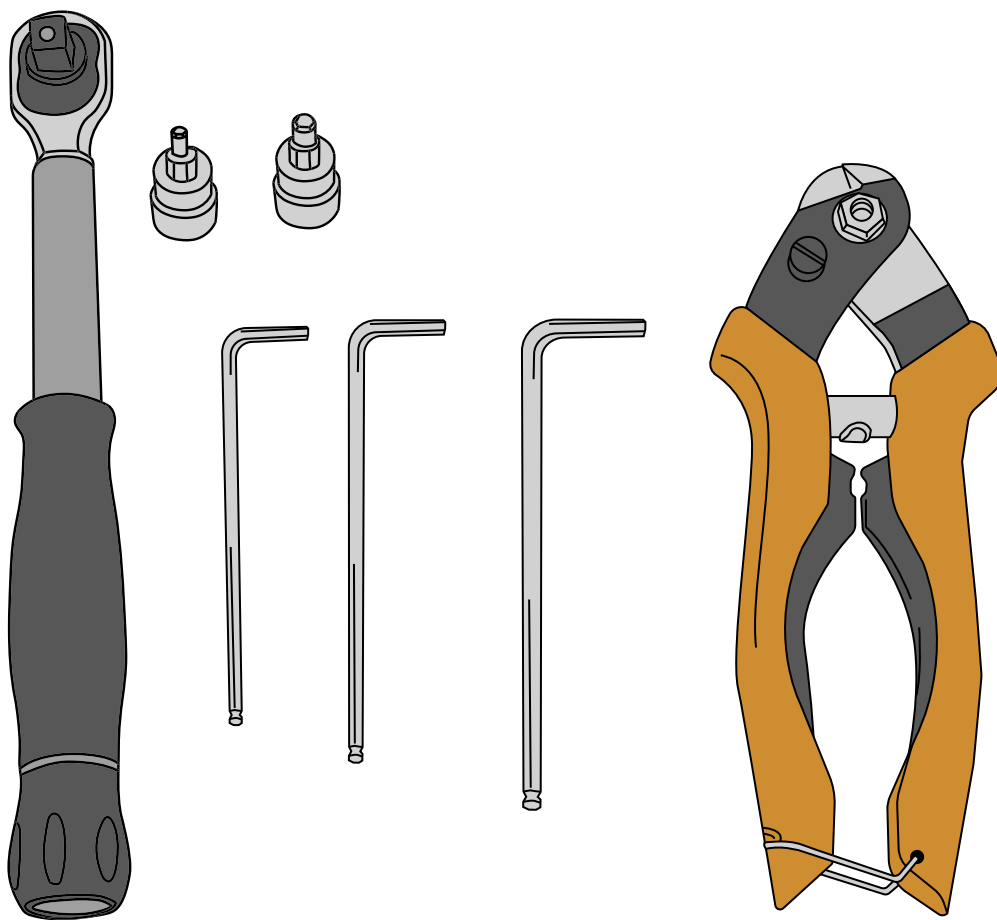


## REMINDER

Before installing the products, please read and understand the installation procedures. Improper installation can lead to premature product failures or even injuries. If you have any questions on how to install, please contact us or consult with a professional bicycle mechanic.

# Tools and Supplies

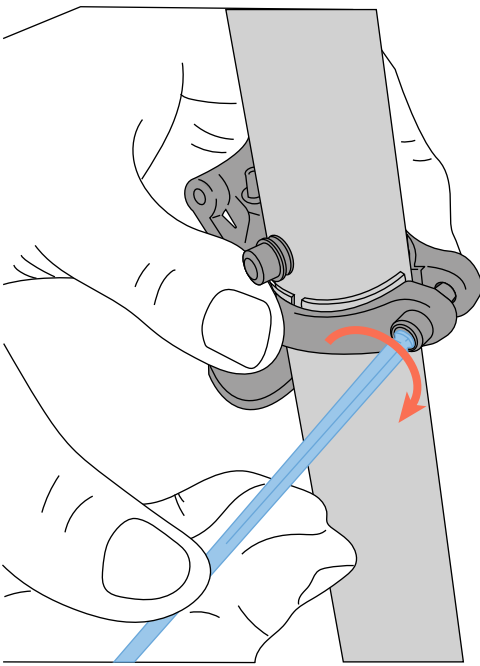
- Torque wrench
- 4mm hex bit
- 5mm hex bit
- 3mm hex wrench
- 4mm hex wrench
- 5mm hex wrench
- Cable cutter



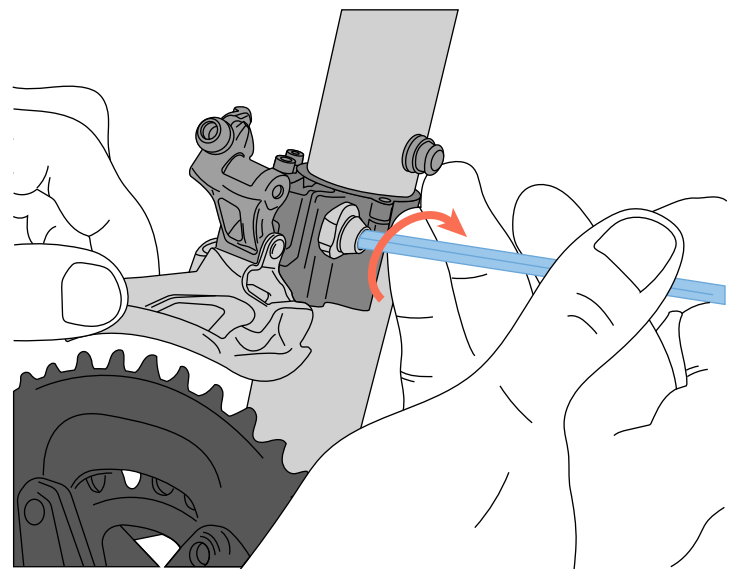
# 1.

## *Attach the derailleur to the frame*

Use a 5mm hex wrench and loosely attach the derailleur to the seat tube using the braze-on attachment or band clamp.



**Band clamp**

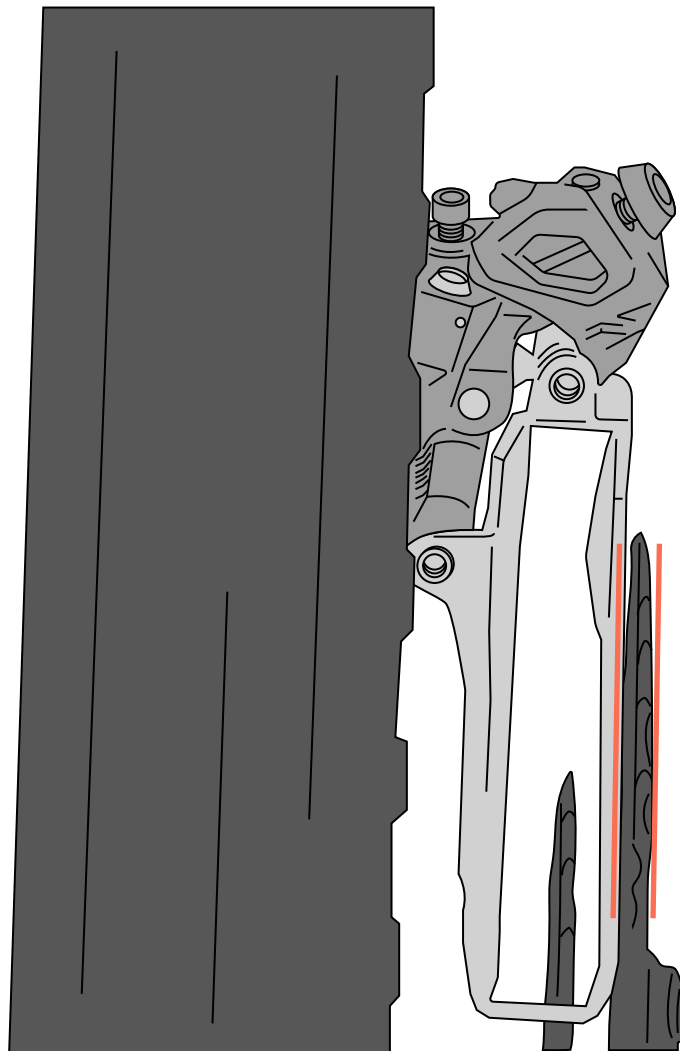


**Braze on**

# 2.

## *Attach the derailleur to the frame*

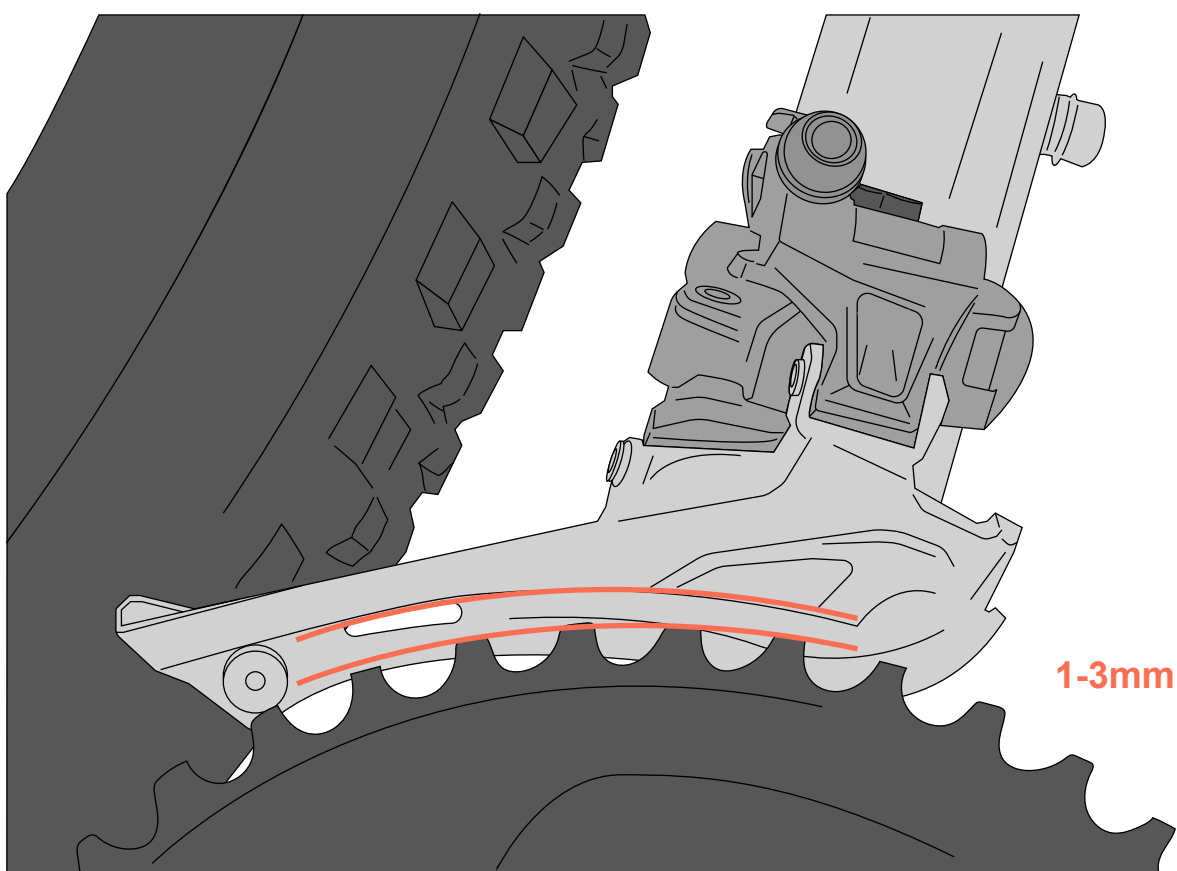
Position the derailleur so that the outer plate of the chain guide is **parallel** with the largest chainring.



# 3.

## *Attach the derailleur to the frame*

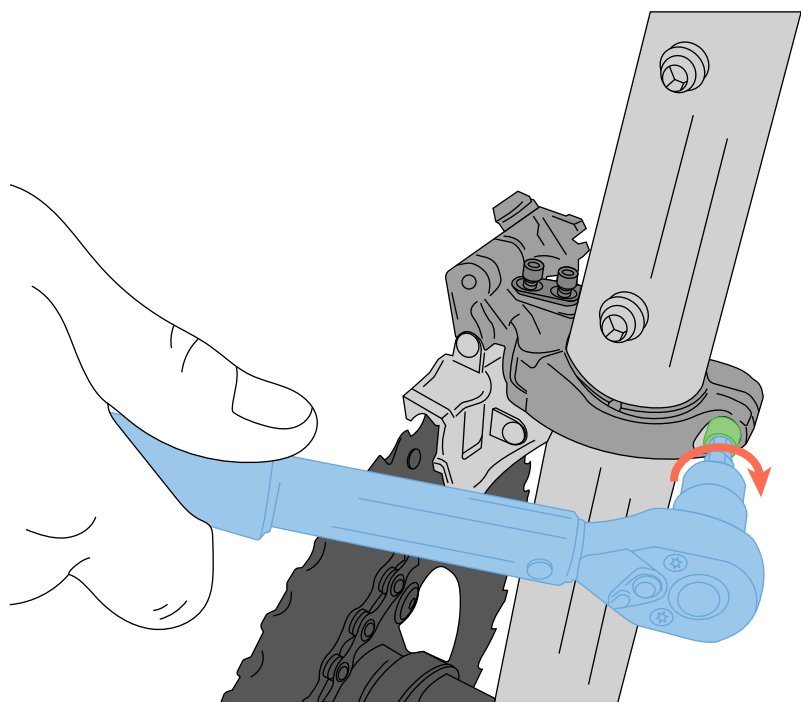
Position the derailleur so there is **1-3mm of distance between the derailleur and chainring.**



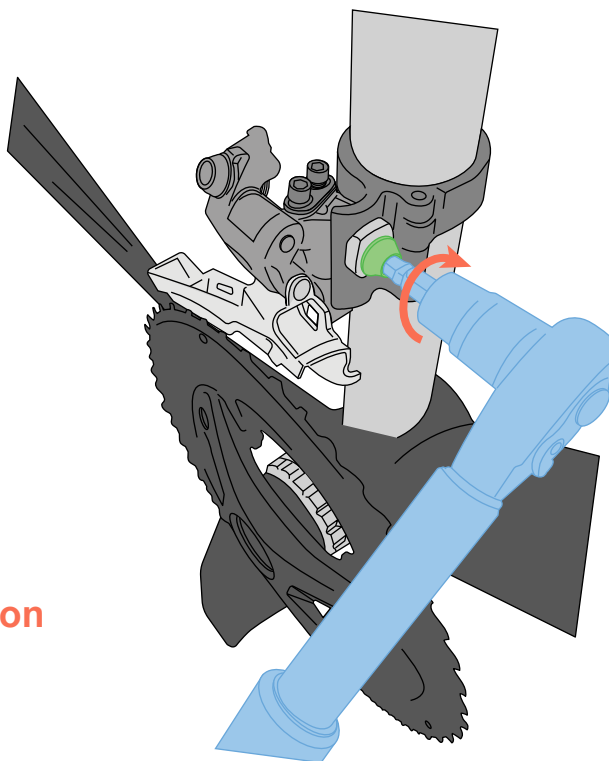
# 4.

## Attach the derailleur to the frame

Tighten the **mounting** bolt with a **5mm hex bit** to 5 - 7Nm



**Band clamp**



**Braze on**

# 1.

## *Low Limit Setup*

Route **the chain** through the rear derailleur and around the small chainring. For proper chain measurement check out the SWORD 2x rear derailleur installation manual.

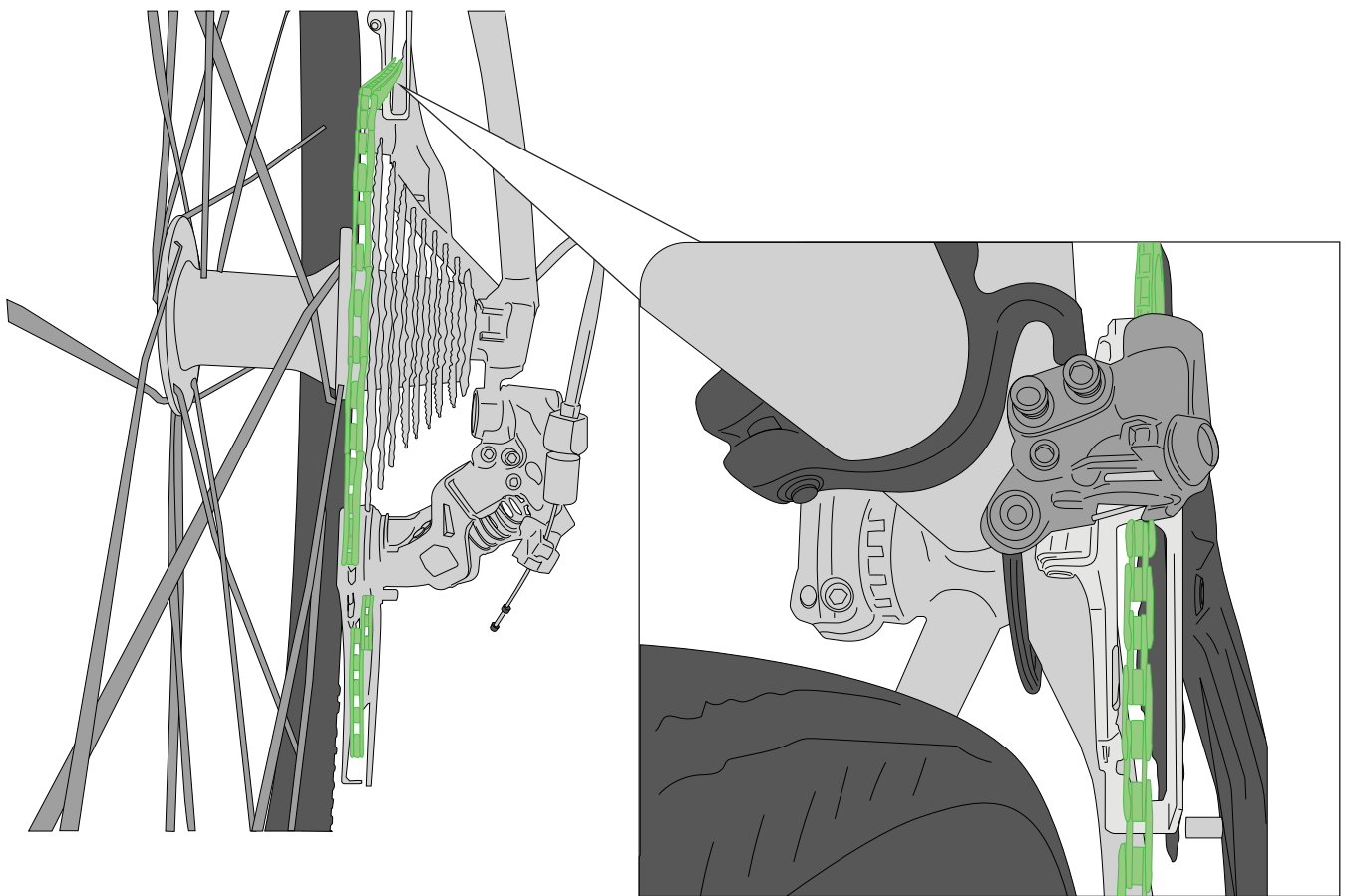




# 2.

## *Low Limit Setup*

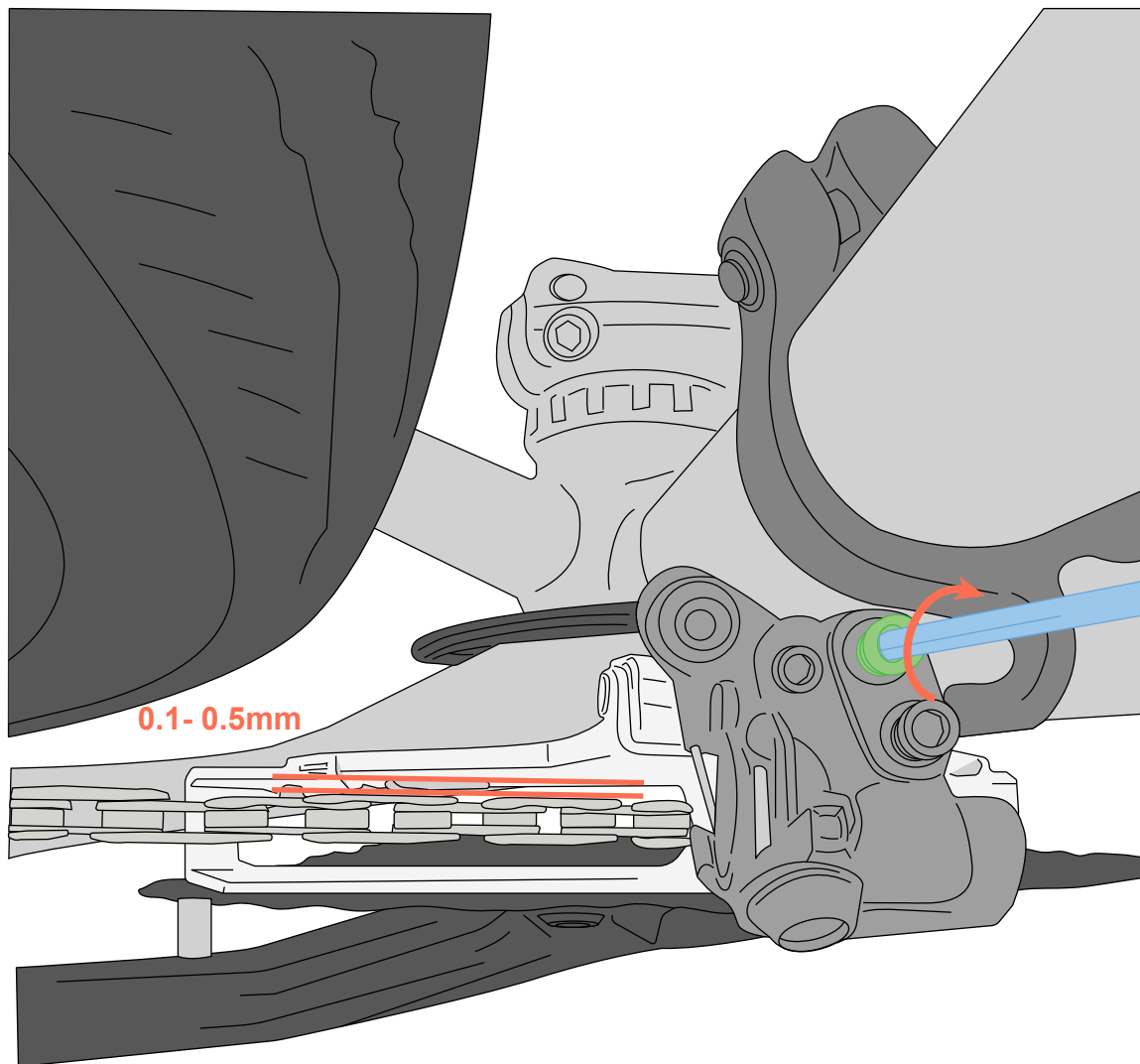
With the chain on the smallest chainring, shift the rear derailleur to the largest cog. This puts the chain at its most inboard possible position



# 3.

## Low Limit Setup

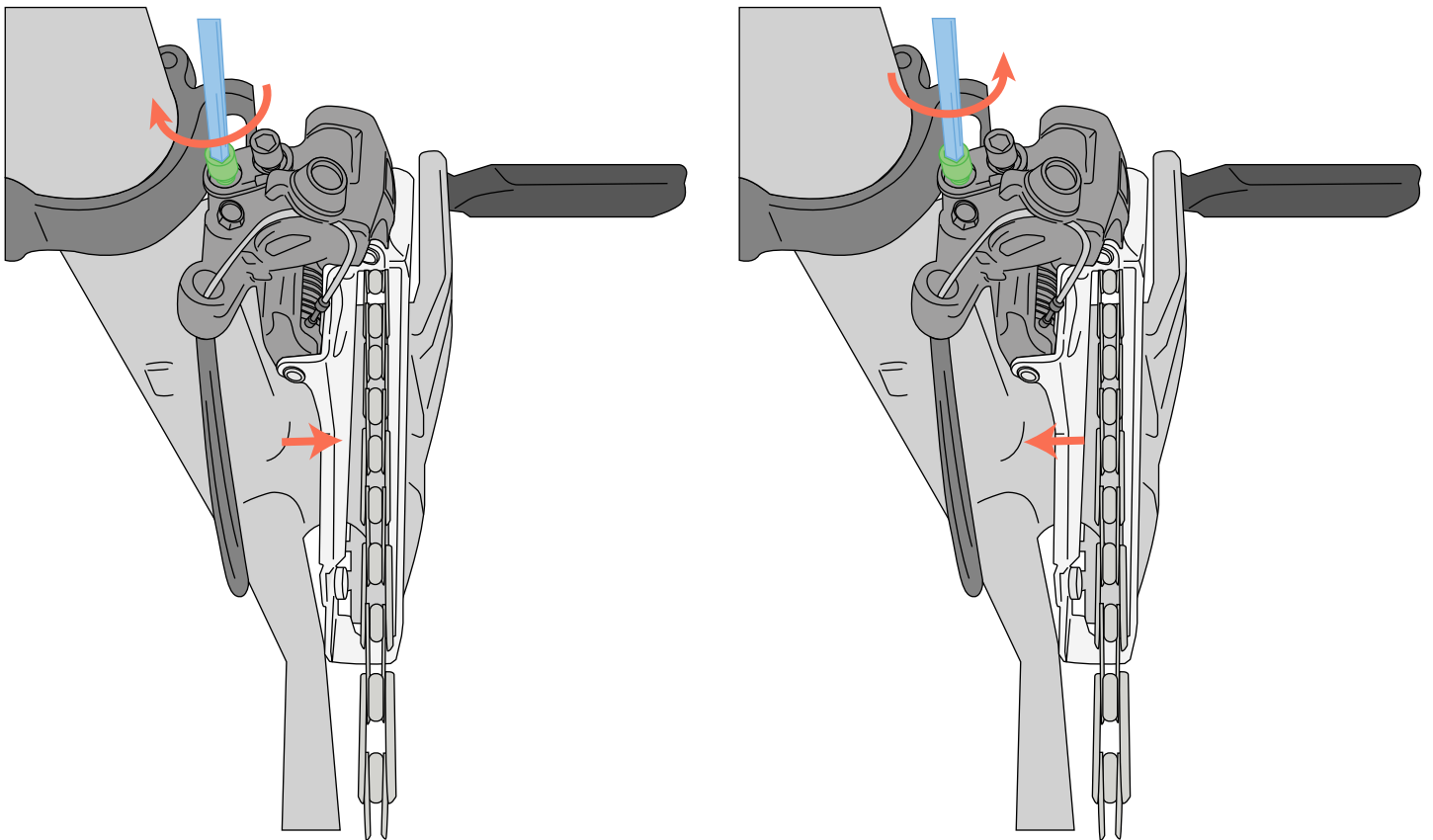
Turn the low limit screw until the space between the chain and the front derailleur's inner plate is about **0.1-0.5 millimeters**.



# 4.

## Low Limit Setup

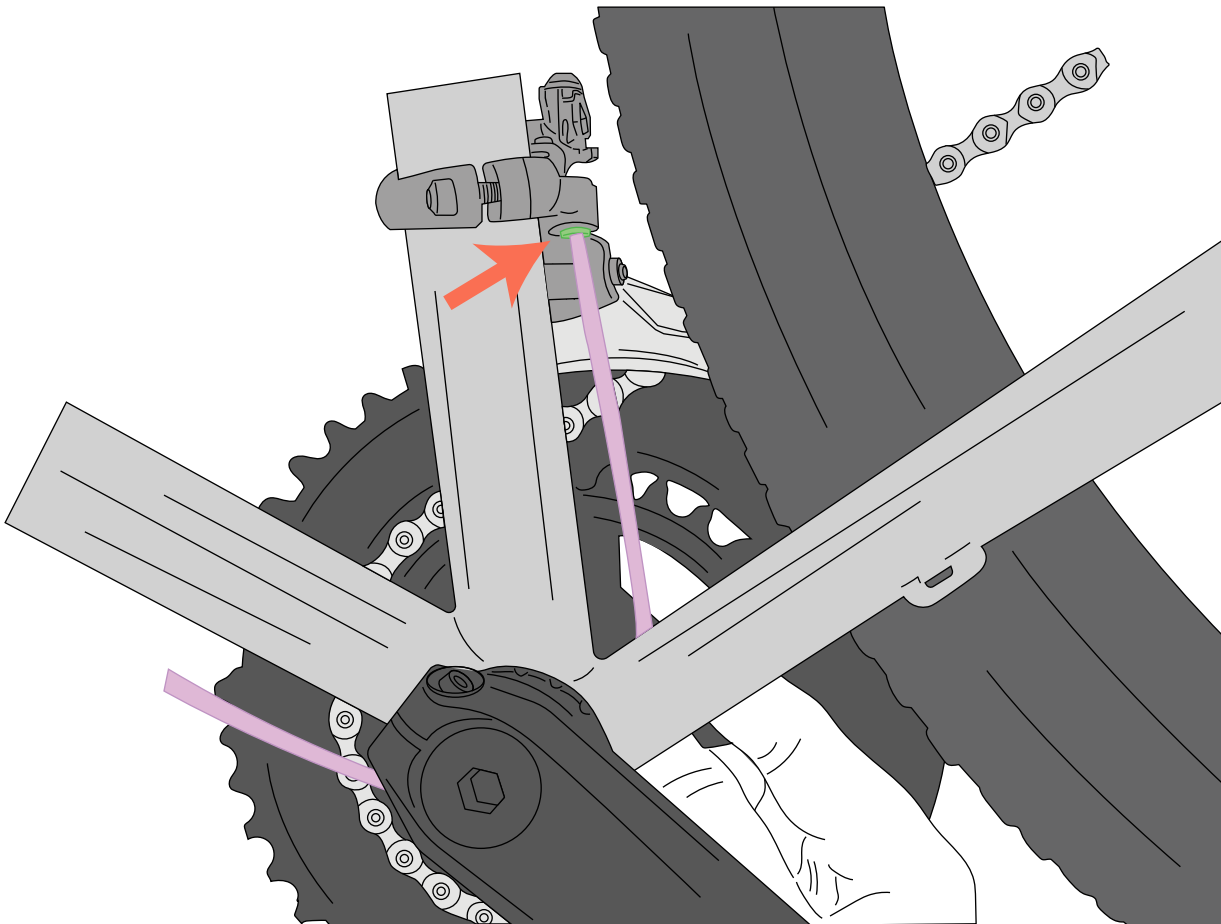
Turning the **screw** clockwise moves the cage toward the outer chainring, and turning it counterclockwise allows it to move toward the inner chainring.



# 1.

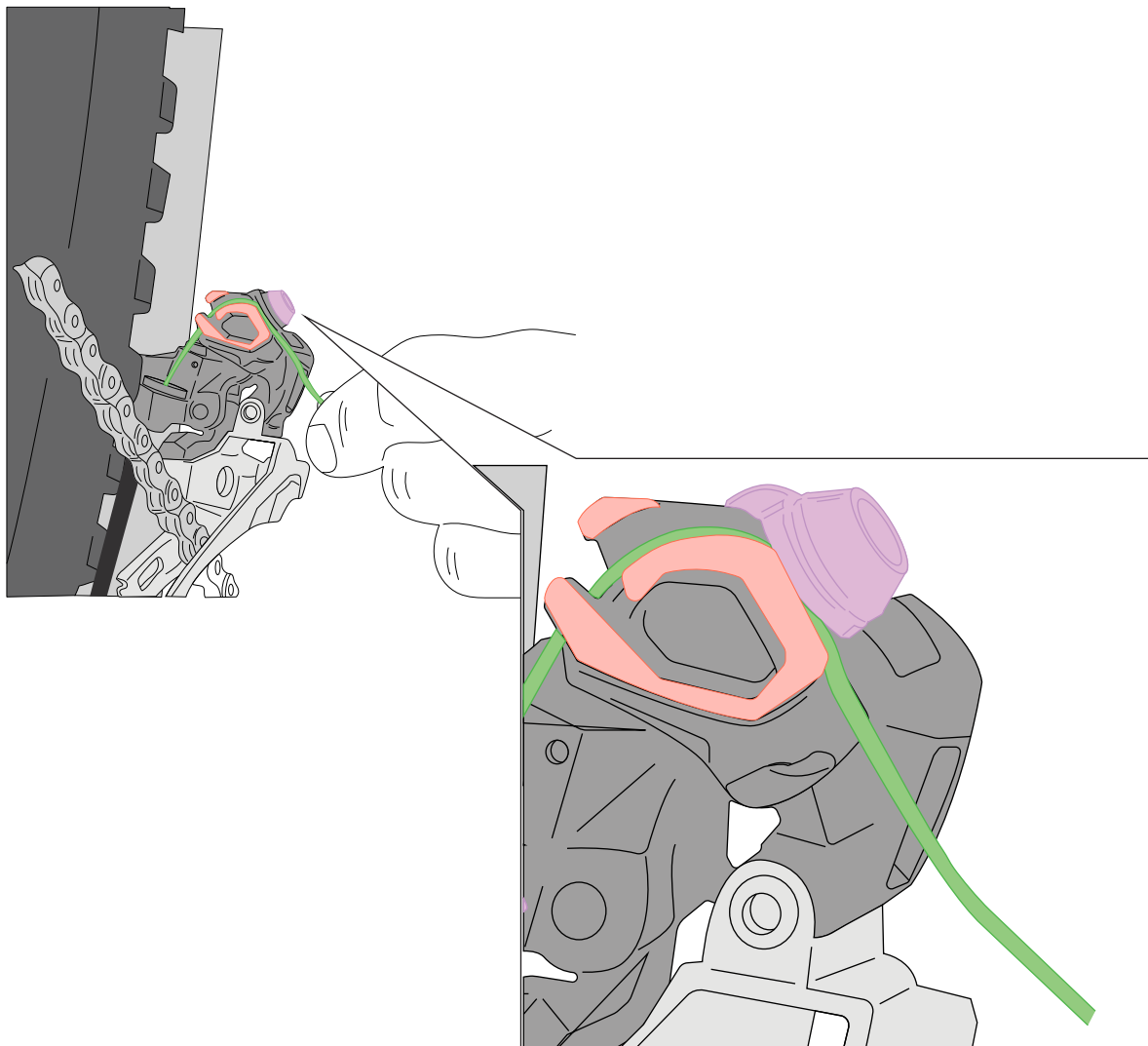
Route your shift cable and housing. Every frame manufacturer has a different cable routing guideline, so make sure you consult those first before sizing and cutting your housing.

The SWORD derailleur has a **housing stop** on the derailleur. This allows you to run **full housing** all the way to the derailleur.



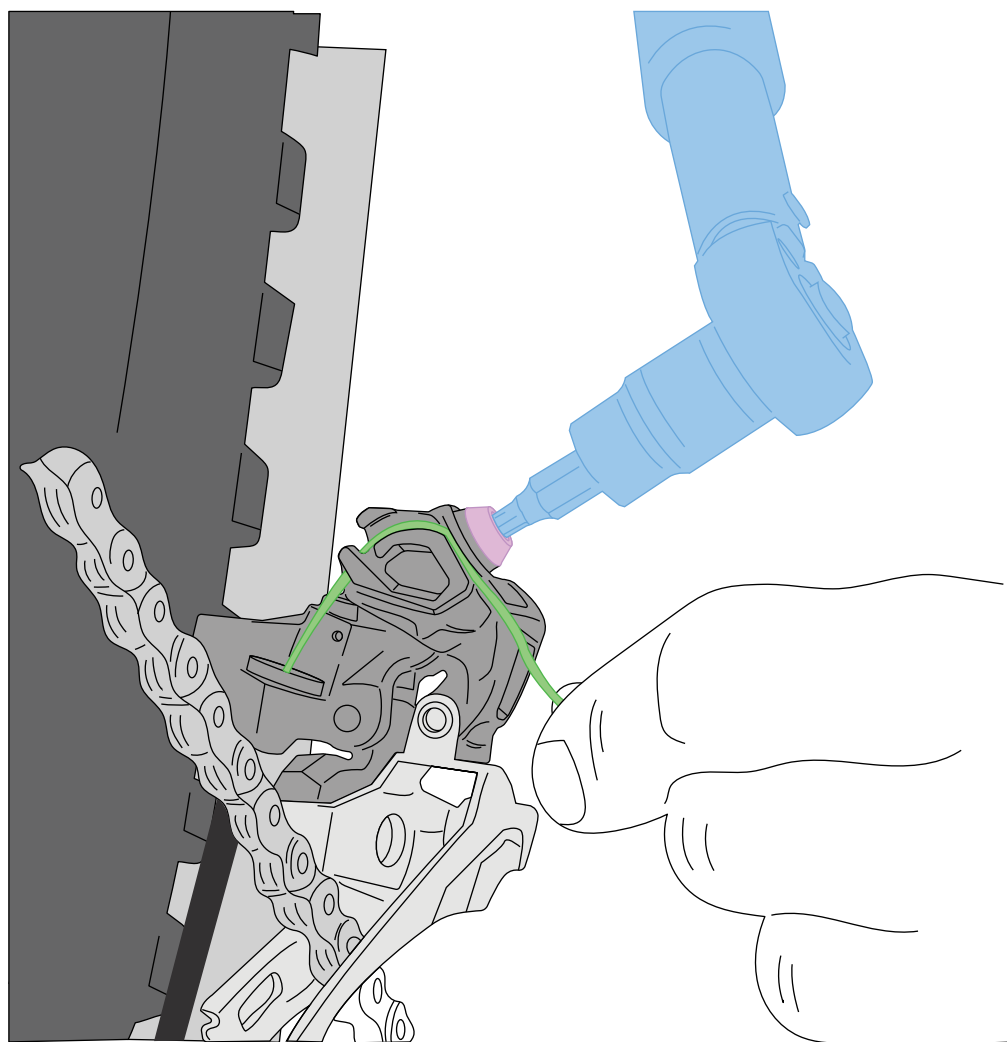
# 2.

Route the **shift cable** through the housing and out of the housing stop. Route the cable through the **cable guides** and under the **cable fixing bolt and washer**.



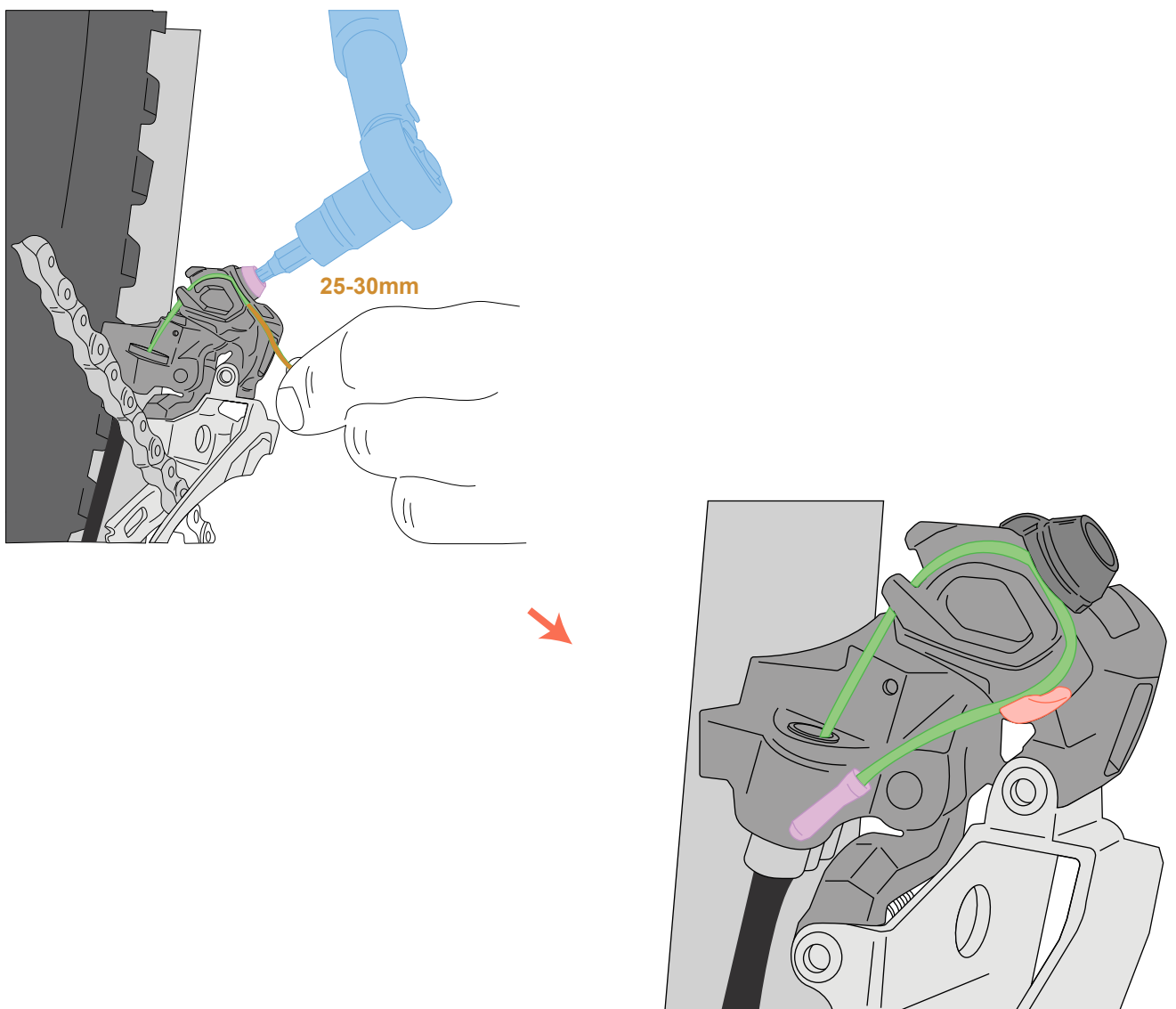
# 3.

Pull tight to remove any slack in the **green cable** and secure the **purple cable fixing bolt** to **5 - 7nm**.



# 4.

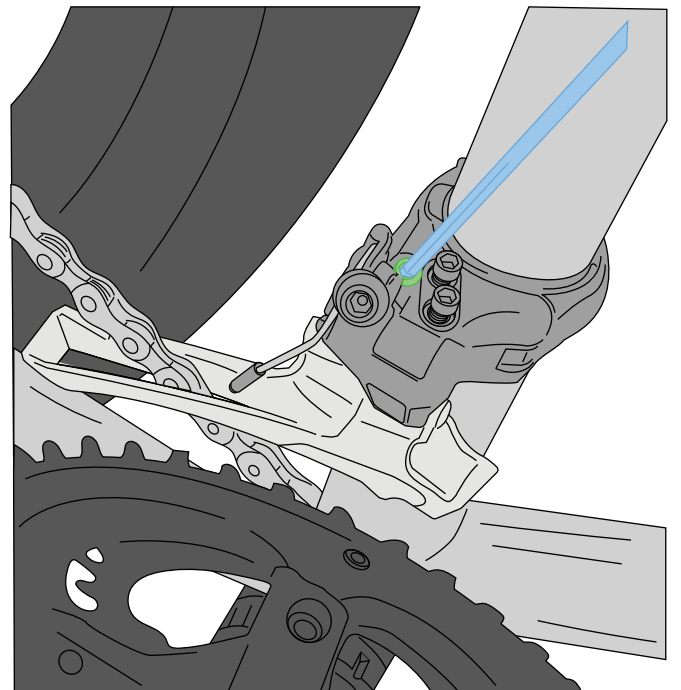
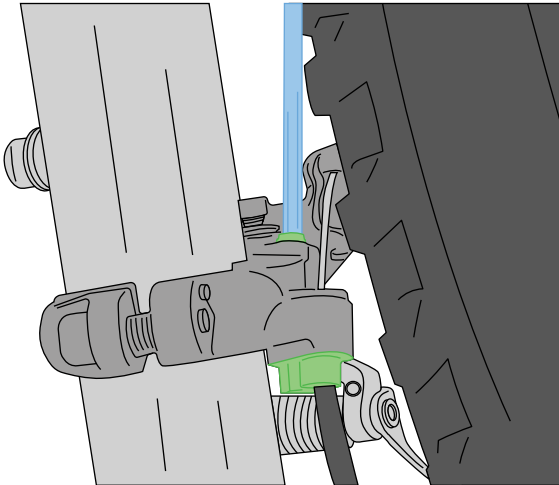
Trim the **able** 25-30mm from the pinch bolt, add a **able end**, and place the end of the cable in the **guide** below the pinch bolt.



# 1.

## Cable Adjustment

The SWORD front derailleur comes with a built-in **cable tension adjustment screw**.

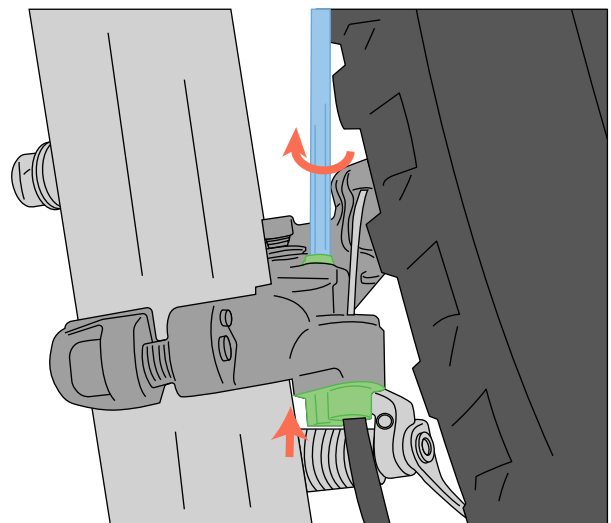
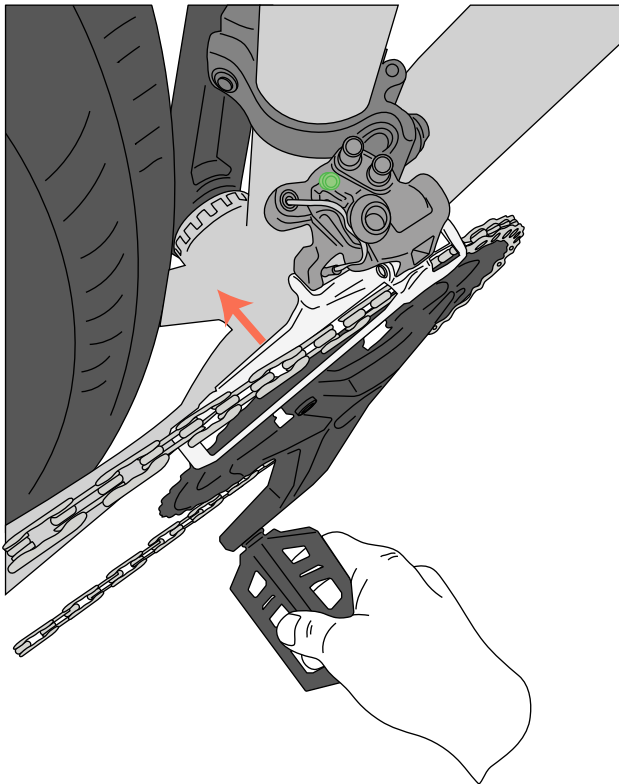




# 2.

## Cable Adjustment

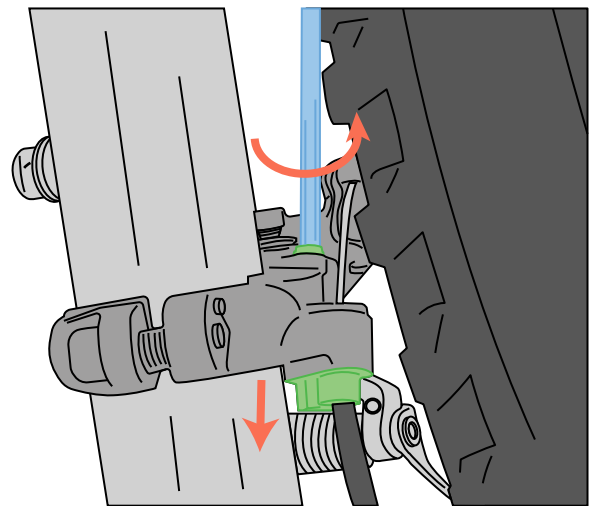
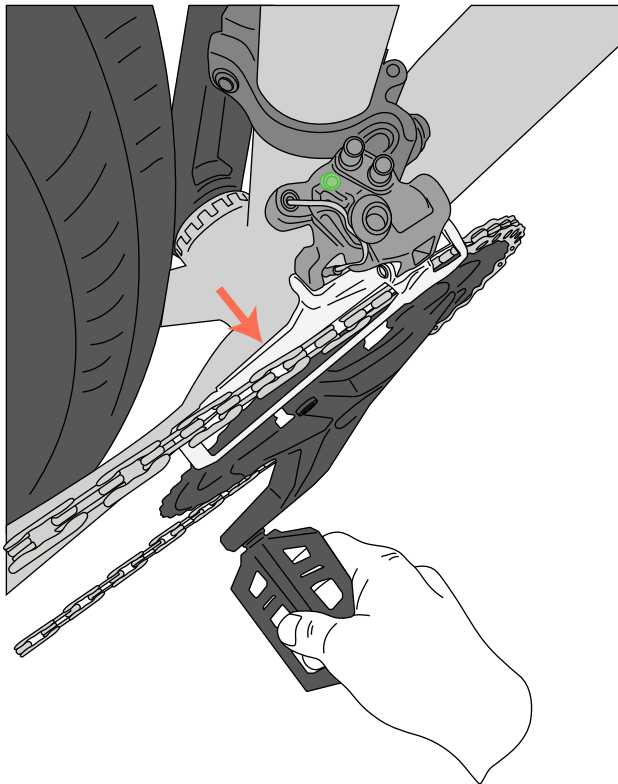
Shift between chainrings. If the chain struggles to shift from the largest to smallest chainring, your cable is too tight. Use a **3mm hex wrench** and turn the **cable tension adjustment screw** clockwise to decrease cable tension. Make incremental adjustments. Test the derailleur for function after each adjustment.



# 3.

## Cable Adjustment

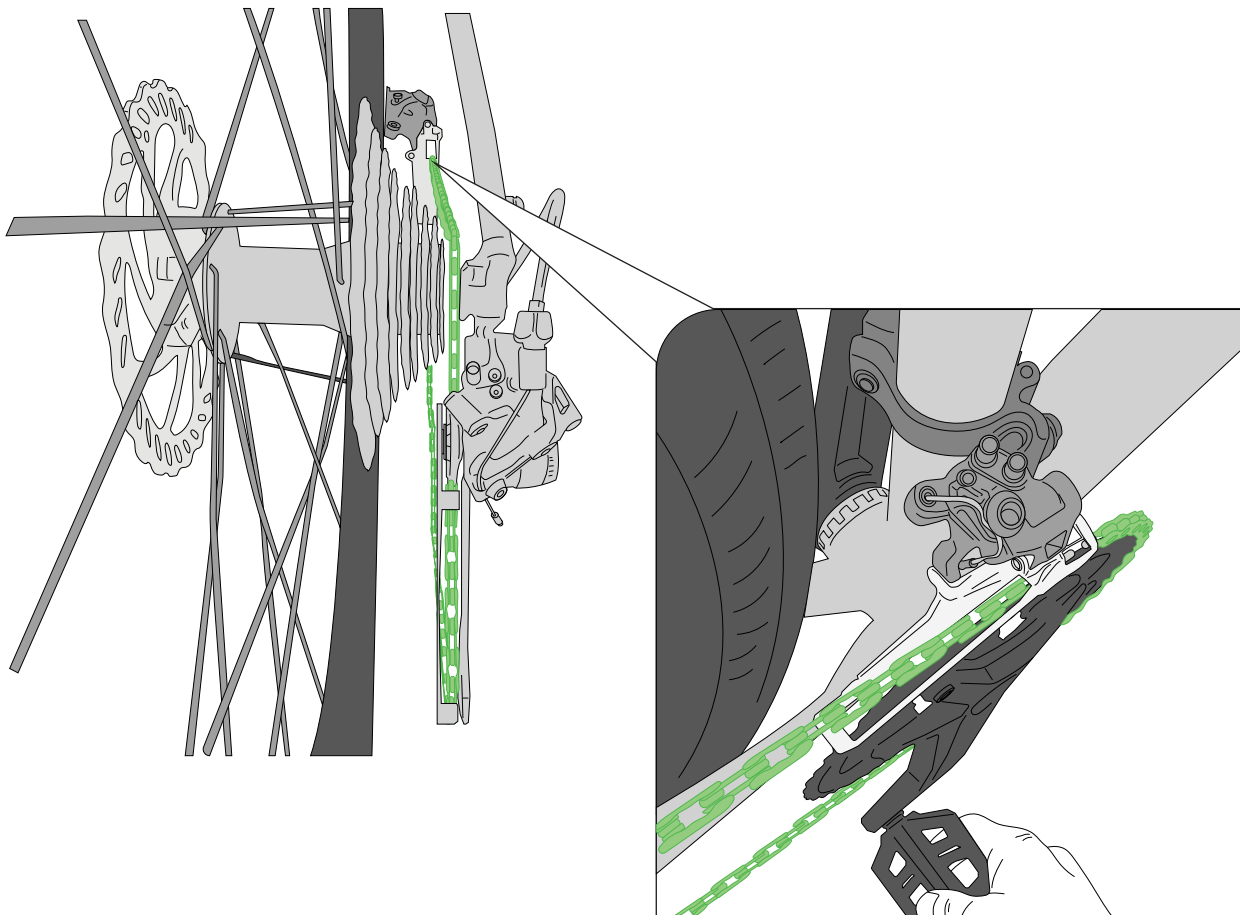
Shift between chainrings. If the chain struggles to shift from the smallest to largest chainring, your cable is too loose. Use a **3mm hex wrench** and turn the **cable tension adjustment screw** counterclockwise to increase cable tension. Make incremental adjustments. Test the derailleur for function after each adjustment.



# 1.

## *High Limit Adjustment*

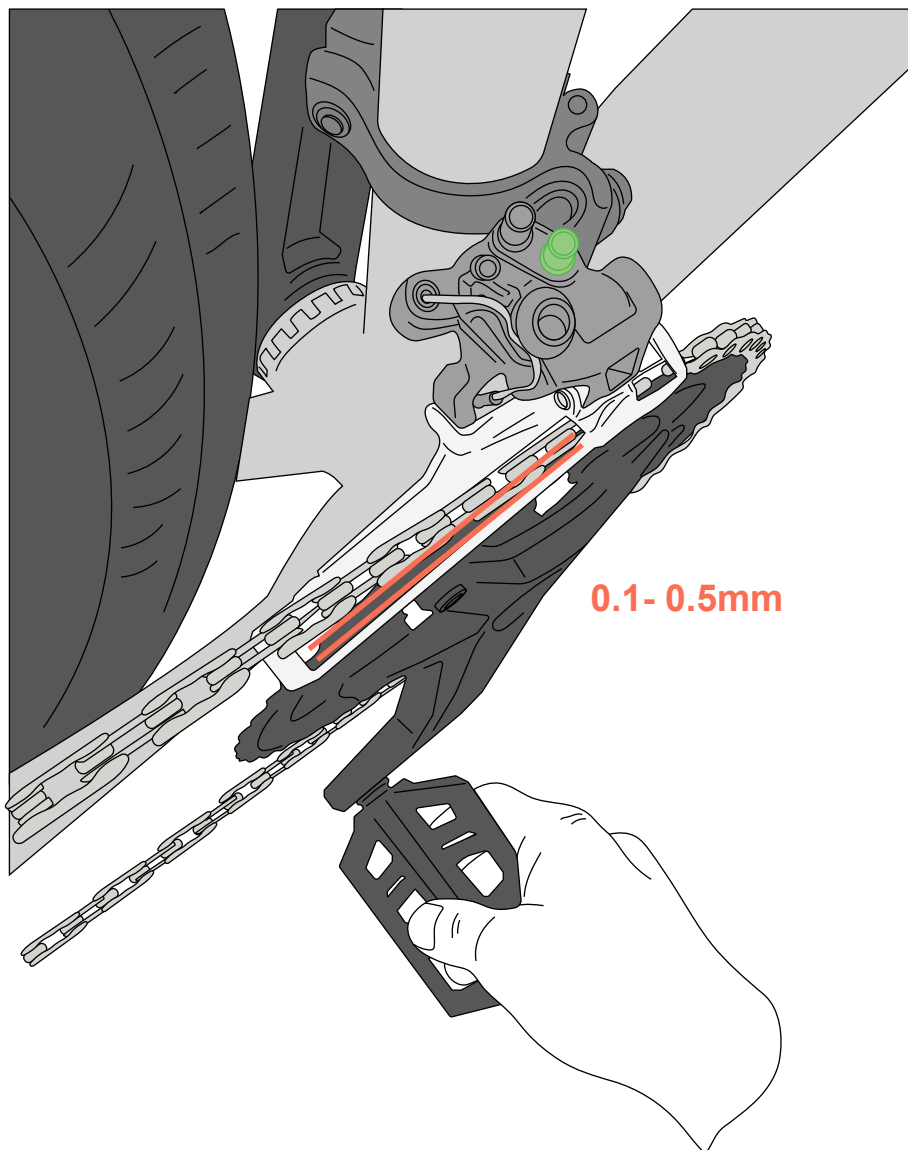
Shift to the largest chainring and smallest cog on the cassette. This puts the **chain** at its most outboard possible position.



# 2.

## High Limit Adjustment

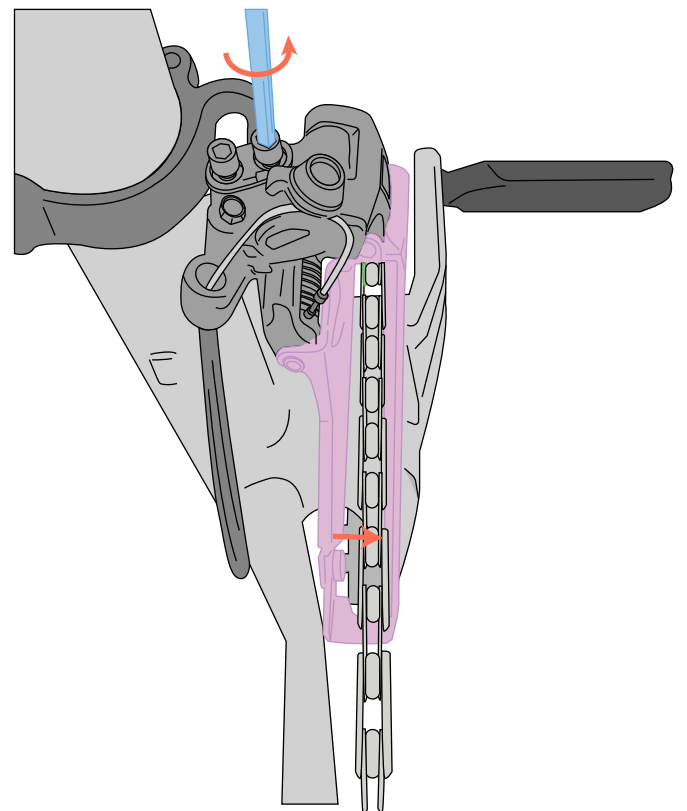
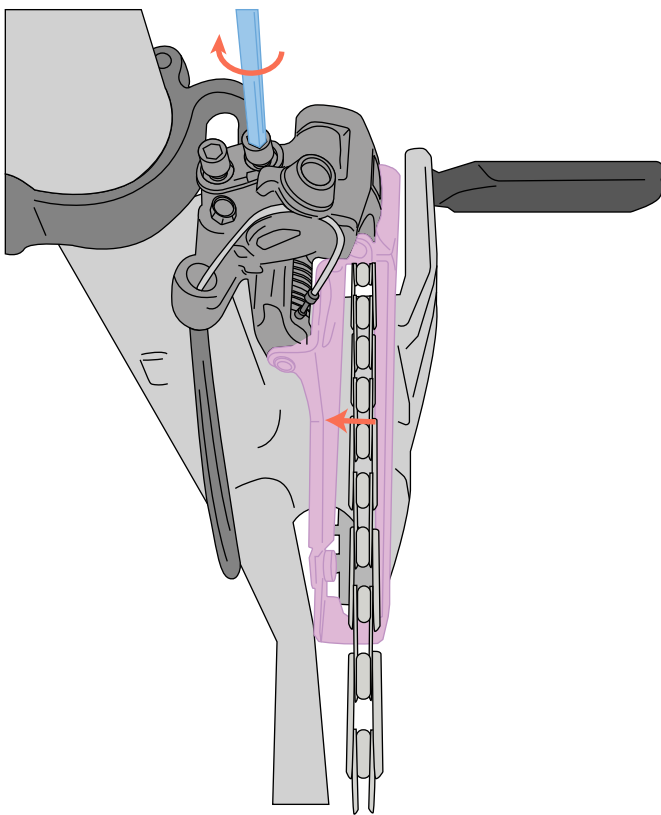
Turn the **high limit screw** until the gap between the chain and the outer plate of the derailleur is about **0.1-0.5mm**.



# 3.

## High Limit Adjustment

Turning the screw clockwise moves the **cage** towards the inner chainring. Turning the screw counter clockwise allows the **cage** to move toward the outer chainring.



# microSHIFT



[www.microSHIFT.com](http://www.microSHIFT.com)