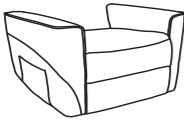

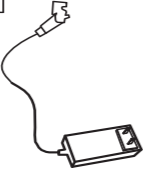

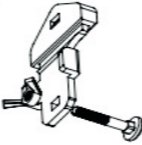
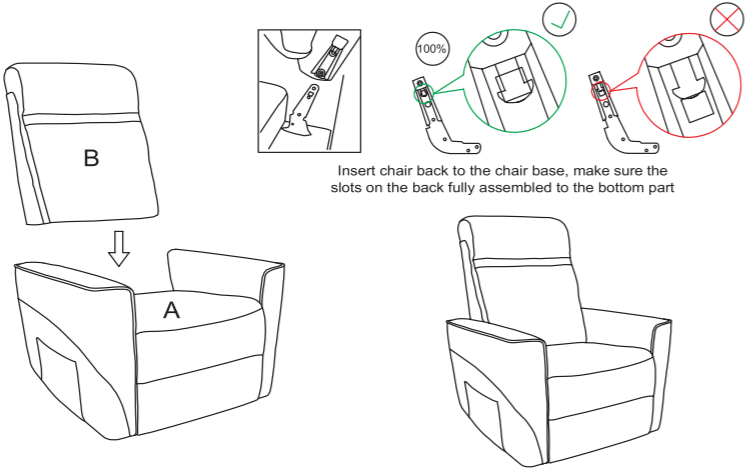


ITM.8022 #

Electric Lift Chair Assembly Instruction

A 	B 	C 	D 	E 
Chair base	Backrest	Power source	Remote control	Anti-fall bracket*2

STEP1



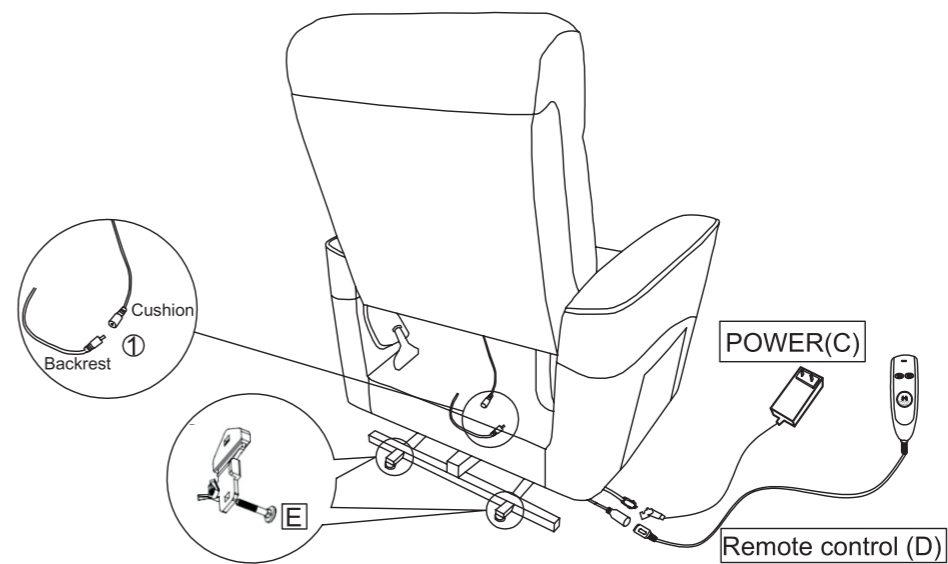
Insert chair back to the chair base, make sure the slots on the back fully assembled to the bottom part

1

Electric Lift Chair Assembly Instruction

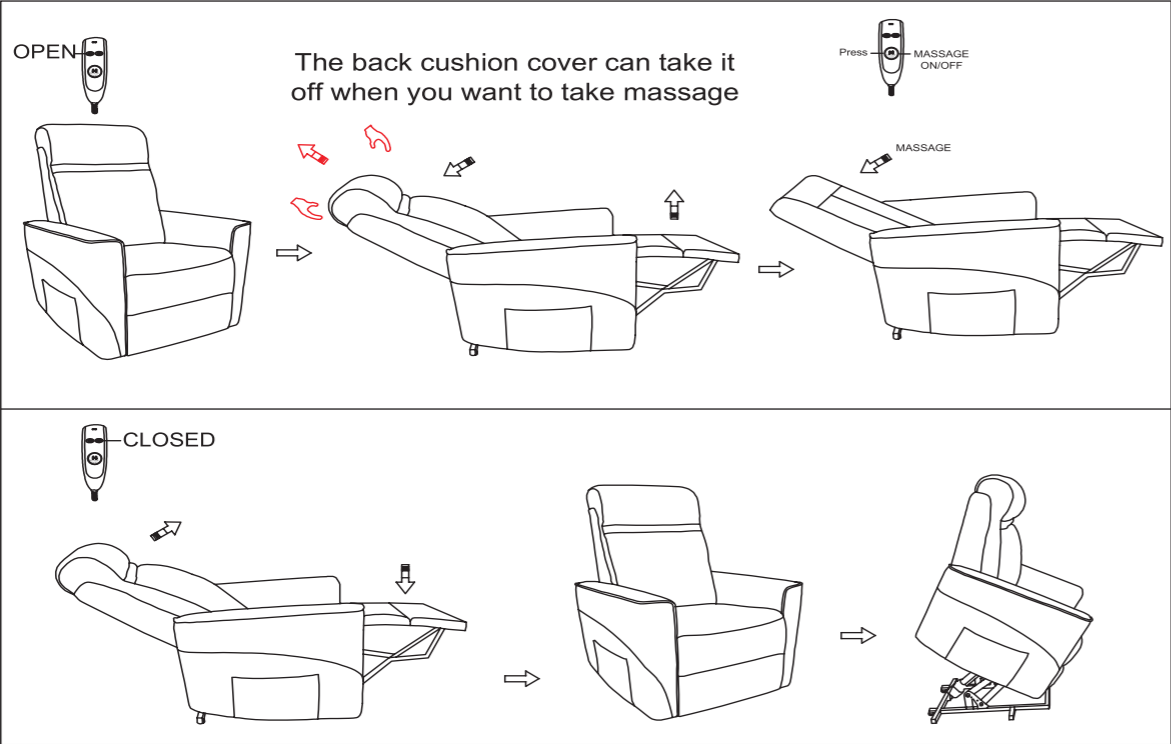
STEP2

- 1.Motor connection power supply
- 2.wire connect the motor and power source (C).
- 3.wire connects with backrest and remote control(D).



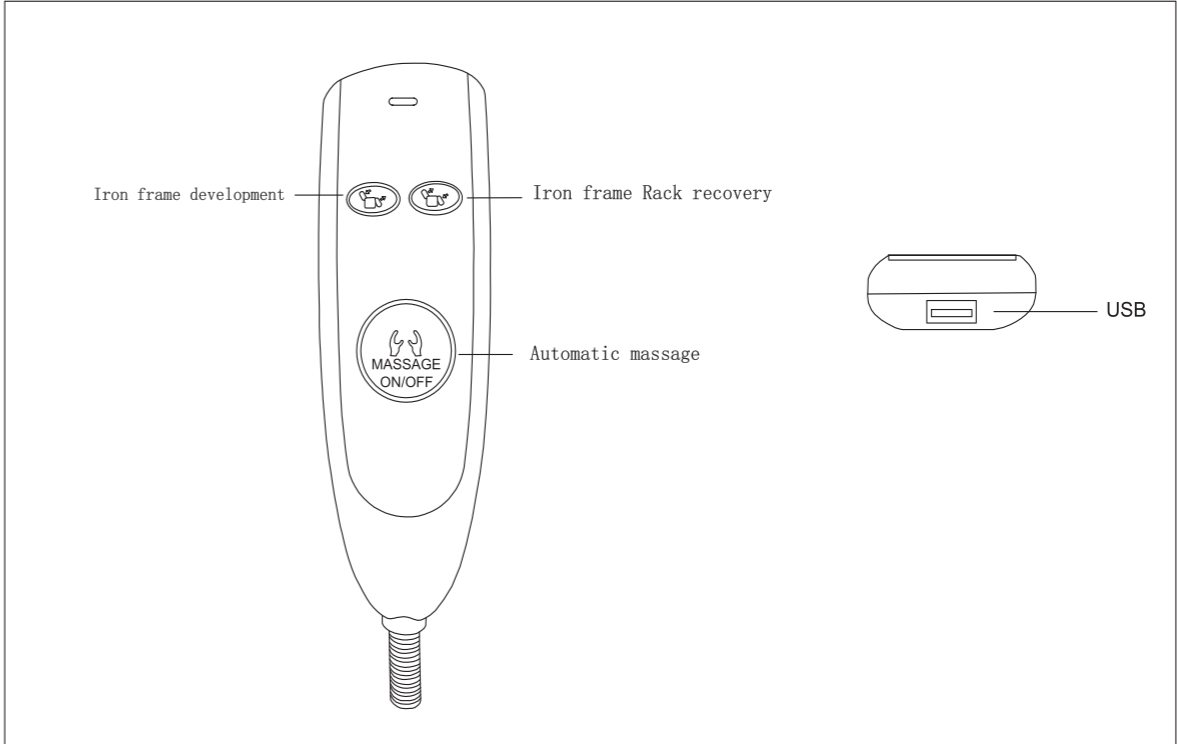
2

Electric Lift Chair Assembly Instruction



3

Electric Lift Chair Assembly Instruction



4