

SPLIT-CORE CURRENT TRANSFORMER

JS36SL-XXX-100mA

UL US E344623 CE RoHS



JS series of split-core current transformer offers 100mA at secondary from sensed primary current. Without using secondary CT inside of meter, users directly connect JS series to a meter for high accuracy metering application. It enables one meter to be adopted for various current rating by only changing primary CT so it makes compact design meter and reduces developing cost. Also, over-voltage protection circuit is included to offer safe, fast and cost effective installation.

APPLICATIONS

- Power meter
- Switchgear
- Distributed measurement systems
- General Sets
- Control panels

BENEFITS

- Small-size, light-weight
- Simple Installation
- Over-Voltage protection circuit is installed.



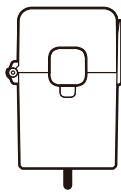
FEATURES

- PC spring, output-terminal, secure locking hinge, one-touch structure make easy to install to the existent equipments such as a power distribution boards.
- Isolated plastic case recognized according to UL94-V0
- UL / EN 61010 - 1 certified

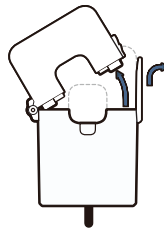
NOTICE

- Core contact surface is waterproofed, however if it gets rusty, you could reuse after removing rusts with spraying WD-40 or CRC5-56 on the rusted side.
- Do not use any other chemicals except WD-40 or CRC5-56 on housing or any other parts.
- Customizing output lead wire

HOW TO USE 1



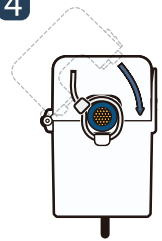
2



3



4



SPECIFICATION

(F=50/60Hz)

Accuracy	Class 1.0
System Voltage	720V(0.72kV)
Overload withstand	1.2 times rated current continuously
Compliant with	IEC/EN61869-2 & IEC61010-1
Operating Temperature Range	-20°C to 55°C
Relative Humidity	0-85% non-condensing
Test Voltage	3kV for 1minute
Frequency Range	50/60Hz
Protection Level	3.0V0-P
Insulation Category	CAT II or CATIII 600VAC

CURRENT TRANSFORMER RATIOS

How to Order / Model Reference

eg **JS36SL 000 100 mA**

Model **JS36SL**

Primary Current

Select code from ratio table

Secondary Voltage

333mV

100 mA

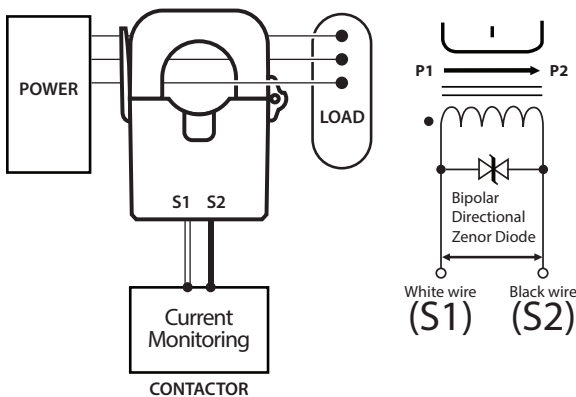
Current Transformer Ratios

Primary Current (A)	Metering Burden (VA)			Code
	cl. 0.2S	cl. 0.5S	cl. 1	
	cl. 0.3	cl. 0.6	cl. 1.2	
300			0.05	300
400			0.05	400
500			0.05	500
600			0.05	600

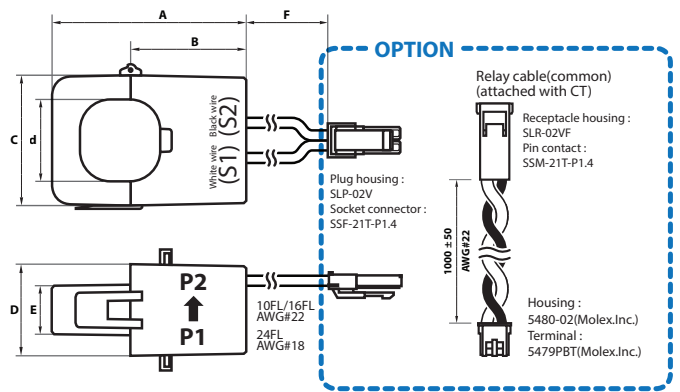
100mA Secondary

Accuracy conforms to IEC 60044-1 & IEEE/ANSI C57.13 meets the measuring range from 1 to 120 % of I_n

APPLICATIONS



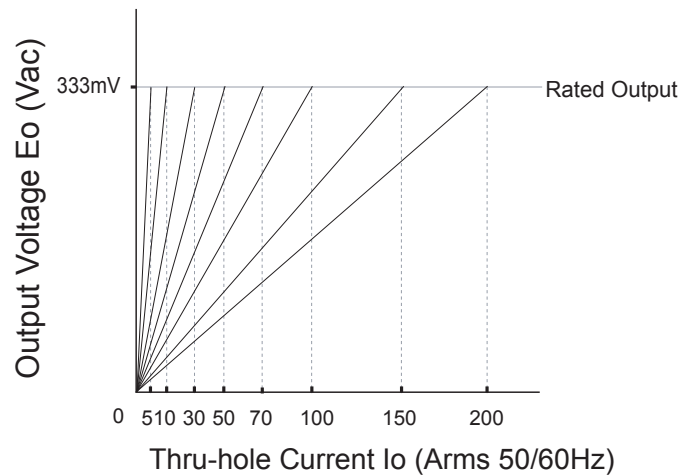
DIMENSIONS



Unit : mm

Model	A	B	C	D	E	F	Ød
JS36SL	82.4	48	57.1	40.2	21.1	200±20	36

ACCURACY DATA



CAUTION: DANGER

- HAZARD OF ELECTRIC SHOCK, EXPLOSION, OR ARC FLASH**
- In order to guarantee safe operation of the transformer, please read and understand the instructions thoroughly. For your reference, see NFPA 70E in the USA, or applicable local codes.
 - This equipment must only be installed and put into operation by qualified electrical personnel or appropriately trained individual.
 - Before servicing the CTs, turn off all sources of power and use a properly rated voltage sensing device to check if the power is off.
 - Current transformer secondary must be shorted or connected to a burden all times.
 - The transformer (split core type) must not be operated when it is not fully closed or the installation is not completed.
 - Rearrange all covers and protective devices before powering the equipment.

NOTICE

- This product is not intentionally made for safety applications.
- Make sure not to install this transformer in hazardous or classified areas.
- The installer is responsible for conformance to all applicable codes.
- Ignoring the warnings can lead to serious injury and/or cause damages.
- A qualified person is the one who is skilled and has knowledge about the construction and operation of this electrical equipment, and has received safety training to recognize and avoid the hazards involved. (NEC2011 Article 100)
- If this product is used in a way not specified by the manufacturer, the protection offered by the product may be impaired. No responsibility is taken by J&D Electronics for any consequences arising by not following this material properly