

SPLIT-CORE CURRENT TRANSDUCER

JS36S-XXX-V



Split-core current transducer for the electronic measurement of AC waveform currents, with galvanic isolation between the primary circuit (power) and the secondary circuit (measurement). 0-5V DC output proportional to the RMS value of the primary current.

APPLICATIONS

- Automation and Supervision
- Safety and Condition Monitoring
- HVAC & Pumps
- Refrigeration
- Small Industrial Motors
- Fans / Lighting

BENEFITS

- High isolation between primary and secondary circuits
- Compact case
- Cost-effective solution
- Easy installation

FEATURES

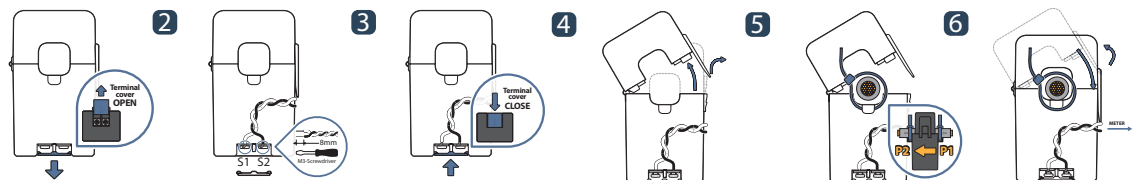
- Self-powered and loop-powered versions
- Operating range: -20°C to +60°C
- Isolation test voltage : 3kV RMS / 50Hz / 1 min
- Sensing aperture : 36mm (for non-contact measurement)
- UL94-V0 recognized materials

NOTICE

- Current transformer and RMS circuit in a single case
- Choice of primary current ranges: 400 - 500A RMS
- Choice of standard output types: 0-5V DC
- Accuracy: <2% of nominal primary current
- Bandwidth: 50/60 Hz



HOW TO USE 1

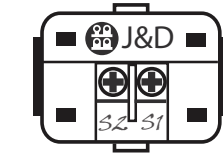
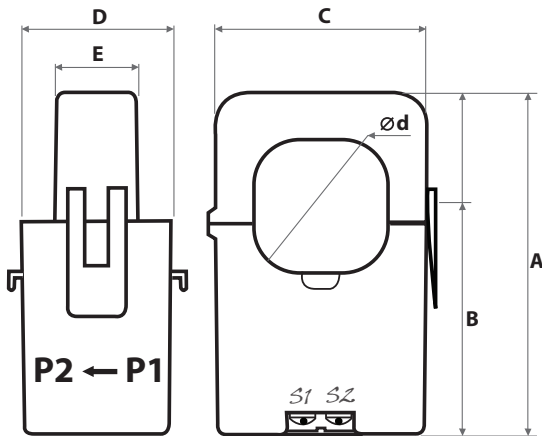


SPECIFICATION

(F=50/60Hz)

Model	JS36SXXX-V / $\phi 36$
Amperage Range	400 - 500A
Max. Allowable Current	120%(Continuous)/ 150%(1 mim.)
Output	0-5V DC Output Impedance 5.8k Ω (Self Power) & Average output
Accuracy / Linearity	$\pm 2\%$ FS. Dynamic Range 1:100 at 50/60Hz Sinewave
Sensor Supply Voltage	24V DC Loop Power (20-30 V DC(25mA Max.)
Installation Category	100ms
Output Ripple Voltage	Within 2% of Output Voltage
Output Terminals	2 x M3-Screw, with Terminals cover
Insulation Category	CATIH
Operating Condition	-20°C~+50°C, <85%RH, No condensation, In-house & Any direction installable
Storage Condition	-30°C~+90°C/ $\leq 85\%$ RH, No condensation

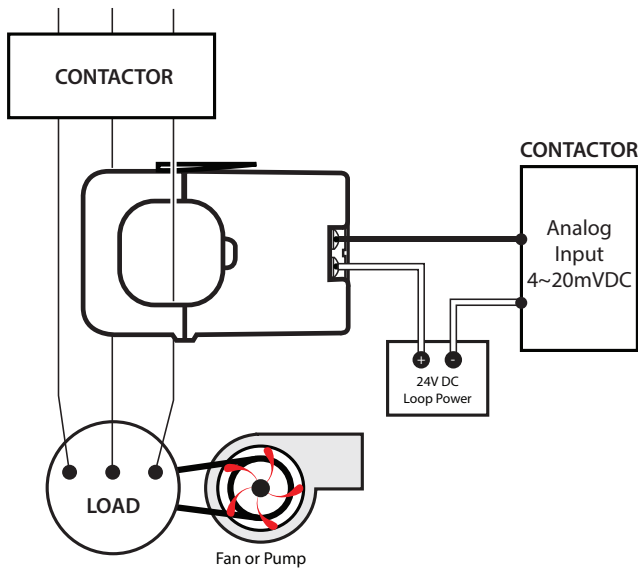
DIMENSIONS



Unit : mm

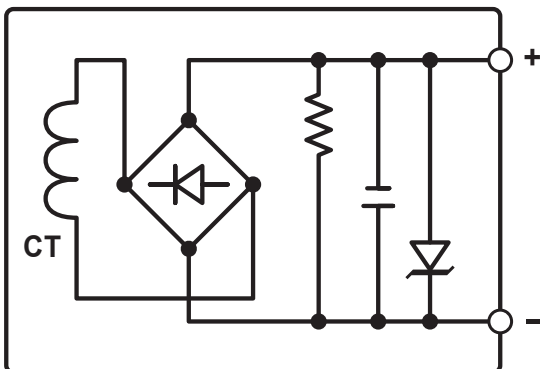
Model	A	B	C	D	E	Ød
JS36S	91	62	57	40.5	22	36

APPLICATIONS



OUTPUT VOLTAGE DATA

• JSXXX-XXX-V/VH



⚠ CAUTION: DANGER ⚠

HAZARD OF ELECTRIC SHOCK, EXPLOSION, OR ARC FLASH

- In order to guarantee safe operation of the transducer, please read and understand the instructions thoroughly. For your reference, see NFPA 70E in the USA, or applicable local codes.
- Certain parts of the module may carry hazardous live voltage when the transformers being operated (e.g. primary conductor, power supply).
- This equipment must only be installed and put into operation by qualified electrical personnel or appropriately trained individual.
- Before servicing the CTs, disconnect all sources of power and use a properly rated voltage sensing device to check if the power is off.
- Make sure to install the transducer only on insulated conductors.
- Do not depend on this product for voltage indication
- Use the product in a Pollution Degree 2. A Pollution Degree 2 environment must control conductive pollution and the possibility of condensation or high humidity. Regard the enclosure, thermal properties of the equipment, the proper use of ventilation and the relationship in surroundings.

NOTICE

- This product is not intentionally made for safety applications.
 - The installer is responsible for conformance to all applicable codes.
 - Ignoring the warnings could result in serious injury and/or cause damages.
 - Do not install and use this transducer in hazardous or classified areas.
 - If this product is used in a way not specified by the manufacturer, the protection offered by the product may be impaired.
- No responsibility is taken by J&D Electronics for any consequences arising by not following this material properly.