

# SPLIT-CORE CURRENT TRANSFORMER

## JC08W-mA Series

UL US E344623 CE RoHS



### APPLICATIONS

- Energy sub - meter
- Power meters
- Power quality monitoring
- HVAC&Pumps, etc
- Distributed measurement system

### BENEFITS

- Small-size, light-weight
- Simple Installation

### FEATURES

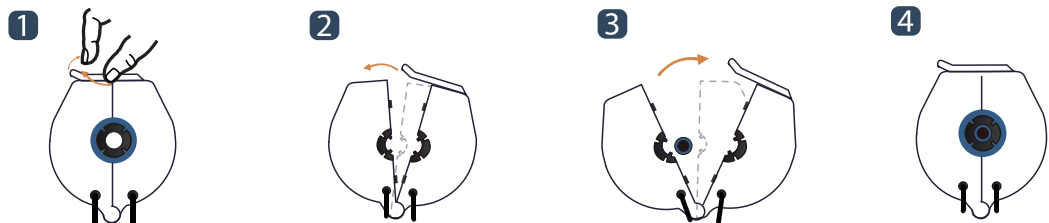
- $\varnothing 5 \sim \varnothing 8.5$ mm sensing aperture for non-contact measurement



### NOTICE

- Core contact surface is waterproofed, however if it gets rusty, you could reuse after removing rusts with spraying WD-40 or CRC5-56 on the rusted side.
- Do not use any other chemicals except WD-40 or CRC5-56 on housing or any parts.
- Additionally, CTs are deliverable with customized output lead cable.
- Silicone rubber reducing sleeves for central positioning of thinner conductors (5.5mm~6.5mm) are optional available.

### HOW TO USE

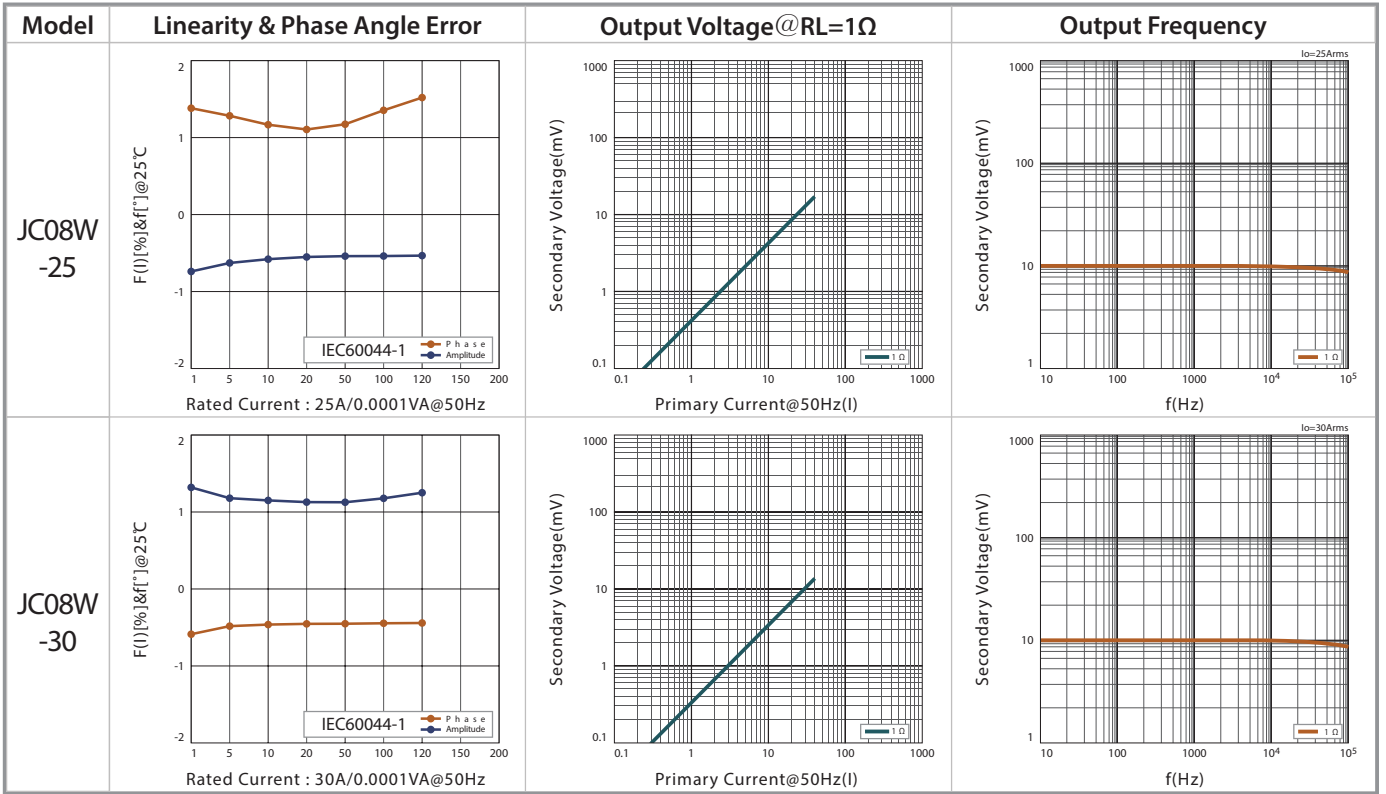


### SPECIFICATION

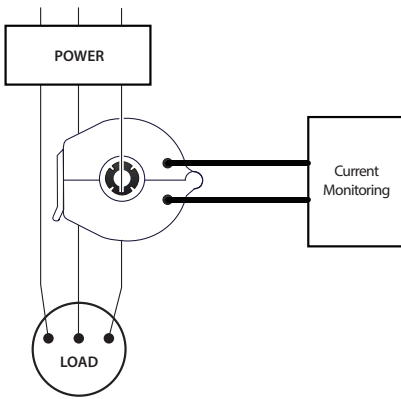
(F=50/60Hz)

Model	JC08W-25 $\varnothing 8.5$	JC08W-30 $\varnothing 8.5$
Current Ratio	25A/10mA	30A/10mA
Current Range	0.01~42A (RL=1 $\Omega$ )	0.01~45A (RL=1 $\Omega$ )
Max Continuous Current	70A	70A
Nominal Phase Angle Error	+1 $\pm$ 1 $^\circ$	+1 $\pm$ 1 $^\circ$
Nominal Linearity Error	-1.5 ~ $\pm$ 0.5%	-0.5 ~ $\pm$ 1%
Turns Ratio	2500:1	3000:1
DCR	200 $\pm$ 20 $\Omega$	240 $\pm$ 24 $\Omega$
Protection Level	Over-voltage protection circuit is not included, please pay careful attention during installation.	
Insulation Category	CAT III 600V AC / PD2	
Operating Condition	-20 $^\circ$ C~+50 $^\circ$ C, $\leq$ 85%RH, No condensation, In-house & Any direction installable	
Storage Condition	-30 $^\circ$ C~+90 $^\circ$ C, $\leq$ 85%RH, No condensation	

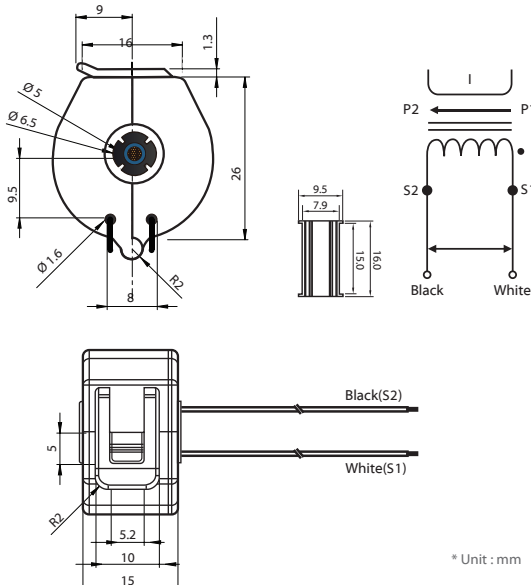
# ACCURACY DATA



# APPLICATIONS



# DIMENSIONS



**⚡ CAUTION: DANGER ⚠**

HAZARD OF ELECTRIC SHOCK, EXPLOSION, OR ARC FLASH

- In order to guarantee safe operation of the transformer, please read and understand the instructions thoroughly. For your reference, see NFPA 70E in the USA, or applicable local codes.
- This equipment must only be installed and put into operation by qualified electrical personnel or appropriately trained individual.
- Before servicing the CTs, turn off all sources of power and use a properly rated voltage sensing device to check if the power is off.
- Current transformer secondary must be shorted or connected to a burden all times.
- The transformer (split core type) must not be operated when it is not fully closed or the installation is not completed.
- Rearrange all covers and protective devices before powering the equipment.

**NOTICE**

- This product is not intentionally made for safety applications.
- Make sure not to install this transformer in hazardous or classified areas.
- The installer is responsible for conformance to all applicable codes.
- Ignoring the warnings can lead to serious injury and/or cause damages.
- A qualified person is the one who is skilled and has knowledge about the construction and operation of this electrical equipment, and has received safety training to recognize and avoid the hazards involved. (NEC2011 Article 100)
- If this product is used in a way not specified by the manufacturer, the protection offered by the product may be impaired. No responsibility is taken by J&D Electronics for any consequences arising by not following this material properly