

▼

BELMINT WATER FLOSSER

▲



www.belmint.com



support@belmint.com



1 (844) 423-5646



@belmintproducts



@belmintproducts

BELMINT WATER FLOSSER



▶ User Guide

 Model	 Voltage	 Power Consumption
BEL-CWF	110V - 220V	500 W

Congratulations on your purchase!

You're on your way to better oral health

Did you know that each of us have up to 200 different species of bacteria living inside of our mouths? Some of these little guys are beneficial to our health, but that can quickly change when things get out of hand. That's why it is so important to keep your mouth clean with proper tools and techniques.

Studies have shown that good dental hygiene can reduce the hazardous overgrowth of oral bacteria by over 90%! But just what is good dental hygiene? And how do we make that happen?

Wonder no more! This deluxe Water flosser from Belmint is the key to your oral health. We've taken the best dental tools from numerous professional models and combined them into one seamless, joyful experience for cleaner teeth and healthier gums. **Now, you can have that fresh 'just had my teeth shined' feeling in the comfort of your own home!**

Choose from six different flossing and brushing tips—perfect for working your way around dental implants, braces, and caps. In just 3 minutes, you'll have a set of squeaky-clean chompers.

And don't forget to show off your new smile! They're contagious, you know.

Shine on!

The Belmint Team

▶ Around here, smiles are never hard to find!

But good service shouldn't be

At Belmint, we strive to provide our customers with ultimate relaxation.

If you encounter any issues with the performance of your device, our authorized service personnel are here to help. Check back cover for information.

▶ What's in the Box?

- Belmint Water flosser
- Water reservoir
- 3 high-pressure tips
- Hydraulic, rotating toothbrush
- Periodontal tip
- Orthodontic tip
- Dental plaque tip
- Tongue cleaner

▶ Product Details

Dimensions

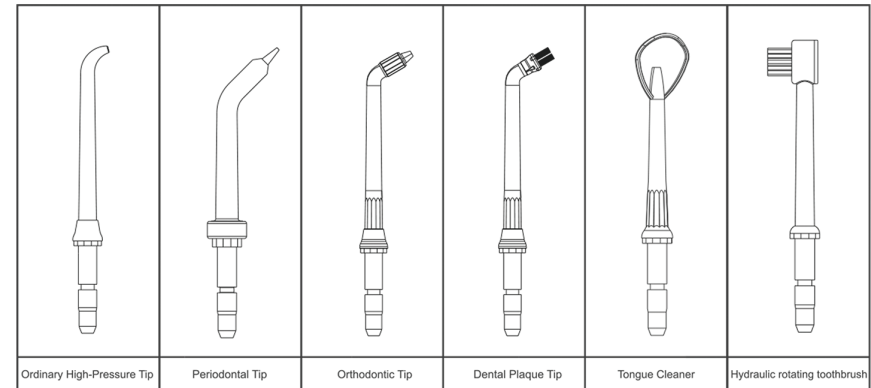
6.1*4.8*9.4 inch

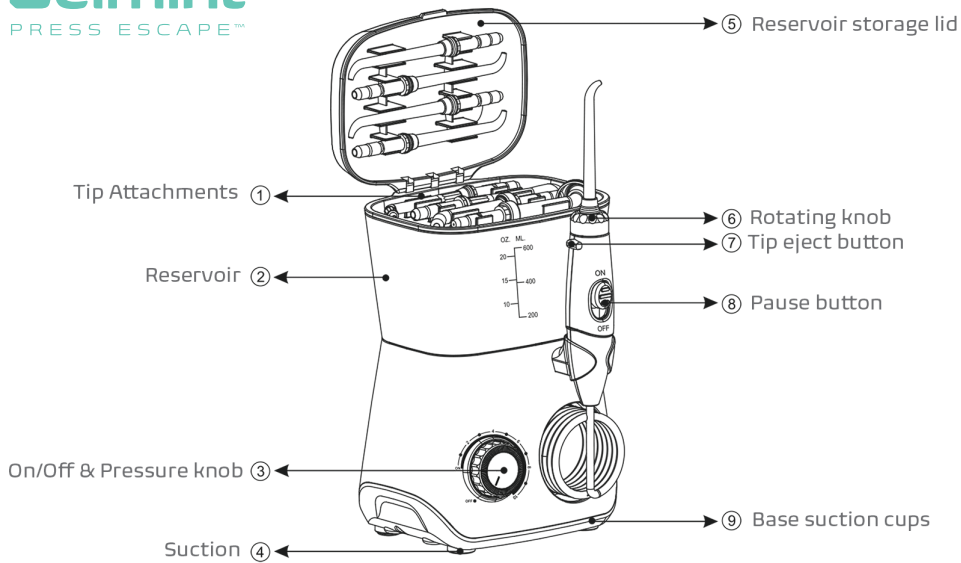
Weight

1.5/1.9 Lbs

Water Tank

600 ml





5. Place the device tip into your mouth, pointing the nozzle toward your teeth—at a 90° angle to your gum line. To reduce spillage, it is recommended that you lean over a sink or other similar basin before turning on the device.

6. Turn the On/Off knob one click clockwise to turn the device on.

7. Adjust the water pressure or speed to your preference by continuing to turn the On/Off knob clockwise or counterclockwise.

8. Direct the water stream around each tooth, working from back to front and pausing at the space between each tooth. To control the direction of the water, use your thumb and forefinger to turn the rotating knob at the base of the nozzle.

9. If you need to pause the stream at any time, simply slide the Pause button downward.

10. After 3 minutes, the device will automatically turn off. Or, you can turn the device off before then by turning the On/Off knob all the way to the left (counterclockwise).

11. When you are finished, make sure that the On/Off knob is set to "Off".

12. Empty the reservoir. Then clean and store the device according to the instructions on the booklet.

► Time to get grinning!

Using your device

1. Place your device on a flat, level surface near a polarized wall socket.

2. Remove the reservoir and fill it with lukewarm water.

3. Re-attach the reservoir to the base, making sure that it clicks firmly into place and that the lid is firmly closed.

4. Insert the desired dental tip into the water jet handle. When properly fastened, the colored ring at the bottom of the tip will be flush with the handle knob. To remove a current attachment, press the tip eject button while gently pulling on the tip. For more information on the different attachments, please refer to the next section.




Don't brush this off...


To prevent potential injury or property damage, please read this entire manual before operating your device. Keep it on file for future reference.

► Tip-Top Tips


More about your flosser attachments



High-Pressure Tip : This tried-and-true attachment is a fan favorite—designed to mimic traditional dental floss by flushing away food particles and bacteria below the gumline and between teeth. The high pressure stream also stimulates gum circulation with twice as much effectiveness as traditional flossing.



Periodontal Tip : Got sensitive gums? This periodontal tip is perfect for cleaning beneath the gum line and within periodontal pockets and furcations. The precision nozzle directs a gentle stream of water, carefully cleaning the most sensitive parts of your mouth. You can also add your liquid dental medication to the reservoir and use this attachment to apply it.



Orthodontic Tip : Use the specialized bristles on this attachment to clean bacteria and food particles trapped around braces and other dental work—removing three times as much plaque as traditional dental floss. The dual-action tip also releases a water jet to simultaneously wash away any particles that are brushed off the teeth.



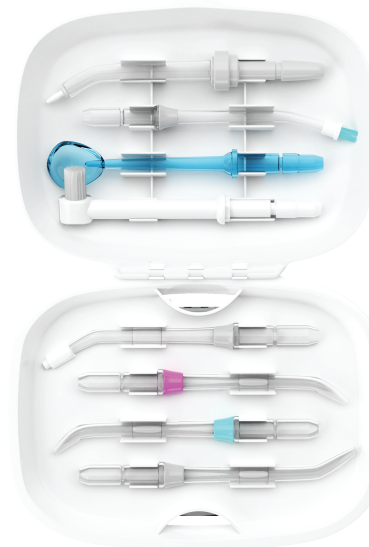
Dental Plaque Tip : For those with dental implants, crowns, bridges, and veneers, this plaque-busting tip has proven to be twice as effective as traditional flossing. Pulsating water and sturdy bristles work together to clean plaque and food debris off hard-to-reach areas, leaving your mouth feeling cleaner than you ever thought possible.



Tongue Cleaner : Gently move the edge of this attachment over the surface of your tongue (from back to front) to flush bacteria, dead oral cells, and food particles out of your mouth. Studies have shown that regular tongue cleaning can reduce bad breath by removing bacteria and sulfur compounds that have accumulated on the surface. It can also prevent halitosis.



Rotating Toothbrush : This attachment is an enhanced version of a traditional toothbrush, designed to clean on and between your teeth more efficiently. Use like any other electric toothbrush to wash away plaque, bacteria, and food particles while a gentle water stream rinses away any debris that you may have missed.



► **Show some love** Maintaining your Device

To Clean

1. Empty the reservoir of any remaining water
2. Rinse the reservoir with your desired, non-toxic cleaning solution. Your dentist can give you advice on which solution to choose.
3. Fill the reservoir with water again, aim the tip into your sink or basin, and turn the device back on. Continue to let the water flow through the nozzle until the reservoir is empty.
4. Clean the outside of the unit using a soft cloth and a mild, non-abrasive cleanser or lukewarm water to keep all vents, buttons, and openings free of lint and dirt. Do not immerse the unit in water.

To Store

1. Make sure that the device is clean, empty, and dry.

2. Bind the cord gently with an electrician-approved fastener. Do not wrap the cord around the device.

3. Store the device in a cool, dry place away from damaging elements. If you must store in freezing temperatures (even temporarily), be sure that the device is empty and dry first to prevent ice damage to the interior.

To Maintain

1. Replace the high pressure tip and the tongue cleaner every 6 months for optimal performance and sanitation.
2. For the orthodontic tip, periodontal tip, dental plaque tip, and rotating toothbrush, replace every 3 months.
3. To order new attachments, contact the Belmint Team using the information on back cover of this manual or you can go to belmint.com/tip.

► Keep the Peace

Troubleshooting Guide

Problem	Solution
Water leakage between the bottom of the tip attachment and the handle	Turn the device off. Remove the tip according to the instructions on Page 3 and reinstall
Water leakage from the irrigator hose.	Contact the Belmint Customer Support Team (Back Cover) to request a repair kit.
Water leakage from reservoir	Examine your device to ensure that the reservoir is securely fastened to the base, the lid is tightly shut, and the reservoir valve is fastened firmly in the correct position
Weak water pressure	Test or check that the outlet is getting full power. Make sure that the device is fully plugged in.
No water coming from the nozzle	Make sure the reservoir is full and that the device is on. The device will automatically shut off after 3 minutes of active use.

If any of these issues persist or if any part of the device becomes damaged, discontinue use and return to the service center for evaluation and repair. Do not attempt to modify or repair the unit yourself; doing so will nullify your purchase warranty and could risk your safety.

► Floss your worries away

How to prevent damage and injury

- Before each use, check your device for any damage, especially to the power cord or other electrical components.
- This device is not a toy. Keep out of reach of children and do not leave unattended. Do not allow dependents to use this device without supervision.
- For personal use only—as intended/directed. This device is not intended as a substitute for medical treatment. Anyone with a medical condition, recovering from surgery, or women who are pregnant/nursing should consult their doctor before using this device.
- Always unplug the device immediately after using.
- Do not use this device while bathing or place the device near where it could fall into a tub or sink. If the device does fall into water, unplug before retrieving.
- Do not use attachments not approved by the manufacturer.
- Keep the device away from heated surfaces.